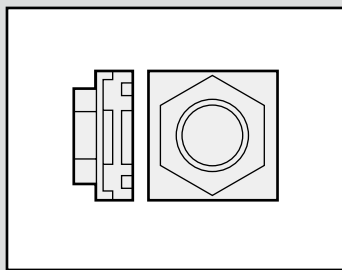


A100/A400/A800-W Series

● Port size: 1/8 to 1

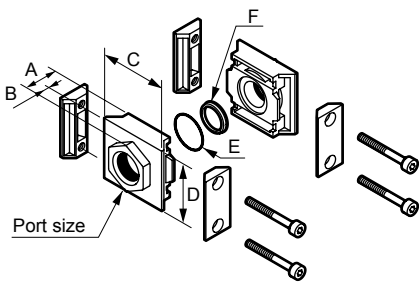


Dimensions and applications

Pipe adaptor set

- Model No.: A100-6, 8, 10-W
A400-8,10,15,20-W
A800-20,25,32-W

● Applications



· Material: Aluminum alloy die-casting
Painting

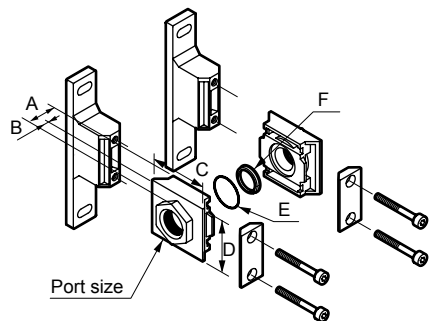
Model No.	Port size	Compatible model	A	B	C	D	E (O-ring)	F (gasket)	Others	Wt. (kg)
A100-6*-W	1/8	1000 Series	21.5	13.5	40	36	JASO-2013 1 pc.	1 pc.	-	0.09
A100-8*-W	1/4									
A100-10*-W	3/8									
A400-8*-W	1/4	2000 3000 Series	20	6 (11) {20}	50	45	JIS B 2401 P21 1 pc.	1 pc.	Numbers in () are for 3/4 Numbers in { } are for 1	0.16
A400-10*-W	3/8									
A400-15*-W	1/2									
A400-20*-W	3/4									
A400-25*-W	1									
A800-20*-W	3/4	6000 8000 Series	35 (38)	15 (18)	81	66	AS568-127 1 pc.	1 pc.	Numbers in () are for 1 1/4.	0.53
A800-25*-W	1									
A800-32*-W	1 1/4									

*Blank: Rc thread, N: NPT thread, G: G thread

Pipe adaptor set with T type bracket

- Model No.: A100-6, 8, 10-W-B11W
A400-8,10,15-W-B31W
A400-8,10,15,20-W-B41W
A800-20,25,32-W-B81W
(with T type bracket set)

● Applications



· Material: Aluminum alloy die-casting
Painting

Model No.	Port size	Compatible model	A	B	C	D	E (O-ring)	F (gasket)	Others	Wt. (kg)									
A100-6*-W-B11W	1/8	1000 Series	21.5	13.5	40	36	JASO-2013 1 pc.	1 pc.	-	0.11									
A100-8*-W-B11W	1/4																		
A100-10*-W-B11W	3/8																		
A400-8*-W-B31W	1/4	2000 3000 Series	20	6	50	45	JIS B 2401 P21 1 pc.	1 pc.	-	0.21									
A400-10*-W-B31W	3/8																		
A400-15*-W-B31W	1/2																		
A400-8*-W-B41W	1/4																		
A400-10*-W-B41W	3/8																		
A400-15*-W-B41W	1/2	4000 Series	20 (25) {34}	6 (11) {20}	50	45	JIS B 2401 P21 1 pc.	1 pc.	Numbers in () are for 3/4 Numbers in { } are for 1	0.21									
A400-20*-W-B41W	3/4																		
A400-25*-W-B41W	1																		
A800-20*-W-B81W	3/4										6000 8000 Series	35 (38)	15 (18)	81	66	AS568-127 1 pc.	1 pc.	Numbers in () are for 1 1/4.	0.61
A800-25*-W-B81W	1																		
A800-32*-W-B81W	1 1/4																		

*Blank: Rc thread, N: NPT thread, G: G thread