



Air filter medium pressure Standard White Series

FM3000-W/FM4000-W/FM6000-W/FM8000-W Series

F3000 to 8000 Series medium pressure specifications

● Port size: 1/4 to 1

JIS symbol



Specifications

Model No.	FM3000-W	FM4000-W	FM6000-W	FM8000-W
Appearance				
Working fluid	Compressed air			
Max. working pressure MPa	1.6 (≈230 psi, 16 bar) (*1, *2)			
Proof pressure MPa	2.4 (≈350 psi, 24 bar) (*2)			
Ambient temperature °C	-5 (23°F) to 60 (140°F) (no freezing) (*1, *2)			
Fluid temperature °C	5 (41°F) to 60 (140°F) (*1, *2)			
Filtration rating μm	5 or 0.3			
Drain capacity cm ³	45	80	80	80 (*3)
Port size Rc,NPT,G	1/4,3/8	1/4,3/8,1/2	3/4,1	3/4,1
Weight kg	0.35	0.55	1.0	1.26

*1: In the case of "F" with auto-drain, the min. working pressure of auto-drain is 0.1 MPa.

Air is purged with initial drainage until pressure reaches 0.1 MPa. The max. working pressure is 1.5 MPa, the proof pressure is 2.25 MPa, the ambient temperature is -5 to 45°C, and the fluid temperature is 5 to 45°C.

*2: In the case of "F1" with auto-drain, the min. working pressure of auto-drain is 0.15 MPa.

The max. working pressure is 1.5 MPa, the proof pressure is 2.25 MPa, the ambient temperature is -5 to 45°C, and the fluid temperature is 5 to 45°C.

*3: Up to 170 cm³ is stored with the manual drain cock only.

Option weight

* Add to the weight of the standard accessories.

Unit: kg

Code	Drain discharge		Attachment						Bracket
	F	F1	A8*W	A10*W	A15*W	A20*W	A25*W	A32*W	BW
FM3000	0.02	0.02	0.16	0.16	0.16				0.17
FM4000	0.02	0.02	0.16	0.16	0.16	0.16			0.21
FM6000	0.02	0.02				0.53	0.53	0.53	0.34
FM8000	0.02	0.02				0.53	0.53	0.53	0.36

How to order

FM3000 - **8** - **W** - **F** - **A8W**

A Model No.

(White type)

B Port size

C Port thread

D Option

E Display unit

F Other attachments

G Bracket (attachment)

* Refer to page 28 for the explanation of the option.

A Model No.			
FM3000	FM4000	FM6000	FM8000

Code	Content	FM3000	FM4000	FM6000	FM8000	
B Port size						
8	1/4	●	●			
10	3/8	●	●			
15	1/2		●			
20	3/4			●	●	
25	1			●	●	
C Port thread *1						
Blank	Rc thread	●	●	●	●	
N	NPT thread	●	●	●	●	
G	G thread	●	●	●	●	
D Option *2						
Drain discharge *3, *4	Blank	With manual drain cock	●	●	●	●
	F	NO auto-drain (no press→Exhaust) drain outlet Rc1/8 Max. working press 1.5 MPa, max. operating amb temp 45°C	●	●	●	●
	F1	NC auto-drain (no press→no exhaust) drain outlet Rc1/8 Max. working press 1.5 MPa, max. operating amb temp 45°C	●	●	●	●
Bowl material	Blank	Metal bowl	●	●	●	●
Element	Blank	5 μm	●	●	●	●
	Y	0.3 μm	●	●	●	●
Diff press detect	Blank	Without differential pressure detection port	●	●	●	●
	Q	With differential pressure detection port (Rc1/4)			●	●
Flow direction	Blank	Standard flow (left → right)	●	●	●	●
	X1	Reverse flow (right → left)	●	●	●	●
E Display unit						
Blank	MPa display, Rc thread	●	●	●	●	
J1	MPa display, NPT/G thread	●	●	●	●	
F Other attachments *5, *6 Page 270						
Blank	Not attached	●	●	●	●	
A8*W	1/4 pipe adaptor set	●	●			
A10*W	3/8 pipe adaptor set	●	●			
A15*W	1/2 pipe adaptor set	●	●			
A20*W	3/4 pipe adaptor set		●	●	●	
A25*W	1 pipe adaptor set			●	●	
A32*W	1 1/4 pipe adaptor set			●	●	
* Adaptor thread						
Blank	Rc thread	●	●	●	●	
N	NPT thread	●	●	●	●	
G	G thread	●	●	●	●	
G Bracket (attachment) Page 267						
Blank	Not attached	●	●	●	●	
BW	C type bracket	●	●	●	●	

⚠ Precautions for model No. selection

- *1 : NPT and G threads are available for IN, OUT, and drain ports.
- *2 : Select options for the drainage, bowl material, element and differential pressure detection. When selecting options for several items, list options in order from the top.
- *3 : Refer to page 280 for the auto-drain usage conditions.
- *4 : Only drain discharge "F" and "F1" of FM8000-W are large auto-drain.
- *5 : The pipe adaptor set and C type bracket cannot be used together.
- *6 : The joiner set is enclosed with the pipe adaptor set.

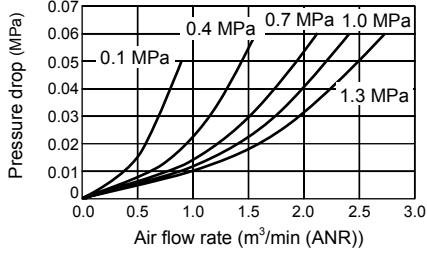
F.R.L
F (Filtr)
R (Reg)
L (Lub)
PresSW
Shutoff
SlowStart
FmResistFR
Oil-ProhR
MedPresFR
No Cu/PTFE FRL
Outdrs FR
F.R.L (Related)
CompFRL
LgFRL
PrecsR
VacF/R
Clean FR
ElecPneuR
AirBoost
SpdContr
Silncr
CheckV/other
Jnt/tube
AirUnt
PrecsCompn
Mech/ElecPresSw
ContactSW
AirSens
PresSW Cool
AirFloSens/Contr
WaterRtSens
TotAirSys (Total Air)
TotAirSys (Gamma)
RefrDry
DesicDry
HiPolymDry
MainFiltr
Dischrg etc
Ending

Air Filter Series

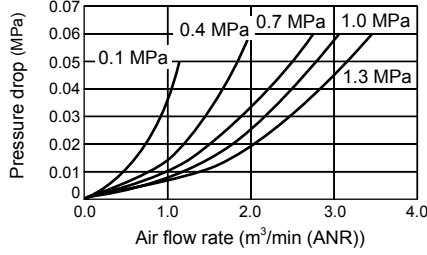
- F.R.L
- F (Filtr)
- R (Reg)
- L (Lub)
- PresSW
- Shutoff
- SlowStart
- FimResistFR
- Oil-ProHR
- MedPresFR
- No Cu/PTFE FRL
- Outdrs FR
- F.R.L (Related)
- CompFRL
- LgFRL
- PrecsR
- VacF/R
- Clean FR
- ElecPneuR
- AirBoost
- SpdContr
- Silncr
- CheckV/other
- Jnt/tube
- AirUnt
- PrecsCompn
- Mech/ElecPresSw
- ContactSW
- AirSens
- PresSW Cool
- AirFloSens/Contr
- WaterRtSens
- TotAirSys (Total Air)
- TotAirSys (Gamma)
- RefrDry
- DesicDry
- HiPolymDry
- MainFiltr
- Dischrg etc
- Ending

Flow characteristics

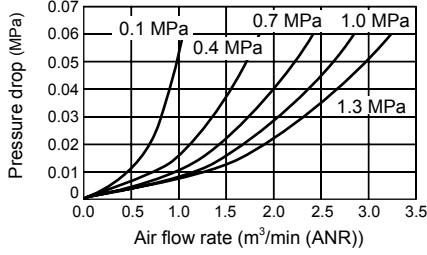
● FM3000-8-W



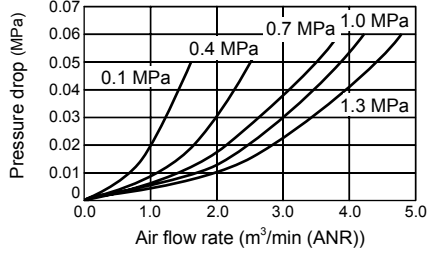
● FM3000-10-W



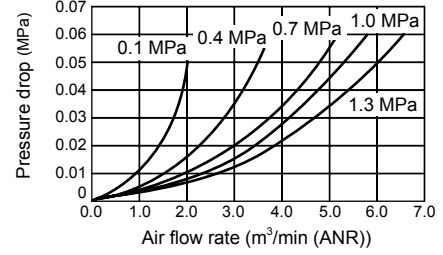
● FM4000-8-W



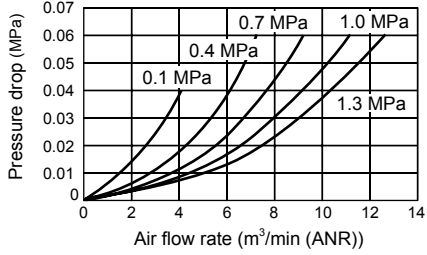
● FM4000-10-W



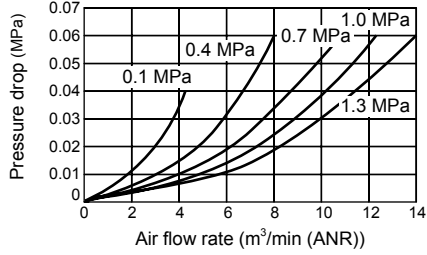
● FM4000-15-W



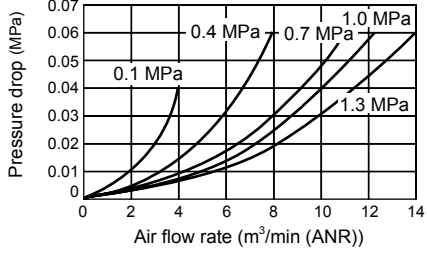
● FM6000-20-W



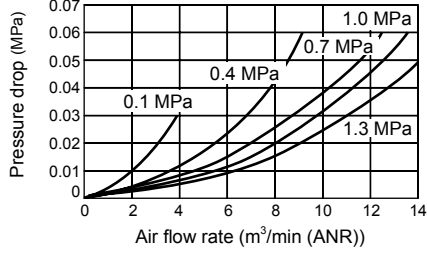
● FM6000-25-W



● FM8000-20-W



● FM8000-25-W



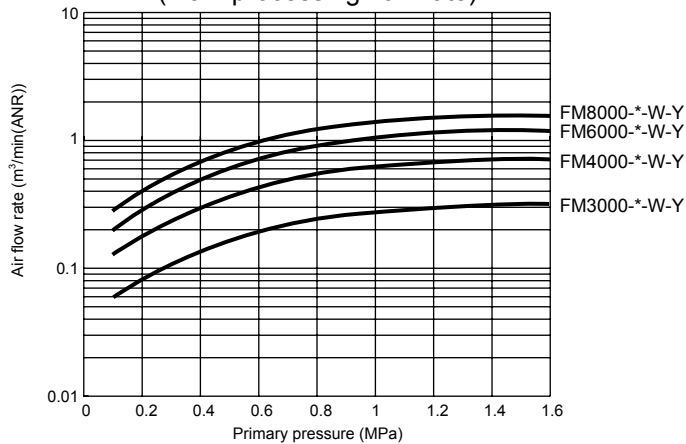
FM3000

● FM4000 *-W-Y (0.3 μm element)

FM6000

FM8000

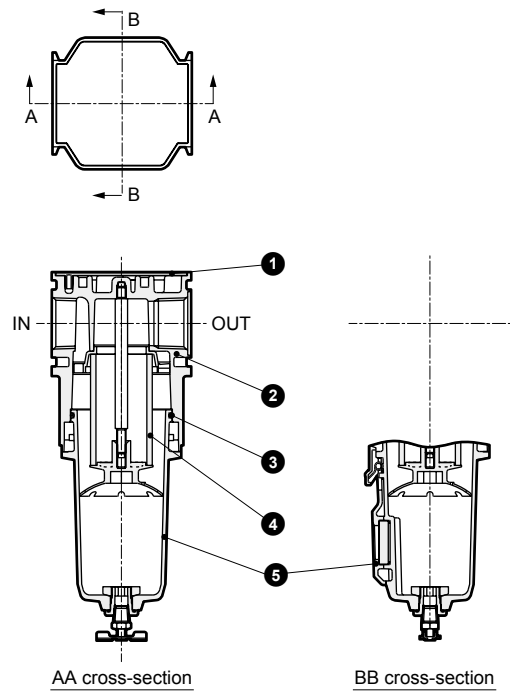
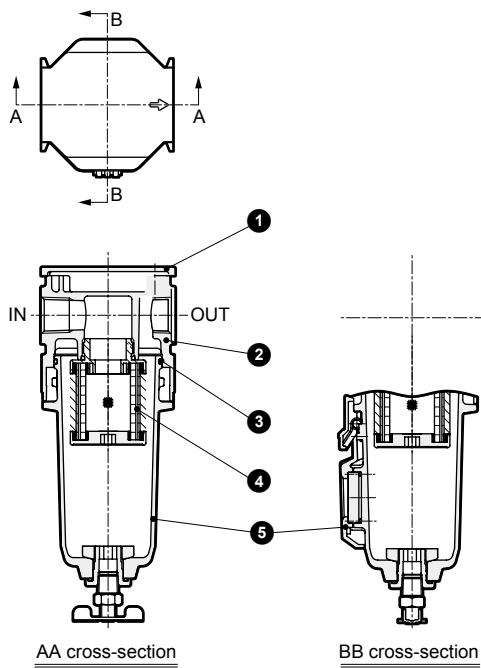
(Max. processing flow rate)



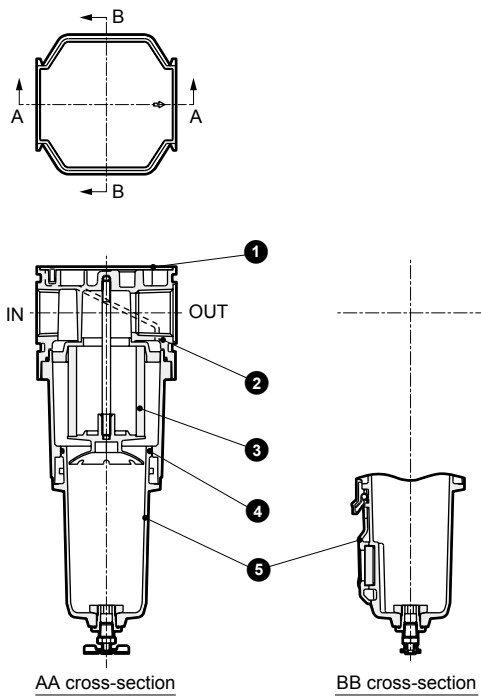
Internal structure and parts list

● FM3000-W/FM4000-W

● FM6000-W



● FM8000-W



No.	Part name	Material
(1)	Plate cover	ABS resin
(2)	Body	Aluminum alloy die-casting
(3)	O-ring	Special nitrile rubber
(4)	Element (5 μm)	Polypropylene
(4)	Element (0.3 μm)	-
(5)	Metal bowl assembly	Aluminum alloy die-casting, copper alloy, glass, nitrile rubber, steel, stainless steel

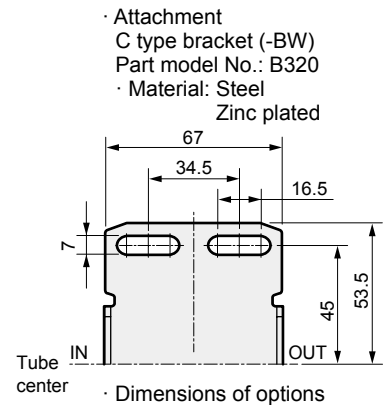
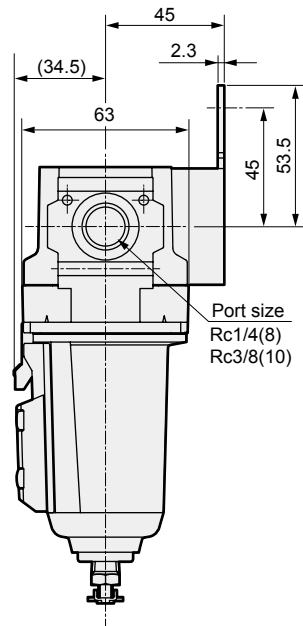
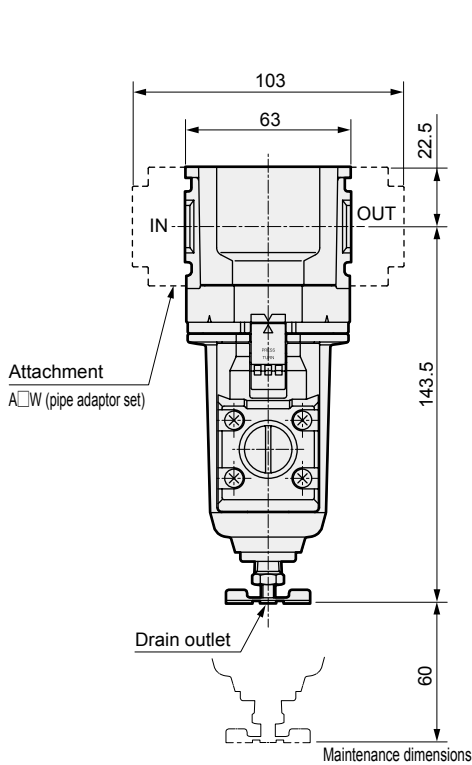
*1: Refer to pages 104 to 105 for repair parts element, repair kit and bowl assembly.

F.R.L
F (Filtr)
R (Reg)
L (Lub)
PresSW
Shutoff
SlowStart
FimResistFR
Oil-ProhR
MedPresFR
No Cu/ PTFE FRL
Outdrs FR
F.R.L (Related)
CompFRL
LgFRL
PrecsR
VacF/R
Clean FR
ElecPneuR
AirBoost
SpdContr
Silncr
CheckV/ other
Jnt/tube
AirUnt
PrecsCompn
Mech/ ElecPresSw
ContactSW
AirSens
PresSW Cool
AirFloSens/ Contr
WaterRtSens
TotAirSys (Total Air)
TotAirSys (Gamma)
RefrDry
DesicDry
HiPolymDry
MainFiltr
Dischrg etc
Ending

Air Filter Series

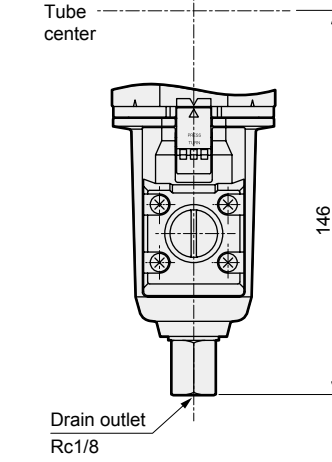
Dimensions

● FM3000-W

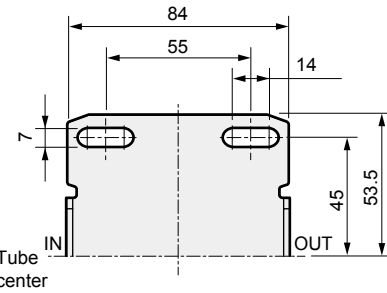


· Attachment
C type bracket (-BW)
Part model No.: B320
· Material: Steel
Zinc plated

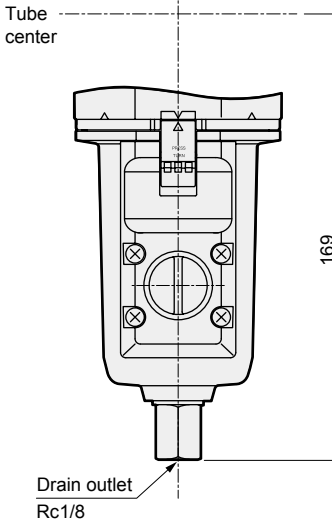
· Dimensions of options
Auto-drain (F, F1)



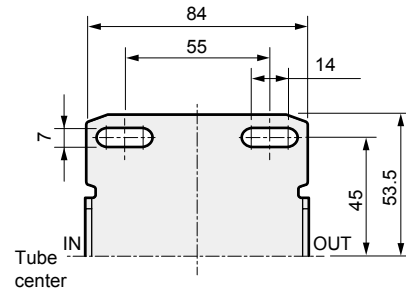
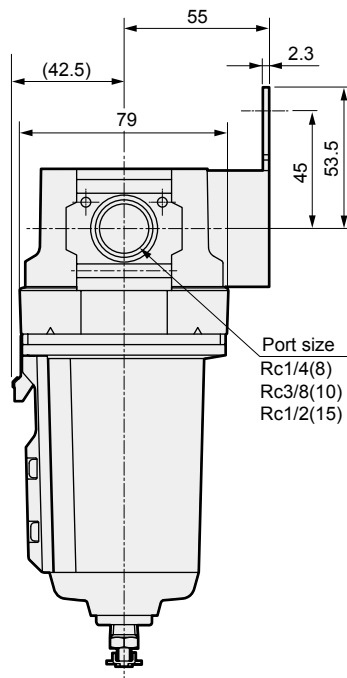
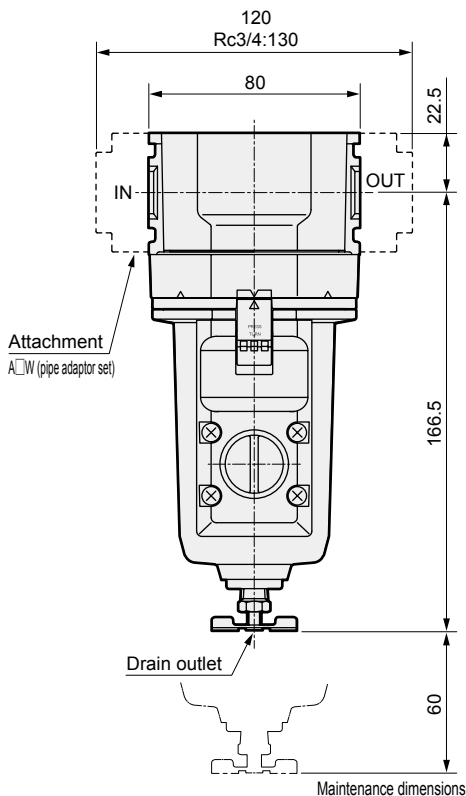
· Attachment
C type bracket (-BW)
Part model No.: B420
· Material: Steel
Zinc plated



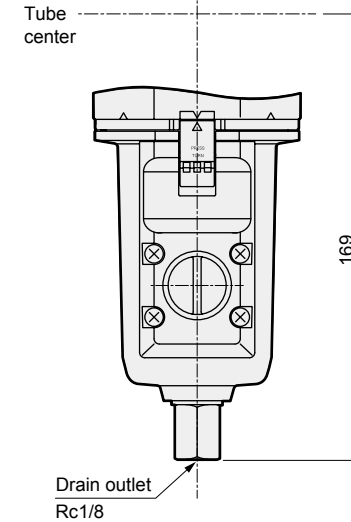
· Dimensions of options
Auto-drain (F, F1)



● FM4000-W



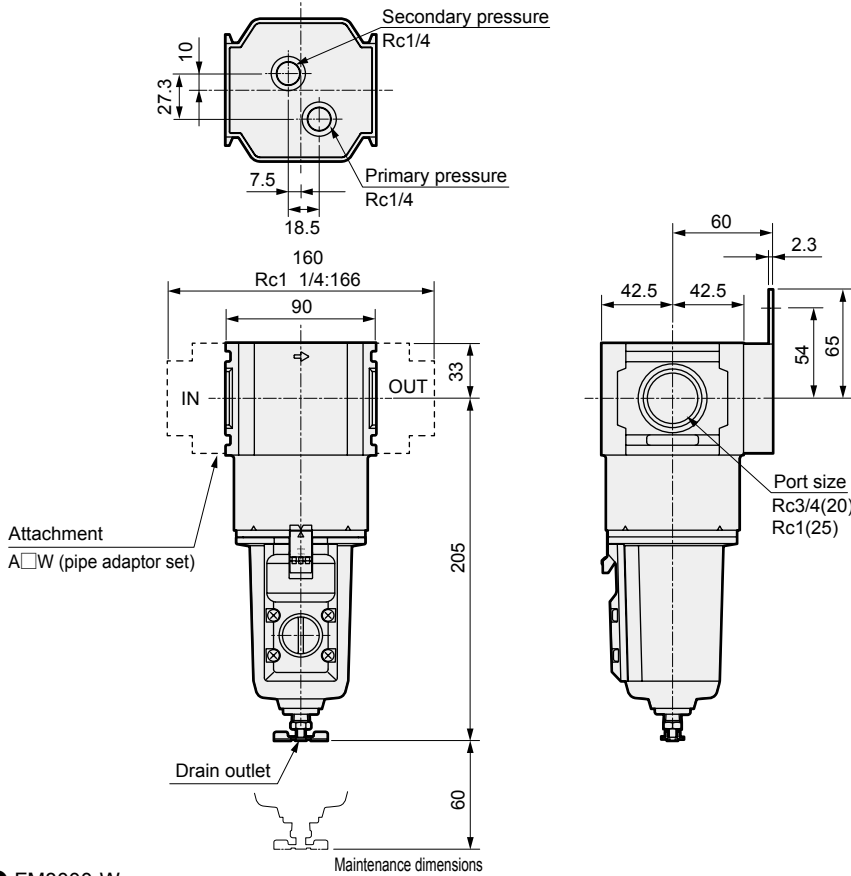
· Dimensions of options
Auto-drain (F, F1)



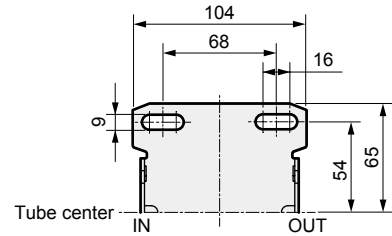
Dimensions

● FM6000-W

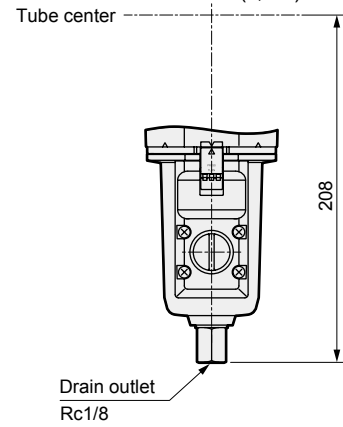
· Dimensions of options
With differential pressure detection port (Q)



· Attachment
C type bracket (-BW)
Part model No.: B620
· Material: Steel
Zinc plated

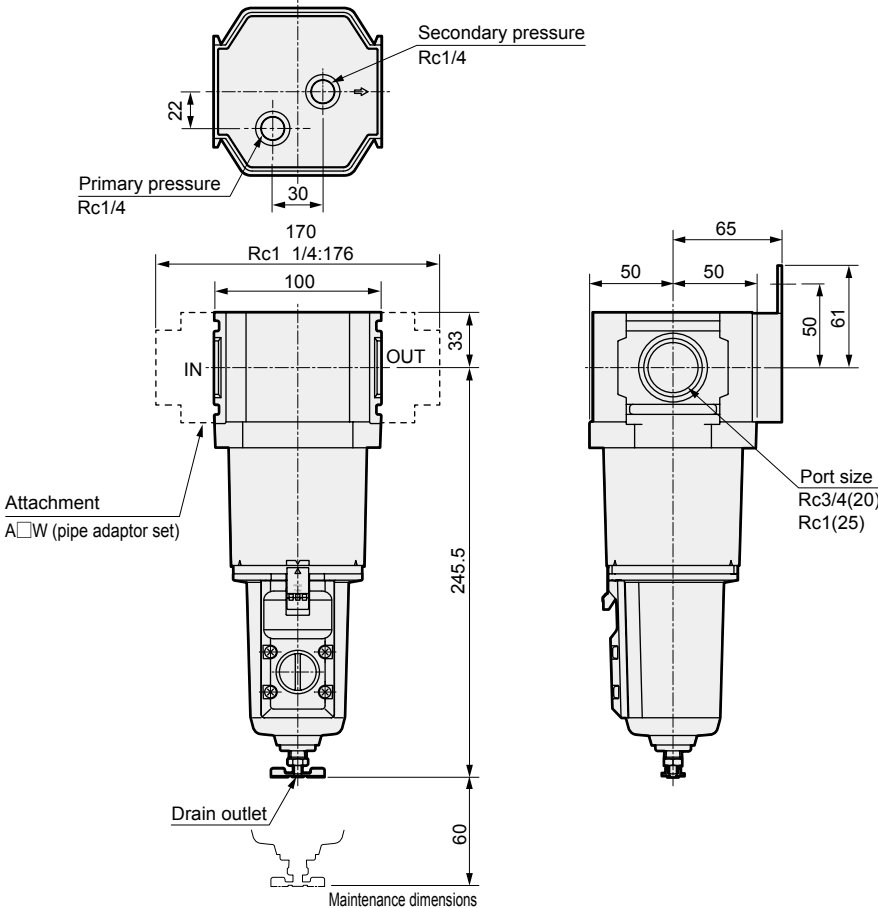


· Dimensions of options
Auto-drain (F, F1)

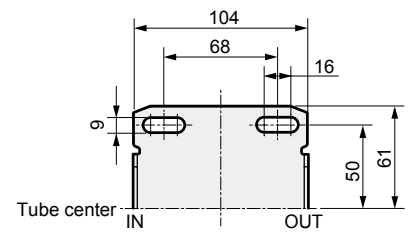


● FM8000-W

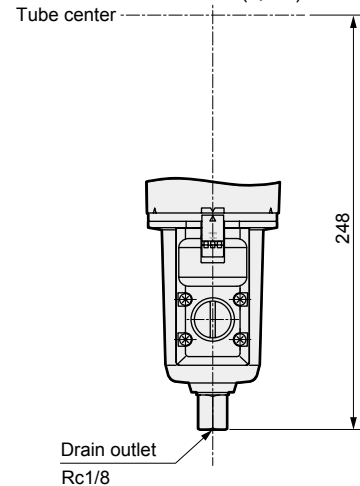
· Dimensions of options
With differential pressure detection port (Q)



· Attachment
C type bracket (-BW)
Part model No.: B820
· Material: Steel
Zinc plated



· Optional dimensions
Auto-drain (F, F1)



F.R.L
F (Filtr)
R (Reg)
L (Lub)
PresSW
Shutoff
SlowStart
FimResistFR
Oil-ProhR
MedPresFR
No Cu/ PTFE FRL
Outdrs FR
F.R.L (Related)
CompFRL
LgFRL
PrecsR
VacF/R
Clean FR
ElecPneuR
AirBoost
SpdContr
Silncr
CheckV/ other
Jnt/tube
AirUnt
PrecsCompn
Mech/ ElecPresSw
ContactSW
AirSens
PresSW Cool
AirFloSens/ Contr
WaterRtSens
TotAirSys (Total Air)
TotAirSys (Gamma)
RefrDry
DesicDry
HiPolymDry
MainFiltr
Dischrg etc
Ending