

Air filter Outdoor series

FW4000/FW8000-W Series

A series of outdoor specification products.

● Port size: 1/4 to 1

JIS symbol



Specifications

Descriptions	FW4000-W	FW8000-W
Working fluid	Compressed air	
Max. working pressure MPa	1.0 *1, 2	
Proof pressure MPa	1.5	
Fluid temperature °C	5 to 60	
Ambient temperature °C	-10 to 60 (no freezing)	
Filtration μm	5 or 0.3	
Drain capacity cm ³	80	80 (*3)
Port size Rc, NPT, G	1/4, 3/8, 1/2	3/4, 1
Weight kg	0.55	1.26

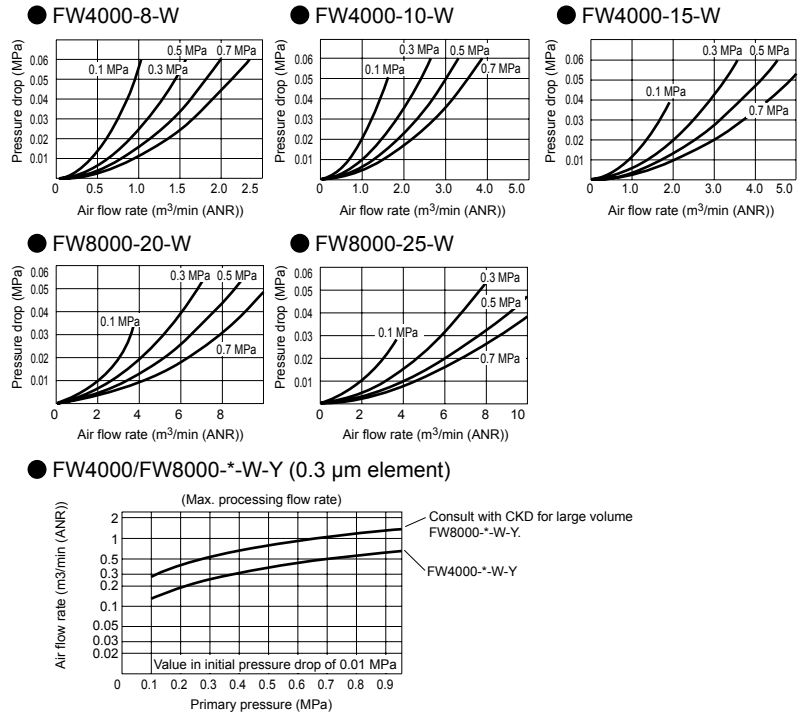
- *1: In the case of "F" with auto-drain, the min. working pressure of auto-drain is 0.1 MPa. Air is purged with initial drainage until pressure reaches 0.1 MPa.
- *2: In the case of "F1" with auto-drain, the min. working pressure of auto-drain is 0.15 MPa.
- *3: Up to 170 cm³ is stored with the manual cock only.

Option weight

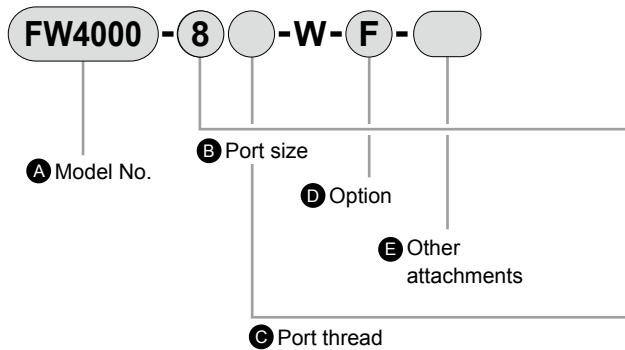
* Add to the weight of the standard accessories. Unit: kg

Code	Drain discharge		Attachment
	F	F1	BW
FW4000	0.02	0.02	0.21
FW8000	0.02	0.02	0.36

Flow characteristics



How to order



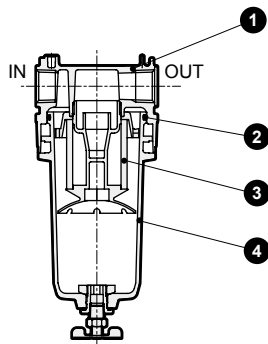
		A Model No.	
		FW4000	FW8000
B Port size			
8	1/4	●	
10	3/8	●	
15	1/2	●	
20	3/4		●
25	1		●
C Port thread			*1 *2
Blank	Rc thread (pressure unit: MPa temperature display unit: °C)	●	●
N	NPT thread (pressure unit: psi temperature display unit: °F)	●	●
G	G thread (pressure unit: bar temperature display unit: °C)	●	●
D Option			*3
Drain discharge	Blank	With manual cock	● ●
	F	Auto-drain with manual override (NO: Exhaust when not pressurized)	● ●
	F1	Auto-drain with manual override (NC: No exhaust when not pressurized)	● ●
Element	Blank	5 μm	● ●
	Y	0.3 μm (Submicron)	● ●
Warranty period	Blank	1 year after delivery	● ●
	G	3 years after delivery (with inspection certificate, inspection guidelines, drawings, specifications, traceability system diagram) *5 *6	● ●
Flow direction	Blank	Standard flow (left → right)	● ●
	X1	Reverse flow (right → left)	● ●
E Other attachments			
Blank	Not attached	●	●
BW	C bracket	●	●

⚠ Precautions for model No. selection

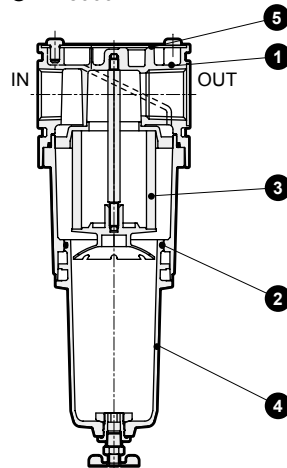
- *1: G and NPT threads are available for IN, OUT and drain outlet of auto-drain.
- *2: NPT and G threads are sold for overseas use. Select the Rc thread in the case of those for the Japanese market. (In the case of those for the Japanese market, the pressure unit must be MPa and temperature display must be °C due to the Measurement Act.)
- *3: Select options for the drainage, element, warranty period and flow direction. When selecting options for several items, list options in order from the top.
- *4: Refer to "Pneumatic, Vacuum, and Auxiliary Components (Catalog No. CB-024SA)" for the auto-drain use conditions.
- *5: The warranty period of option G is 3 years from the date of delivery or 1 year from initial use, whichever comes first.
- *6: For option G, the specifications must be agreed upon.

Internal structure and parts list

● FW4000-W



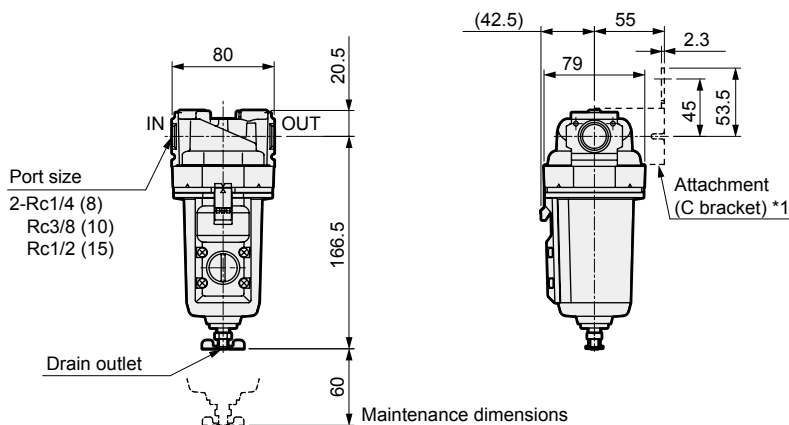
● FW8000-W



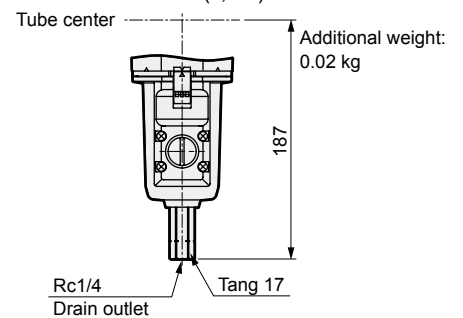
No.	Part name	Material
1	Body	Aluminum alloy die-casting
2	O-ring	Special nitrile rubber
3	Element	Polypropylene
4	Metal cup assembly	Aluminum alloy die-casting, copper alloy, zinc alloy die-casting, nitrile rubber
5	Plate cover	Aluminum

Dimensions

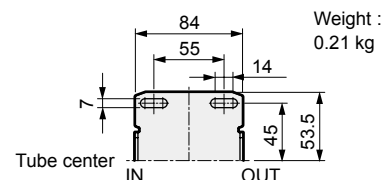
● FW4000-W



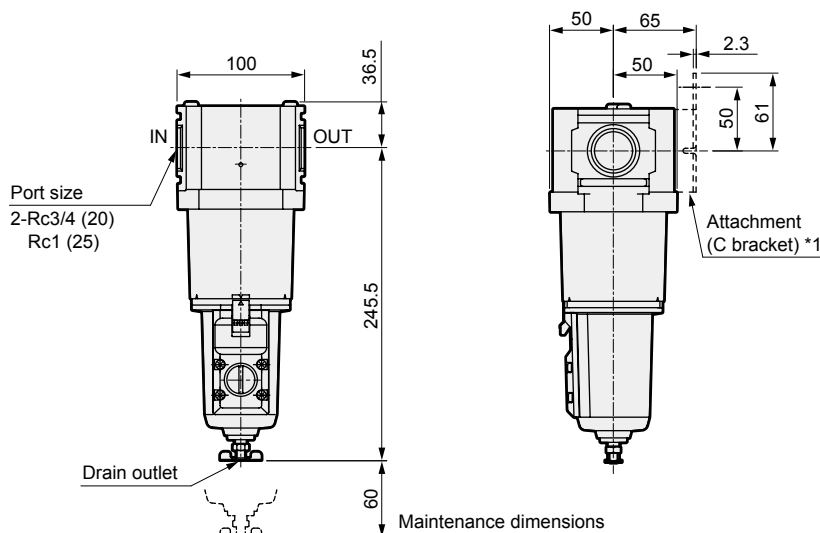
• Optional dimensions
With auto-drain (F, F1)



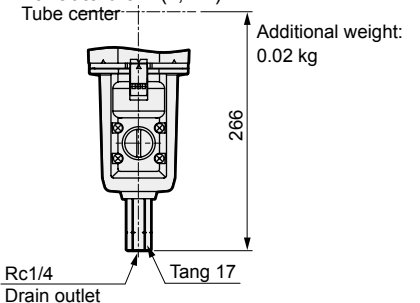
• Attachment
C bracket (-BW)
Part model No.: B420



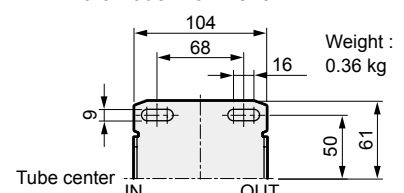
● FW8000-W



• Optional dimensions
With auto-drain (F, F1)



• Attachment
C bracket (-BW)
Part model No.: B820



*1: Bracket is optionally attached.