

Regulator for outdoor use

RW4000/RW8000-W Series

A series of outdoor specification products.

● Port size: 1/4 to 1

JIS symbol



Specifications

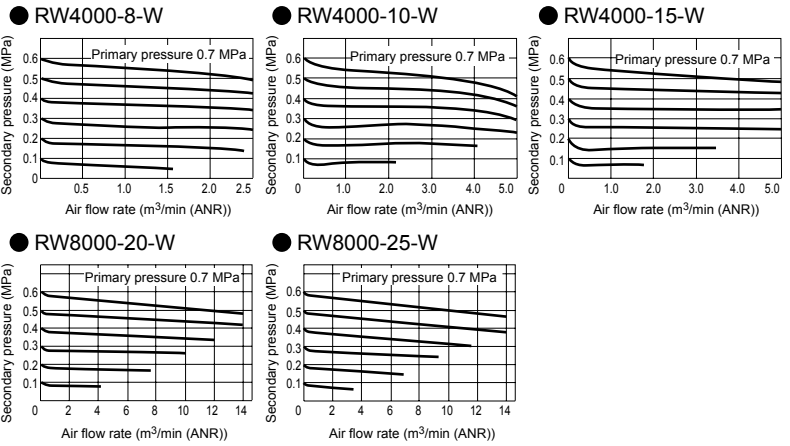
Descriptions	RW4000-W	RW8000-W
Working fluid	Compressed air	
Max. working pressure MPa	1.0	
Proof pressure MPa	1.5	
Fluid temperature °C	5 to 60	
Ambient temperature °C	-10 to 60 (no freezing)	
Set pressure MPa	0.05 to 0.85	
Relief	With relief mechanism	
Port size Rc, NPT, G	1/4, 3/8, 1/2	3/4, 1
Weight kg	0.75	1.65

Option weight

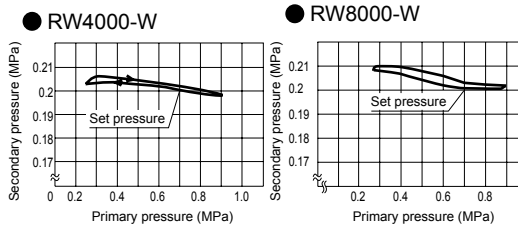
* Add to the weight of the standard accessories. Unit: kg

Code	Knob	Attachment
	K	BW
RW4000	0.1	0.21
RW8000	0.1	0.36

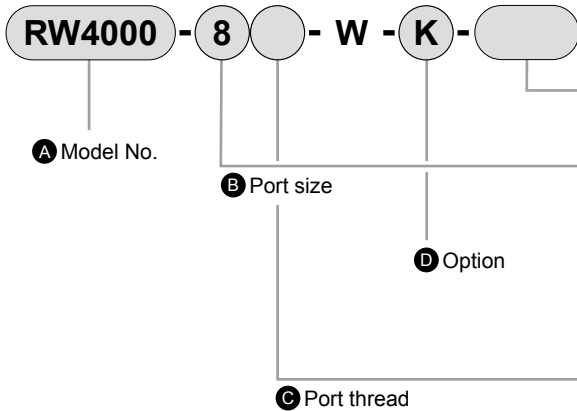
Flow characteristics



Pressure characteristics



How to order



		A Model No.		
		RW4000	RW8000	
E Other attachments				
Code	Content			
B Port size				
8	1/4	●		
10	3/8	●		
15	1/2	●		
20	3/4		●	
25	1		●	
C Port thread *1 *2				
Blank	Rc thread (pressure unit: MPa temperature display unit: °C)	●	●	
N	NPT thread (pressure unit: psi temperature display unit: °F)	●	●	
G	G thread (pressure unit: bar temperature display unit: °C)	●	●	
D Option *3 *4				
Knob	Blank	Without knob	●	●
	K	With knob	●	●
Warranty period	Blank	1 year after delivery	●	●
	G	3 years after delivery (with inspection certificate, inspection guidelines, drawings, specifications, traceability system diagram)	●	●
Flow direction	Blank	Standard flow (left → right)	●	●
	X1	Reverse flow (right → left)	●	●
E Other attachments				
Blank	Not attached	●	●	
BW	C bracket	●	●	
GW49P	Pressure gauge (GW49D-6-P10) *6	●	●	

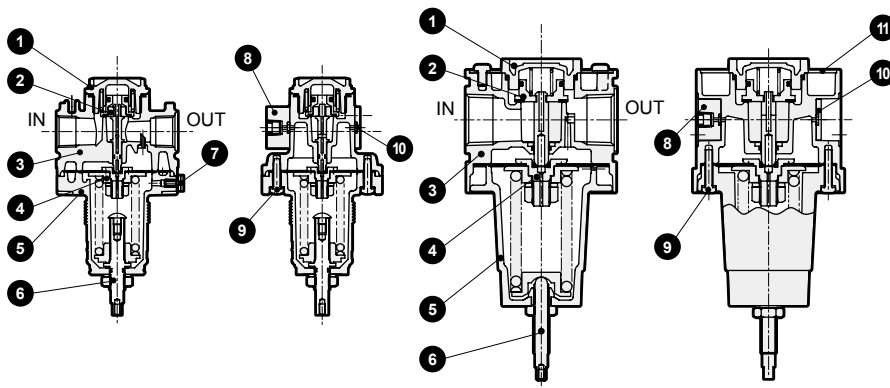
⚠ Precautions for model No. selection

- *1: G threads and NPT threads are available for IN, OUT and gauge ports.
- *2: NPT and G threads are sold for overseas use. Select the Rc thread in the case of those for the Japanese market. (In the case of those for the Japanese market, the pressure unit must be MPa and temperature display must be °C due to the Measurement Act.)
- *3: Select options for the knob, warranty period and flow direction. When selecting options for several items, list options in order from the top.
- *4: The warranty period of option G is 3 years from the date of delivery or 1 year from initial use, whichever comes first.
- *5: For option G, the specifications must be agreed upon.
- *6: The pressure gauge cannot be attached when using NPT threads or G threads. (Consult with CKD if required.)

Internal structure and parts list

● RW4000-W

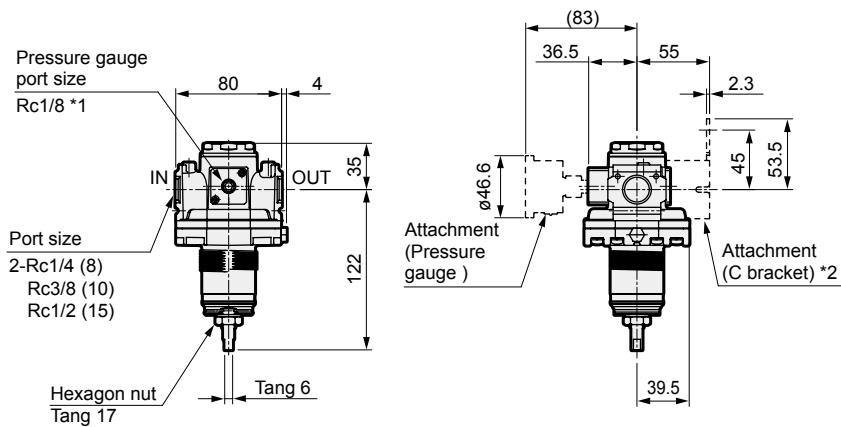
● RW8000-W



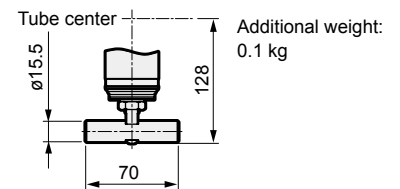
No.	Part name	Material
1	Bottom plug	Aluminum alloy die-casting
2	Valve assembly	Copper alloy, hydrogenated nitrile rubber (polyacetal resin: RW4000 only)
3	Body	Aluminum alloy die-casting
4	Diaphragm assembly	Stainless steel, nitrile rubber, aluminum
5	Cover	Aluminum alloy die-casting
6	Adjusting screw assembly	Stainless steel (nitrile rubber, polyacetal resin: RW4000 only)
7	Adaptor	Stainless steel
8	Gauge plug assembly	Aluminum, nitrile rubber, stainless steel
9	Screws	Stainless steel
10	Seal plug assembly	Aluminum, nitrile rubber, stainless steel
11	Plate cover	Aluminum

Dimensions

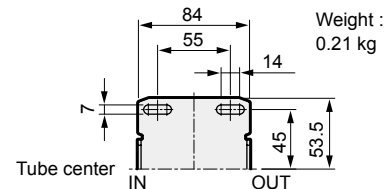
● RW4000-W



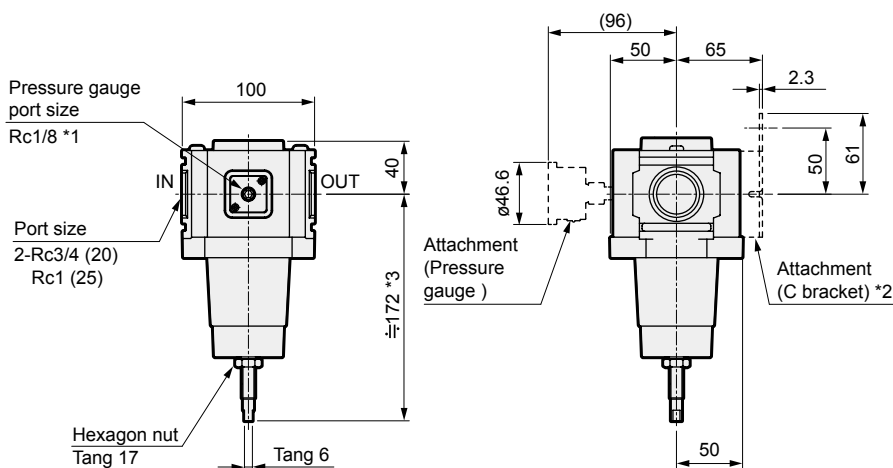
• Optional dimensions
With knob (K)



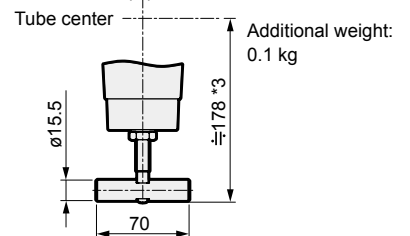
• Attachment
C bracket (-BW)
Part model No.: B420



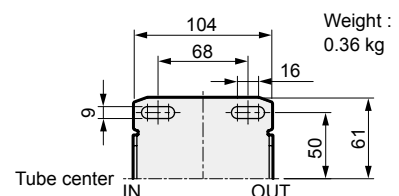
● RW8000-W



• Optional dimensions
With knob (K)



• Attachment
C bracket (-BW)
Part model No.: B820



- *1: The pressure gauge connection port is left open when shipped. Use the attached pipe plug when sealing.
- *2: Bracket is optionally attached.
- *3: Dimensions at the setting pressure of 0 MPa