



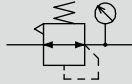
Compact piston regulator

RA800 Series

Regulator with small size, light weight and improved operation.

● Port size: Rc1/8, Rc1/4

JIS symbol



Specifications

Descriptions		RA800	
Working fluid		Compressed air	
Max. working pressure MPa		1.0 (≈150 psi, 10 bar)	
Proof pressure MPa		1.5 (≈220 psi, 15 bar)	
Ambient/fluid temp °C		5 (41°F) to 60 (140°F)	
Set pressure MPa		0.05 (≈7.3 psi, 0.5 bar) to 0.85 (≈120 psi, 8.5 bar)	
Pressure relief		With relief mechanism	
Port size	IN/OUT	Rc1/8	Rc1/4
	GAUGE	Rc1/4	
Weight g		110	

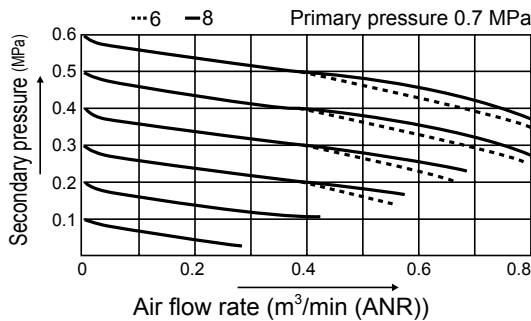
Option weight

* Add to the weight of the standard accessories.

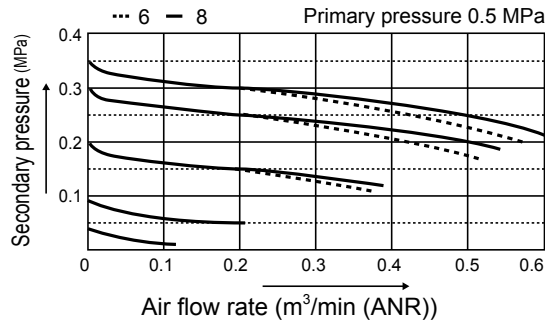
G	Pressure gauge	86 g
B	Bracket	30 g

Flow characteristics

● For standard

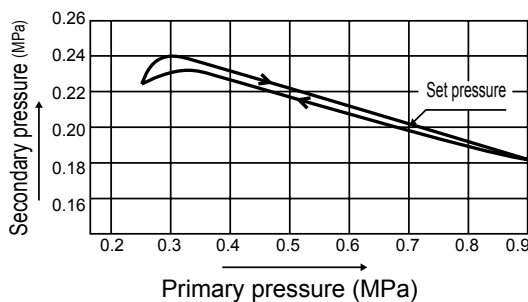


● For low pressure: L



* Air flow rate is shown with atmospheric pressure conversion value m³/min. (ANR).

Pressure characteristics



How to order

RA800 - 6 - P - G

Model No.

A Port size

B Option
*1

C Attached product

Code	Content	
A Port size		
6	Rc1/8	
8	Rc1/4	
B Option		
Panel mount *2	Blank	Without nut
	P	With nut
Pressure range	Blank	0.05 to 0.85 MPa (Pressure gauge: G49D-8-P10)
	L	0.05 to 0.35 MPa (Pressure gauge: G49D-8-P04)
Pressure relief	Blank	Relief
	N	Non-relief
C Attached product		
Blank	None	
G	*3	Pressure gauge (G49D-8-P10)
B	*2	Bracket (RA800-BA083)

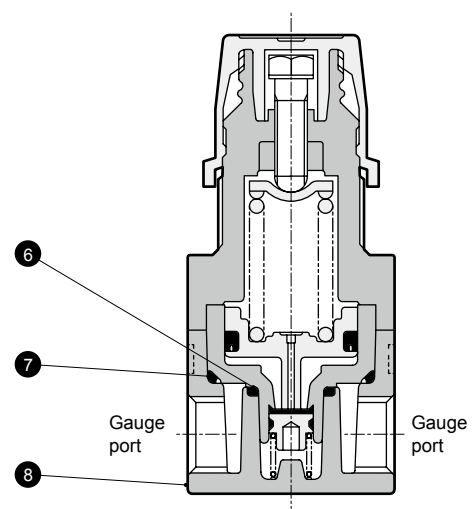
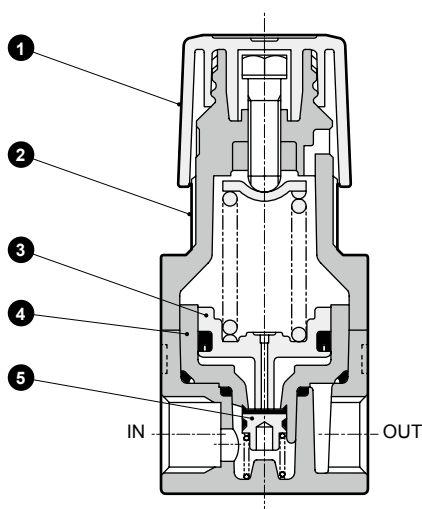
⚠ Precautions for model No. selection

*1: When selecting options for several items, list options in order from the top.

*2: "B" bracket attached is available only for option code P (panel mount).

*3: If "L" is selected for the pressure range option, the low-pressure gauge (G49D-8-P04) will be used.

Internal structure and parts list

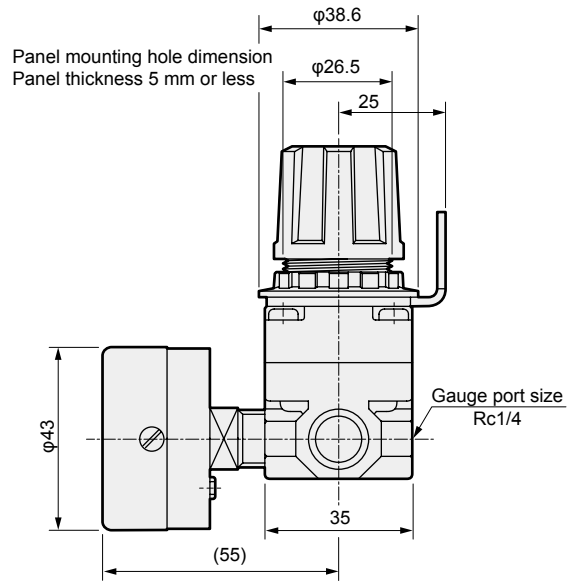
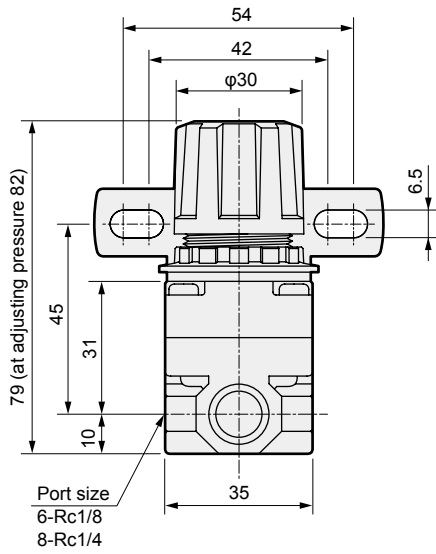


No.	Part name	Material	No.	Part name	Material
1	Knob	Polyacetal resin	5	Valve element	Copper alloy/hydrogenated nitrile rubber
2	Cover	Polyamide resin	6	O-ring	Nitrile rubber
3	Piston assembly	Polyacetal resin, nitrile rubber	7	O-ring	Nitrile rubber
4	Piston guide	Polyphenylene sulfide resin	8	Body	Aluminum alloy die-casting

F.R.L
F (Filtr)
R (Reg)
L (Lub)
PresSW
Shutoff
SlowStart
FimResistFR
Oil-ProhR
MedPresFR
No Cu/ PTFE FRL
Outdrs FR
F.R.L (Related)
CompFRL
LgFRL
PrecsR
VacF/R
Clean FR
ElecPneuR
AirBoost
SpdContr
Silncr
CheckV/ other
Jnt/tube
AirUnt
PresCompn
Mech/ ElecPresSw
ContactSW
AirSens
PresSW Cool
AirFloSens/ Contr
WaterRISens
TotAirSys (Total Air)
TotAirSys (Gamma)
RefrDry
DesicDry
HiPolymDry
MainFiltr
Dischrg etc
Ending

RA800 Series

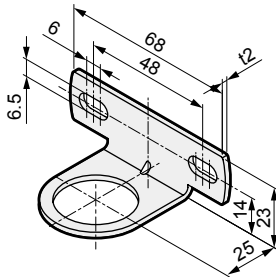
Dimensions



* B: bracket, G: pressure gauge, P: panel mount are optional.

● Bracket: RA800-BA083

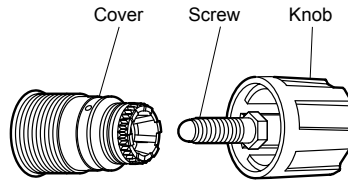
· Material: Steel
Zinc plated



- F.R.L
- F (Filtr)
- R (Reg)
- L (Lub)
- PresSW
- Shutoff
- SlowStart
- FimResistFR
- Oil-ProhR
- MedPresFR
- No Cu/
PTFE FRL
- Outdrs FR
- F.R.L
(Related)
- CompFRL
- LgFRL
- PrecsR
- VacF/R
- Clean FR
- ElecPneuR
- AirBoost
- SpdContr
- Silncr
- CheckV/
other
- Jnt/tube
- AirUnt
- PrecsCompn
- Mech/
ElecPresSw
- ContactSW
- AirSens
- PresSW
Cool
- AirFloSens/
Contr
- WaterRtSens
- TotAirSys
(Total Air)
- TotAirSys
(Gamma)
- RefrDry
- DesicDry
- HiPolymDry
- MainFiltr
- Dischrg
etc
- Ending

⚠ Cautions for use and maintenance

To install this product on a panel or wall bracket, when disassembling the knob, if the screw has come out, insert the screw into the knob or the cover until it clicks.



F.R.L
F (Filtr)
R (Reg)
L (Lub)
PresSW
Shutoff
SlowStart
FimResistFR
Oil-ProhR
MedPresFR
No Cu/ PTFE FRL
Outdrs FR
F.R.L (Related)
CompFRL
LgFRL
PrecsR
VacF/R
Clean FR
ElecPneuR
AirBoost
SpdContr
Silncr
CheckV/ other
Jnt/tube
AirUnt
PrecsCompn
Mech/ ElecPresSw
ContactSW
AirSens
PresSW Cool
AirFloSens/ Contr
WaterRtSens
TotAirSys (Total Air)
TotAirSys (Gamma)
RefrDry
DesicDry
HiPolymDry
MainFiltr
Dischrg etc
Ending