



Reed switch compact mechanical pressure switch Standard White Series

P1100-W/P4100-W/P8100-W Series

· Compatible with module connection to SELEX F.R.L.

JIS symbol 



Specifications

Descriptions	P1100-W	P4100-W	P8100-W
Working fluid	Compressed air		
Max. working pressure MPa	1.0 (≈150 psi, 10 bar)		
Set pressure MPa	0.1 (≈15 psi, 1 bar) to 0.6 (≈87 psi, 6 bar)		
Hysteresis MPa	0.08 (≈12 psi, 0.8 bar) or less		
Repeatability MPa	±0.02 (≈2.9 psi, 0.2 bar) or less		
Contact array	1a *1		
Wiring	Lead wire (oil resistant vinyl cabtyre cord 2-conductor 0.2 mm ²)		
Ambient / fluid temperatures	5 (41°F) to 60 (140°F)		
Degree of protection *2	IP20 or equivalent		
Product weight (excluding joiner) kg	0.13	0.19	0.41

*1: The contact turns ON if air pressure exceeding the scale set pressure is applied.

*2: Note that when connecting an option fitting into the atmospheric pressure inlet port and extend the tube until water does not enter, IP65 or equivalent is applied. Not for outdoor use.

Wiring section specifications

Load voltage	12/24 VDC	100 VAC
Load current	5 to 50 mA	7 to 20 mA
Internal voltage drop	3 V or less	
Light	LED (Lit when ON)	
Max. shock resistance	294 m/S ²	
Insulation resistance	20 MΩ and over at 500 VDC megger	
Withstand voltage	No failure after 1 minute of 1,000 VAC application.	

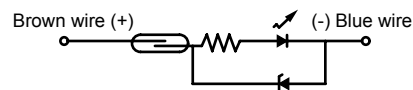
Option weight

* Add to the weight of the standard accessories.

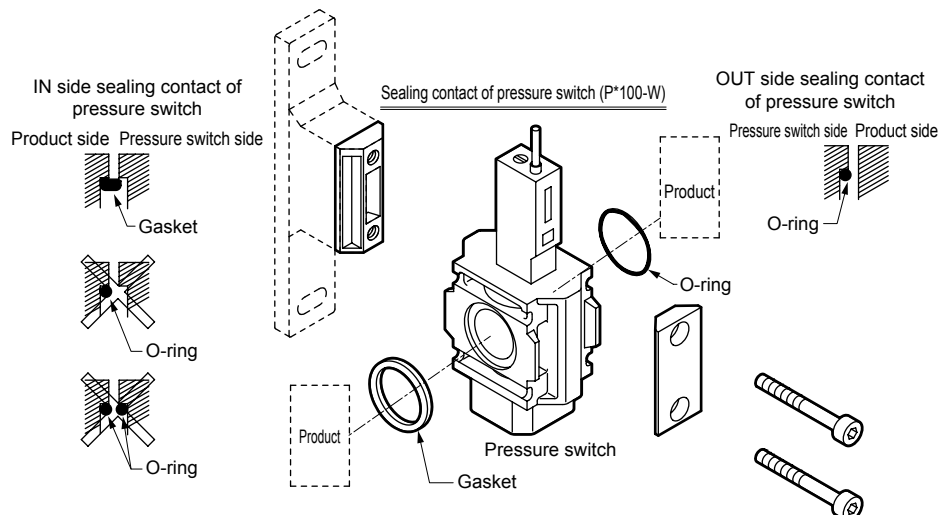
Unit: g

Code	Attachment					Lead wire length		
	Blank	B11W	B31W	B41W	B81W	4	3	5
P1100	11	24				2	30	60
P4100	36		86	94		2	30	60
P8100	94				170	2	30	60

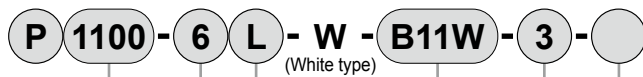
Internal circuit diagram



How to assemble (P1100-W, P4100-W, P8100-W)



How to order (modular design)



A Series model No.

B Port size

C Branch direction

D Attachment

E Length of lead wire

F Option

⚠ Precautions for model No. selection

- *1 : This is used for intermediate connection of the module series so the module connection section is not threaded.
- *2 : A masking plug matching the port size is enclosed.
- *3 : When piping the P□100-W single unit, use pipe adaptor A□00-W.
(The horizontal direction port does not have threads.)

Code		Content		
A Series model No.				
1100	1000-W Series modular design			
4100	2000-W, 3000-W, 4000-W Series modular design			
8100	6000-W, 8000-W Series modular design			
B Port size				
		1100	4100	8100
6	Rc1/8	●		
8	Rc1/4	●	●	
10	Rc3/8		●	
15	Rc1/2		●	
20	Rc3/4			●
25	Rc1			●
C Branch direction *1				
Blank *2		L	R	
D Attachment				
		1100	4100	8100
Blank	Joiner set, gasket	●	●	●
B11W	T type bracket, gasket	●		
B31W	T type bracket, gasket		●	
B41W	T type bracket, gasket		●	
B81W	T type bracket, gasket			●
4	Fitting for atmosphere inlet port attached (M3 elbow)	●	●	●
E Length of lead wire				
Blank	1 m			
3	3 m			
5	5 m			
F Option				
Blank	None			
P6	Copper and PTFE free specification (custom order product)			

Specifications for rechargeable battery (Catalog No. CC-1226A)

- Structure compatible with rechargeable battery manufacturing process

P4100 - - **P4**

- F.R.L
- F (Filtr)
- R (Reg)
- L (Lub)
- PresSW
- Shutoff
- SlowStart
- FmResistFR
- Oil-ProhR
- MedPresFR
- No Cu/PTFE FRL
- Outdrs FR
- F.R.L (Related)
- CompFRL
- LgFRL
- PrescR
- VacF/R
- Clean FR
- ElecPneuR
- AirBoost
- SpdContr
- Silncr
- CheckV/other
- Jnt/tube
- AirUnt
- PrescCompn
- Mech/ElecPresSW
- ContactSW
- AirSens
- PresSW Cool
- AirFloSens/Contr
- WaterRtSens
- TotAirSys (Total Air)
- TotAirSys (Gamma)
- RefrDry
- DesicDry
- HiPolymDry
- MainFiltr
- Dischrg etc
- Ending

P*100-W Series

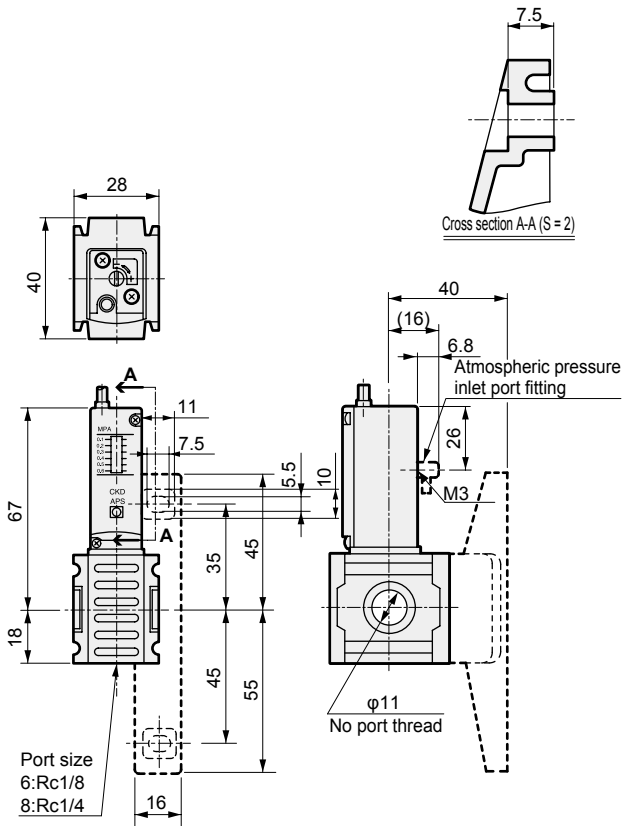


Dimensions

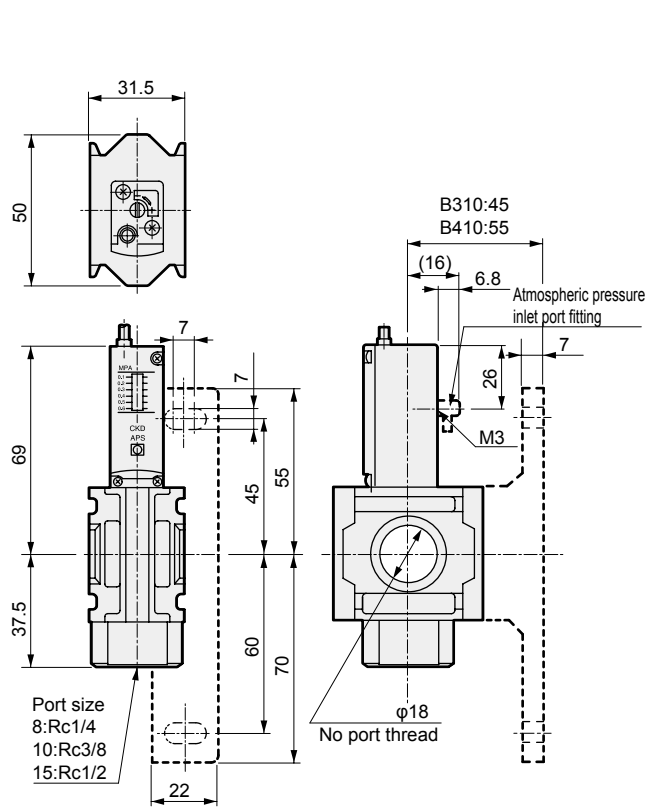
- F.R.L
- F (Filtr)
- R (Reg)
- L (Lub)
- PresSW
- Shutoff
- SlowStart
- FimResistFR
- Oil-ProHR
- MedPresFR
- No Cu/ PTFE FRL
- Outdrs FR
- F.R.L (Related)
- CompFRL
- LgFRL
- PrecsR
- VacF/R
- Clean FR
- ElecPneur
- AirBoost
- SpdContr
- Silncr
- CheckV/ other
- Jnt/tube
- AirUnt
- PrecsCompn
- Mech/ ElecPresSw
- ContactSW
- AirSens
- PresSW Cool
- AirFloSens/ Contr
- WaterRtSens
- TotAirSys (Total Air)
- TotAirSys (Gamma)
- RefrDry
- DesicDry
- HiPolymDry
- MainFiltr
- Dischrq etc
- Ending

● P1100-W

● P4100-W

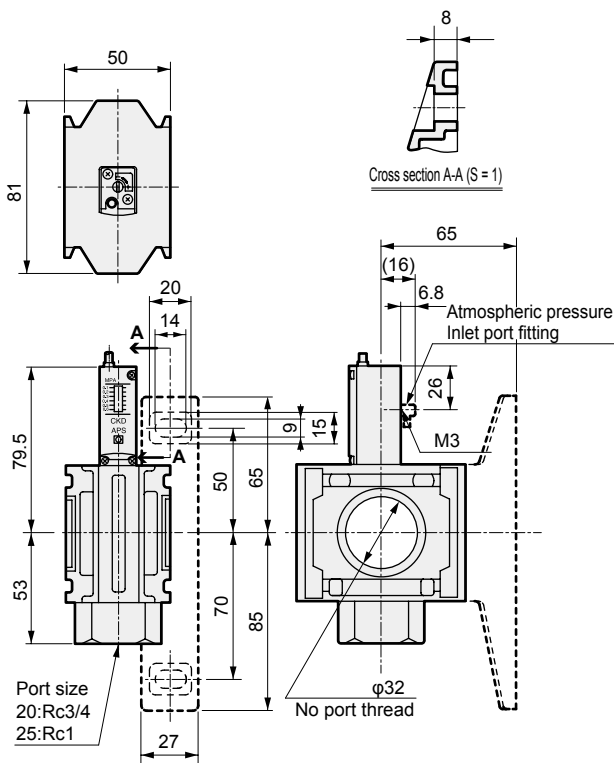


Weight 126 g



Weight 190g

● P8100-W



Weight 467g