

F.R.L  
 F (Filtr)  
 R (Reg)  
 L (Lub)  
 PresSW  
 Shutoff  
 SlowStart  
 FiltrResistFR  
 Oil-Prohr  
 MedPresFR  
 No Cu/  
 PTFE FRL  
 Outdrs FR  
 F.R.L  
 (Related)  
 CompFRL  
 LgFRL  
 PrecsR  
 VacF/R  
 Clean FR  
 ElecPneuR  
 AirBoost  
 SpdContr  
 Silncr  
 CheckV/  
 other  
 Jnt/tube  
 AirUnt  
 PrecsCompn  
 Mech/  
 ElecPresSw  
 ContactSW  
 AirSens  
 PresSW  
 Cool  
 AirFloSens/  
 Contr  
 WaterRtSens  
 TotAirSys  
 (Total Air)  
 TotAirSys  
 (Gamma)  
 RefrDry  
 DesicDry  
 HiPolymDry  
 MainFiltr  
 Dischrg  
 etc  
 Ending



# Miniature pressure gauge **G29D Series**

● Port size: R1/16, R1/8

JIS symbol



## Specifications

Descriptions		G29D
Working fluid		Compressed air
Fluid temperature	°C	5 (41°F) to 60 (140°F)
Ambient temperature	°C	5 (41°F) to 60 (140°F)
Accuracy		Guide meter
Shape		DS type (rear side screw, stock section hexagon)
Display size		φ21
Material	Body	Zinc die-casting + paint
	Lens	Polycarbonate resin
Pressure range	MPa	0 (≈0 psi, 0 bar) to 1.0 (≈150 psi, 10 bar)
Port size	R	1/16, 1/8
Weight	g	12

## How to order

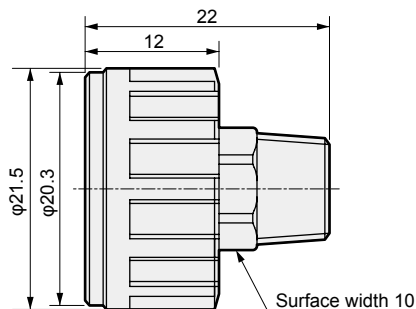
**G29D - 6 - P10**

**A** Port size

**B** Pressure display

Code	Content
<b>A Port size</b>	
<b>3</b>	R 1/16
<b>6</b>	R 1/8
<b>B Pressure display [MPa]</b>	
<b>P10</b>	0 to 1.0

## Dimensions





Compact round pressure gauge

# G39D Series

● Port size: R1/8

JIS symbol



## Specifications

Descriptions		G39D
Working fluid		Compressed air
Fluid temperature	°C	5 (41°F) to 60 (140°F)
Ambient temperature	°C	5 (41°F) to 60 (140°F)
Accuracy	*1	Full scale ±3%
Shape		DT type (rear side screw, stock section hexagon)
Display size		φ26
Material	Stock/Bourdon tube	Copper alloy (phosphor bronze)
	Housing	Steel plate + paint
	Lens	Acrylic resin
Pressure range	MPa	0 (≈0 psi, 0 bar) to 0.4 (≈58 psi, 4 bar) 0 (≈0 psi, 0 bar) to 1.0 (≈150 psi, 10 bar)
Port size	R	1/8
Weight	g	37

\*1: The guaranteed indicator accuracy temperature is 20±15°C.

## How to order

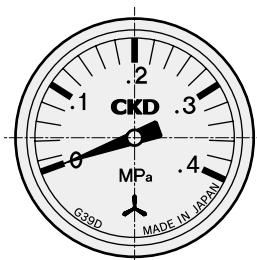
**G39D** - **6** - **P10**

**A** Port size

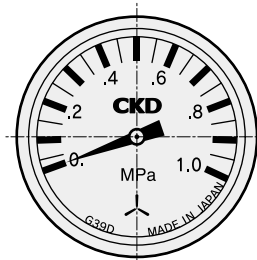
**B** Pressure display

Code	Content
<b>A Port size</b>	
<b>6</b>	R 1/8
<b>B Pressure display [MPa]</b>	
<b>P04</b>	0 to 0.4
<b>P10</b>	0 to 1.0

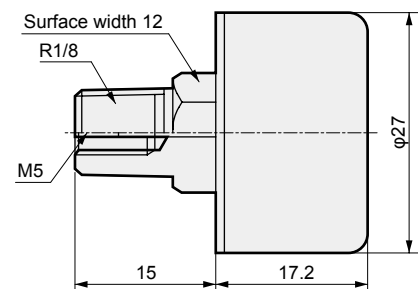
## Dimensions



Pressure display: P04



Pressure display: P10



- F.R.L
- F (Filtr)
- R (Reg)
- L (Lub)
- PresSW
- Shutoff
- SlowStart
- FimResistFR
- Oil-ProhR
- MedPresFR
- No Cu/ PTFE FRL
- Outdrs FR
- F.R.L (Related)**
- CompFRL
- LgFRL
- PrecsR
- VacF/R
- Clean FR
- ElecPneuR
- AirBoost
- SpdContr
- Silncr
- CheckV/ other
- Jnt/tube
- AirUnt
- PresCompn
- Mech/ ElecPresSw
- ContactSW
- AirSens
- PresSW Cool
- AirFloSens/ Contr
- WaterRtSens
- TotAirSys (Total Air)
- TotAirSys (Gamma)
- RefrDry
- DesicDry
- HiPolymDry
- MainFiltr
- Dischrg etc
- Ending