



Vacuum pressure gauge with limit marker

VG41D Series

Visual inspection management of vacuum pressure is easy thanks to the green arrow.

● Port size: R1/8



Specifications

Descriptions		VG41D
Working fluid		Compressed air
Fluid temperature	°C	5 (41°F) to 50 (122°F)
Ambient temperature	°C	5 (41°F) to 50 (122°F)
Accu. *1	Class	JIS2.5 or equivalent (±2.5%F·S)
Shape		DT type (rear side screw/stock section square)
Display size		φ42
Material	Stock/Bourdon tube	Copper alloy
	Housing	Stainless steel
	Lens	Polycarbonate resin
	Marker	Acetal resin
Pressure range (Setting range)		kPa -100 (≈-15 psi, -1 bar) to 0 (≈0 psi, 0 bar)
Port size	*2	R1/8
Weight	g	82

*1: The guaranteed indicator accuracy temperature is 20±15°C.

How to order

VG41D - 6 - P01

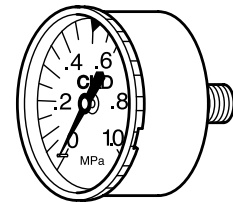
Code	Content
A Model No.	
VG41D	Pressure gauge with limit marker
B Port size *1	
6	R 1/8
C Pressure display	
P01	-100 to 0 kPa

⚠ Precautions for model No. selection

*1: NPT and G screws are available as custom orders.

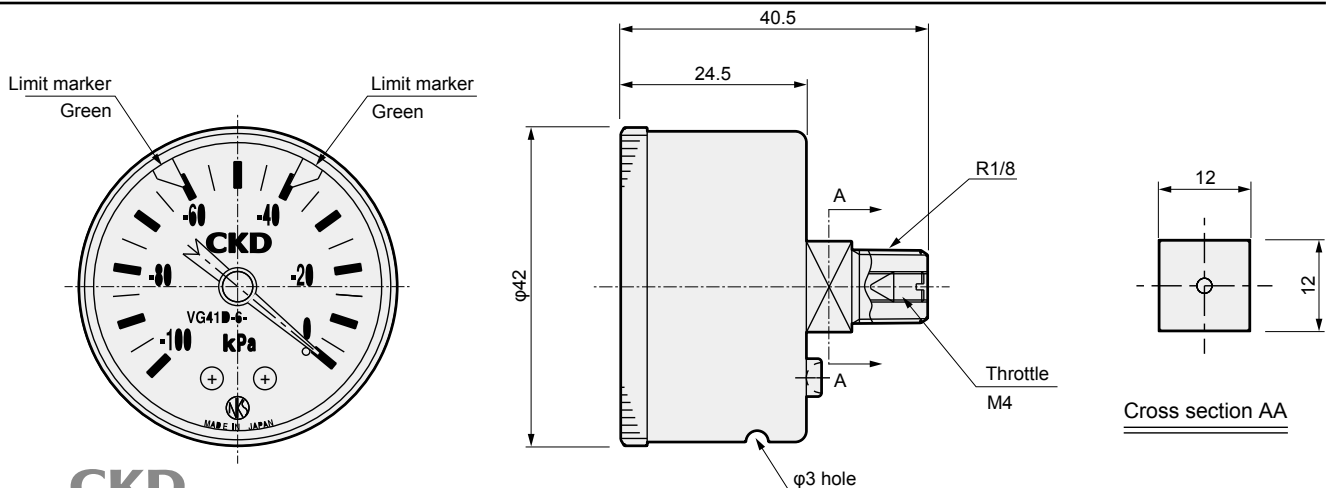
Adjustment

Remove the transparent case, then move the green arrow marker with a screwdriver, etc. After adjustment, always reattach the transparent face before supplying pneumatic pressure.



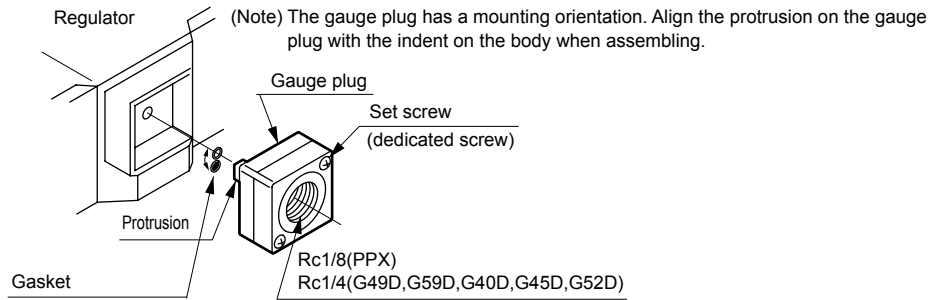
Remove the transparent case by turning it counterclockwise and pulling it off.

Dimensions



Gauge plug assembly (assembly of gauge plug, gasket and mounting screw)

Use when mounting the pressure gauge.



If the gasket is turned 180° as shown in the figure, the regulator pressure flows to the pressure gauge.

- * Tighten the pressure gauge with a torque of 10 to 15 N·m or less.
- * Use when detecting external pressures as well.
- * Consult with CKD when NPT or G threads are required.

Gauge plug assembly model No.	Compatible model	Compatible pressure gauge
R1000-W-G-PLUG	For 1000-W Series	G49D, G59D, G40D, G45D, G52D
R1000-W-T6-PLUG		PPX
R3000-W-G-PLUG	For 2000-W, 3000-W, 4000-W, 6000-W, 8000-W Series	G49D, G59D, G40D, G45D, G52D
R3000-W-T6-PLUG		PPX

F.R.L
F (Filtr)
R (Reg)
L (Lub)
PresSW
Shutoff
SlowStart
FimResistFR
Oil-ProhR
MedPresFR
No Cu/PTFE FRL
Outdrs FR
F.R.L (Related)
CompFRL
LgFRL
PrescR
VacF/R
Clean FR
ElecPneuR
AirBoost
SpdContr
Silncr
CheckV/other
Jnt/tube
AirUnt
PresCompn
Mech/ElecPresSw
ContactSW
AirSens
PresSW Cool
AirFloSens/Contr
WaterRISens
TotAirSys (Total Air)
TotAirSys (Gamma)
RefrDry
DesicDry
HiPolymDry
MainFiltr
Dischrg etc
Ending