



Drain discharger
Heavy duty drain

5100-4C Series

Float drain (NC: no discharge when not pressurized).
Ideal for circuits generating a lot of moisture.

● Port size: Rc1/2

JIS symbol



Specifications

Descriptions	5100-4C
Max. working pressure MPa	1.0
Proof pressure MPa	1.5
Fluid temperature (ambient) °C	5 to 65
Min. working pressure MPa	0.069
Drain discharge cm ³	170/time
Port size	Rc1/2
Weight kg	1.9
Bowl guard	Standard equipment

How to order

● Heavy duty drain

5100 - 4C - Z

A Model No.

B Port size

C Option

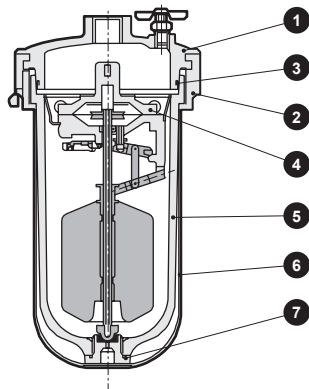
Code	Content	
B Port size		
4C	Rc1/2	
C Option		
Bowl material	Blank	Polycarbonate bowl
	Z	Nylon bowl
	M	Metal bowl
	MG	Metal bowl with gauge

⚠ Precautions for model No. selection

*1: If port size NPT thread is required, do not indicate nominal size C. (Example) 5100-4

Internal structure and parts list

● 5100-4C



No.	Main part	Material
1	Cover	Zinc die casting
2	Clamp ring	Zinc die casting

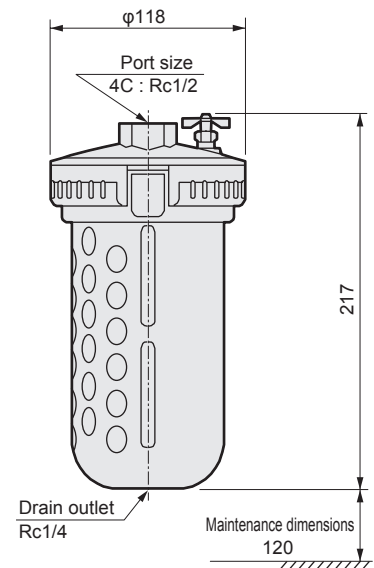
Parts list

No.	Part name	Material	Model No.
3	O-ring	Special nitrile rubber	1138-ORING
4	Drain unit assembly	-	1326-DRAIN-UNIT
5	Bowl assembly	Polycarbonate	5100-BOWL
6	Bowl guard	Steel	1138-BOWL-GUARD
7	Drain seat assembly	Aluminum alloy, nitrile rubber	A1338-DRAIN-SEAT

Dimensions



● 5100-4C



⚠ Safety precautions

■ Use/maintenance

- Note that the bowl may be difficult to remove at times. When it is hard to remove, apply a strong force. (Before removing the bowl, check the looseness by applying force to the side of the lower part of the bowl.)