

Automatic drain

# DB1000/DB3000 Series

Drain discharger with highly reliable level sensor.

● Port size: G1/2" to G1"

(for 2.5 to 1000 m<sup>3</sup>/min (ANR) air compressor discharge flow rate)

JIS symbol



## Specifications

Descriptions		DB3003D-15	DB1006E-15 -AC200V	DB3006E-15 -AC200V	DB1024-15 -AC200V	DB3024-15 -AC200V	DB1090D-20 -AC200V	DB3090D-20 -AC200V	DB3700-20 -AC200V
Port size	Drain inlet	G1/2"	G1/2"		G1/2"		G3/4"		G3/4", G1"
	Drain outlet	8 mm hose fitting or G1/4"	10 mm hose fitting or G3/8"		13 mm hose fitting or G1/2"		13 mm hose fitting or G1/2"		G1/2"
Process air flow rate of applicable air compressor m <sup>3</sup> /min(ANR)		2.5	4.5		20		90		1000
Process air flow rate of applicable air dryer m <sup>3</sup> /min(ANR)		5	9		40		180		2000
[Ref] Compressor capacity of air dryer. (kW)		22	55		240		900		7000
Working conditions	Working fluid	Drain contained in compressed air							
	Ambient temperature °C	1 to 60							
	Working pressure MPa	0.08 to 1.6	0.12 to 1.6	0.08 to 1.6	0.12 to 1.6	0.08 to 1.6	0.12 to 1.6		
Electro specs	Power supply	Single phase 95 VAC to 240 VAC 50/60 Hz	Single phase 200 VAC 50/60 Hz						
	Max. power consumption	3 VA	2.0 VA						
Alarm contact capacity		-	<250 VAC/<0.5 A, >12 VDC/>50 mA						
Degree of protection		IP67	IP65						
Weight	kg	0.8	0.8		2.0		2.9		5.9
Applicable air compressor		No-lubrication	Lubrication	No-lubrication	Lubrication	No-lubrication	Lubrication	No-lubrication	No-lubrication

\*1:G means a parallel female thread that can be connected with an R thread.

\*2:Use a hose fitting or G1/4" for the drain outlet of DB3003D.

G1/4" is a parallel male thread.

\*3:Use a hose fitting or G3/8" for the drain outlet of DB1006E/3006E.

G3/8" is a parallel male thread.

\*4:Use a hose fitting or G1/2" for the drain outlet of DB1024/3024 and DB1090D/3090D.

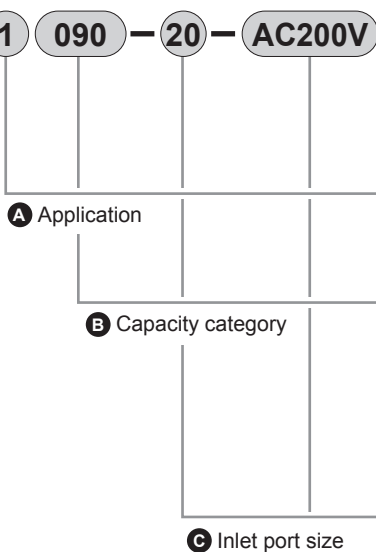
G1/2" is a parallel male thread.

\*5:Use G3/4" or G1" for the drain inlet of DB3700.

\*6:DB3000 Series can be used for lubrication compressor.

## How to order

DB 1 090 - 20 - AC200V



Code	Content
<b>A Application</b>	
1	For lubrication compressor
3	For no-lubrication compressor
<b>B Capacity category</b>	
003D	22kW or less
006E	55kW or less
024	240kW or less
090D	900kW or less
700	7000kW or less
<b>C Inlet port size</b>	
15	G1/2"
20	G3/4"
<b>D Voltage</b>	
	200 VAC

### ⚠ Precautions for model No. selection

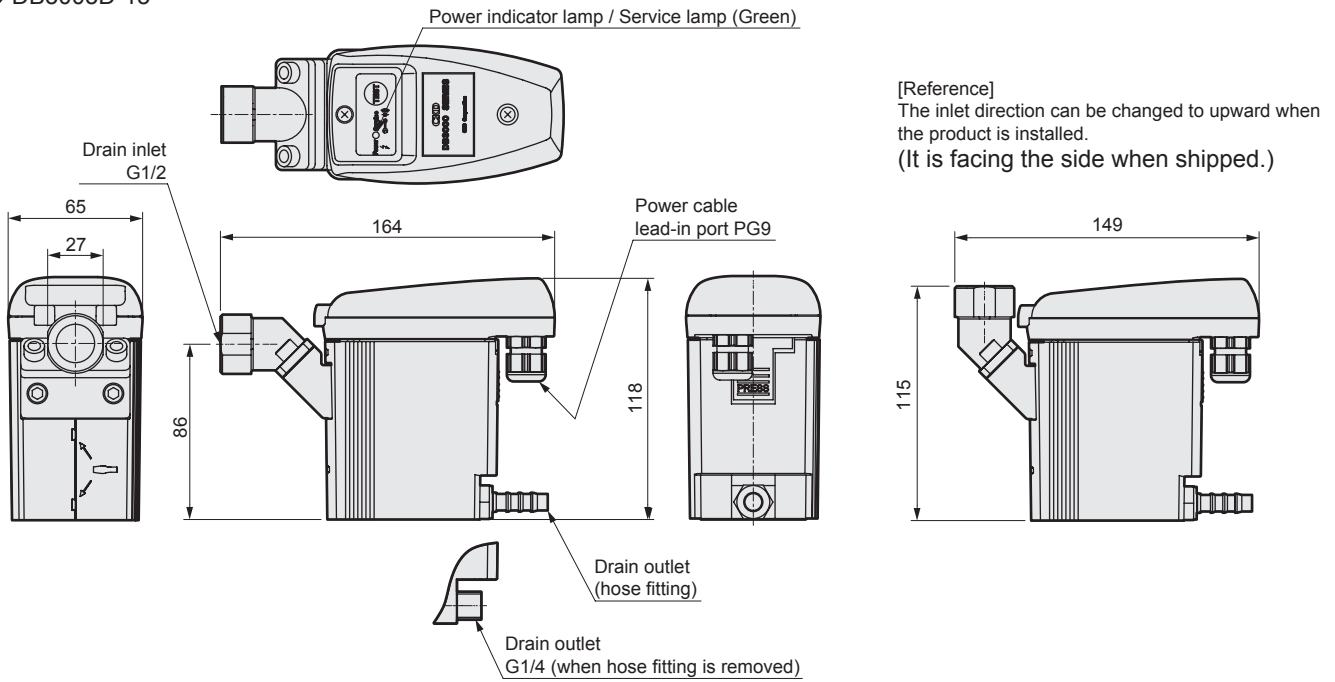
\*1: Capacity code is the capacity of air compressor for the corresponding air dryer.

\*2: Cannot be selected for the ② Capacity category "003D".

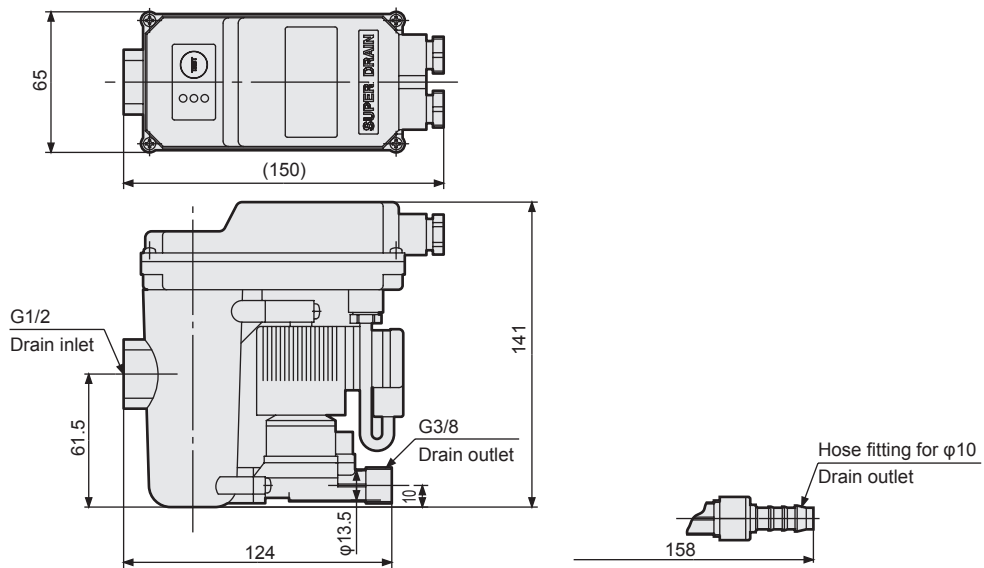
④ Voltage  
\*2

## Dimensions

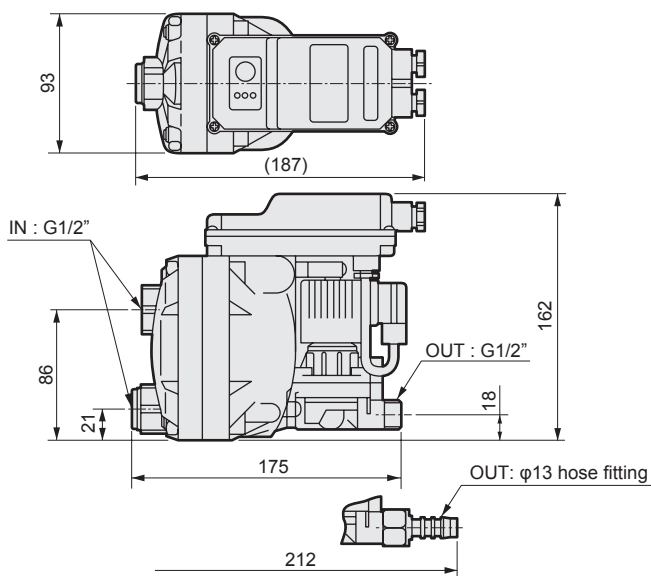
### ● DB3003D-15



### ● DB1006E-15/DB3006E-15



### ● DB1024-15/DB3024-15



INDEX

Precautions

Dryer system list

Refrigeration dryer

Desiccant dryer

High polymer membrane dryer

Air filter

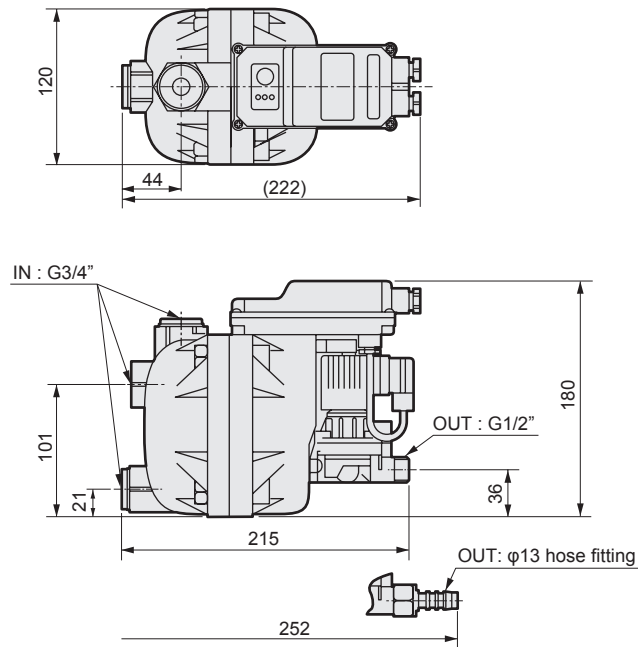
Drain discharger, etc.

Flow rate sensor

# DB1000/DB3000 Series

Dimensions 

● DB1090D-20/DB3090D-20



● DB3700-20

