

# Discontinue

Automatic drain with manual cock

## B5102 Series

Easily discharging drainage from pneumatic circuit

• Port size: Rc3/8, 1/2

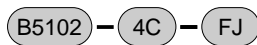
JIS symbol



### Specifications

Descriptions	NO automatic drain with manual cock	
	B5102-3C / 4C-FJ	B5102-3C / 4C-F
Appearance		
Working fluid	Compressed air	
Working pressure range	MPa	0.1 to 1.0
Withstanding pressure	MPa	1.5
Fluid temperature (ambient temperature)	°C	5 to 65
Drain discharge	cm <sup>3</sup> /times	3.5 (at pressure 0.5MPa)
Port size	Rc	3/8, 1/2
Product mass	kg	0.55
Bowl guard	Provided as standard	

### How to order



A Model

B Port size  
Note 1

C Option

[Example of model number]

#### B5102-4C-FJ

Model: Automatic drain

A Model : Compact size automatic drain

B Port size : Rc1/2

C Option : NO automatic drain with manual cock and jumbo bowl



#### Note on model No. selection

Note 1: If NPT port is required, do not indicate nominal size C. (E.g.) B5102-4



#### Precautions

##### • Design / selection

• Use automatic drain with following working conditions, or may cause malfunctions.

##### NO type automatic drain

• Compressor is to be used where 0.75kw and over [discharge rate 90%/min[ANR]]. Purge air just after compressor operated.

• Working pressure is to be 0.1MPa and over.

##### NC type "F1" automatic drain

• The compressor can be used if 0.75kw or less.

• Working pressure is to be 0.15MPa and over.

##### • Use / maintenance

• Tar and carbon, etc. could occur depending on used compressor type, so use clean air.

• When inspecting drain discharge failure, etc. discharge air in the bowl. After rinsing drain unit, air-blow by an air gun.

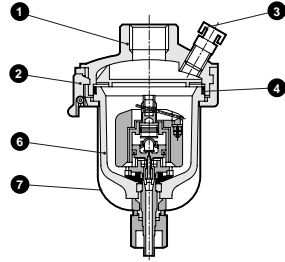
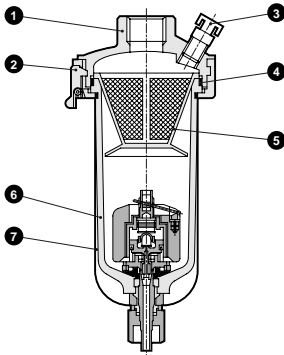
A Model	Compact size automatic drain	Compact size automatic drain
	B5102	●
B5102-J	●	●

Symbol	Descriptions			
B Port size				
3C	Rc3/8(10A)	●	●	
4C	Rc1/2(15A)	●	●	
C Option				
Drainage	F	NO automatic drain with manual cock	●	●
	F1	NC automatic drain with manual cock	●	●
Bowl material	J	Jumbo bowl		Provided as standard
	Blank	Polycarbonate	●	●
	Z	Nylon bowl	●	●
	M	Metal bowl	●	●
	MG	Metal bowl with gauge	●	●

#### Internal structure and parts list

• B5102-3 / 4C-FJ

• B5102-3 / 4C-F



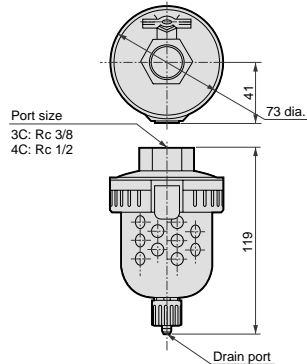
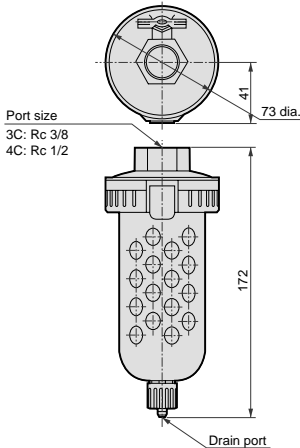
No.	Part name	Material	Model no.	Remarks
1	Cover	Zinc die casting		
2	Clamp ring assembly	Zinc die casting	1144-CLAMP-RING	
3	Petcock	Brass	DT3000-PETCOCK	
4	O ring	Nitrile rubber	1144-ORING	
5	Screen	Polyacetal	B5102-SCREEN	
6	Bowl assembly	Polycarbonate and other	B5102-BOWL-FJ	FJ type
			B5102-BOWL-F	F type
7	Bowl guard	Steel	B5102-BOWL-GUARD-J	FJ type
			B5102-BOWL-GUARD	F type

Note: Avoid direct sun lay.

#### Dimensions

• B5102-3 / 4C-FJ

• B5102-3 / 4C-F



Note: Manual cock type drain port can be connected to nylon tube 5.7 to 6.0 dia. directly.

Note: Size of drain port of metal bowl is Rc1/4.

Refrigerating type dryer  
 Desiccant type dryer  
 High polymer membrane dryer  
 Air filter  
 Automatic drain other  
 F.R.L (Module)  
 F.R.L (Separate)  
 Small F.R.  
 Precise R.  
 Electro pneumatic R.  
 Auxiliary  
 Flow control valve  
 Silencer  
 Check valve / others  
 Joint / tube  
 Vacuum F.  
 Vacuum R.  
 Vacuum generator  
 Vacuum auxiliary / pad  
 Mechanical pressure SW  
 Electronic pressure SW  
 Electronic dif. pres. SW  
 Seating / close contact conf. SW  
 Pressure SW for coolant  
 Flow sensor for air  
 Total air system  
 Water cooling refrigerator  
 Flow sensor for water  
**Main line unit**  
 Automatic drain with manual cock