



Refrigerated air dryer Xeroaqua Air cooling

GT9000(D) Series

For direct air compressor connection, standard inlet air

Applicable air compressor: 75, 90, 120, 150, 190, 240, 300, 380, 450 kW

JIS symbol



Specifications

Model No.	GT9075D	GT9090D	GT9120D	GT9150D	GT9190D	GT9240	GT9300	GT9380	GT9450	
Applicable air compressor kW	75	90	120	150	190	240	300	380	450	
Working range	Working fluid									
	Compressed air									
	Inlet air temperature °C									
	5 to 60									
Rating	Inlet air pressure MPa									
	0.29 to 0.98					0.1 to 0.98		0.29 to 0.93		
	Ambient temperature °C									
	2 to 48					2 to 40				
Performance	Processing air rate m ³ /min (ANR) 50/60 Hz (*2)	11.4/12.6	16.3/18.9	20.8/23.8	25.9/30.1	32.1/38.1	36.5/43.0	44.2/52.0	55.2/65.0	70.3/82.8
	Processing air rate (compressor suction state) 50/60 Hz (*3)	12.1/13.4	17.3/20.1	22.1/25.3	27.5/32.0	34.1/40.5	38.3/45.2	46.4/54.6	58.0/68.3	73.8/87.0
	Inlet air temperature °C	40								
	Inlet air pressure MPa	0.7								
	Ambient temperature °C	32								
Outlet air pressure dew point °C	10 (*4)									
Power supply	Three-phase 200/200, 220 VAC 50/60 Hz									
Electrical specifications	Power consumption kW 50/60 Hz (*5)	2.5/3.0, 3.0	3.0/3.9, 3.9	3.0/3.9, 3.9	4.1/5.2, 5.2	5.7/7.5, 7.4	4.6/5.7, 5.6	5.9/6.8, 6.8	8.6/10.1, 10.0	9.3/11.2, 11.9
	Current consumption A 50/60 Hz (*5)	9.5/9.5, 9.4	11.5/12.0, 12.0	11.5/12.0, 12.0	14.0/16.5, 15.5	20.5/24.5, 22.5	17.9/19.2, 19.1	19.9/22.3, 21.2	26.4/29.4, 28.9	36.3/38.3, 38.2
	Starting current A 50/60 Hz	110/100	110/115	110/115	140/155	165/190	135/135	83/77	98/91	135/135
Refrigerant	R-410A					R-407C				
Air inlet and outlet port size (*6)	R2	R2	Flange 2 1/2B	Flange 3B	Flange 4B	Flange 5B	Flange 6B			
Weight kg	146	186	205	279	286	555	790	870	970	
Released heat kW 50/60 Hz	8.4/9.4	11.3/13.2	13.6/15.7	17.2/20.2	21.7/25.9	18.8/22.1	20.8/24.5	26.7/31.3	33.0/39.0	

*1 : Outer panel: Quality cool white (Munsell No. 5GY7.5/0.5)

Base: Munsell No. N3.0

*2 : ANR shows conditions of 20°C atmospheric pressure and relative humidity 65%.

*3 : Value converted into air compressor intake state at 32°C atmospheric pressure and relative humidity 75%.

*4 : Contact CKD for information on the dew point performance guarantee.

*5 : The power consumption and current consumption are both reference values under the rated conditions, and are not guaranteed values.

*6 : The flange is JIS 10K FF or equivalent.

How to order (air-cooling)

GT9 **075D** - **G** - **AC380V**

A Capacity category

B Option
*1

C Voltage
*2

Precautions for model No. selection

- *1 : Indicate options in alphabetical order.
- *2 : Specify the voltage for Item **C** even when the model is a standard product.
(Example) GT9090D-AC200V
- *3 : Option H3 is packaged in plywood.
- *4 : The instruction manual and nameplates are provided in Japanese and English. However, the proof pressure certificate (GT9240 and over) is available as Japanese text only. Contact CKD when an English version is required.
- *5 : Contact CKD if a photo of the completed product is required.
- *6 : Contact CKD to designate the color of the body panel.

Code	Content
A Capacity category	
075D	75 kW
090D	90 kW
120D	120 kW
150D	150 kW
190D	190 kW
240	240 kW
300	300 kW
380	380 kW
450	450 kW
B Option	
Blank	Standard products
G	Different voltage compatible
H2	Stainless steel nameplate
H3	Simple export packaging *3
N1	Copper tube rust proof coating
Q1	Drain piping right (GT9075D to GT9190D only)
C Voltage	
	200 VAC
	220 VAC (60 Hz only standard)
	230 VAC
	240 VAC
	380 VAC
	400 VAC
	415 VAC
	440 VAC
	480 VAC

INDEX

Precautions

Dryer system list

Refrigeration dryer

Desiccant dryer

High polymer membrane dryer

Air filter

Drain discharger, etc.

Flow rate sensor

GT9000(D) Series

Selection guide (GT9075D to 9190D)

(1) Temperature compensation coefficient

GT9075D, GT9090D, GT9120D

Inlet air temperature (°C)	35			40			45			50			55			60			
Pressure dew point (°C)	5	10	15	5	10	15	5	10	15	5	10	15	5	10	15	5	10	15	
Ambient temperature (°C)	25	0.77	1.15	1.15	0.65	1.06	1.15	0.53	0.88	0.95	0.39	0.71	0.80	0.25	0.61	0.71	0.13	0.51	0.62
	30	0.70	1.15	1.15	0.58	1.02	1.11	0.47	0.85	0.93	0.35	0.68	0.75	0.23	0.59	0.66	0.11	0.49	0.58
	32	0.68	1.15	1.15	0.57	1.00	1.09	0.46	0.83	0.90	0.34	0.67	0.72	0.22	0.58	0.65	0.10	0.48	0.55
	35	0.65	1.12	1.15	0.54	0.95	1.04	0.44	0.79	0.85	0.32	0.64	0.70	0.21	0.55	0.64	0.10	0.46	0.53
	40	0.57	0.98	1.07	0.48	0.83	0.90	0.39	0.69	0.74	0.29	0.56	0.63	0.19	0.48	0.54	0.09	0.40	0.48
	45	0.23	0.83	0.92	0.20	0.70	0.85	0.15	0.58	0.68	0.14	0.47	0.56	0.14	0.41	0.44	0.08	0.34	0.42
	48	0.19	0.73	0.89	0.17	0.62	0.80	0.12	0.51	0.65	0.11	0.42	0.50	0.11	0.36	0.36	0.07	0.30	0.35

GT9150D

Inlet air temperature (°C)	35			40			45			50			55			60			
Pressure dew point (°C)	5	10	15	5	10	15	5	10	15	5	10	15	5	10	15	5	10	15	
Ambient temperature (°C)	25	0.77	1.15	1.15	0.65	1.06	1.15	0.53	0.88	0.95	0.39	0.71	0.80	0.25	0.61	0.71	0.13	0.51	0.62
	30	0.70	1.15	1.15	0.58	1.02	1.11	0.47	0.85	0.93	0.35	0.68	0.75	0.23	0.59	0.66	0.11	0.49	0.58
	32	0.68	1.15	1.15	0.57	1.00	1.09	0.46	0.83	0.90	0.34	0.67	0.72	0.22	0.58	0.65	0.10	0.48	0.55
	35	0.65	1.12	1.15	0.54	0.95	1.04	0.44	0.79	0.85	0.32	0.64	0.70	0.21	0.55	0.64	0.10	0.46	0.53
	40	0.57	0.98	1.07	0.48	0.83	0.90	0.39	0.69	0.74	0.29	0.56	0.63	0.19	0.48	0.54	0.09	0.40	0.48
	45	0.22	0.79	0.88	0.17	0.58	0.70	0.14	0.50	0.59	0.13	0.45	0.54	0.13	0.38	0.41	0.08	0.33	0.38
	48	0.17	0.65	0.79	0.13	0.48	0.62	0.10	0.40	0.51	0.09	0.35	0.42	0.09	0.31	0.35	0.07	0.27	0.32

GT9190D

Inlet air temperature (°C)	35			40			45			50			55			60			
Pressure dew point (°C)	5	10	15	5	10	15	5	10	15	5	10	15	5	10	15	5	10	15	
Ambient temperature (°C)	25	0.77	1.15	1.15	0.65	1.06	1.15	0.53	0.88	0.95	0.39	0.71	0.80	0.25	0.61	0.71	0.13	0.51	0.62
	30	0.70	1.15	1.15	0.58	1.02	1.11	0.47	0.85	0.93	0.35	0.68	0.75	0.23	0.59	0.66	0.11	0.49	0.58
	32	0.68	1.15	1.15	0.57	1.00	1.09	0.46	0.83	0.90	0.34	0.67	0.72	0.22	0.58	0.65	0.10	0.48	0.55
	35	0.65	1.12	1.15	0.54	0.95	1.04	0.44	0.79	0.85	0.32	0.64	0.70	0.21	0.55	0.64	0.10	0.46	0.53
	40	0.57	0.98	1.07	0.48	0.83	0.90	0.39	0.69	0.74	0.29	0.56	0.63	0.19	0.48	0.54	0.09	0.40	0.48
	45	0.23	0.83	0.92	0.20	0.70	0.85	0.15	0.58	0.68	0.14	0.47	0.56	0.14	0.41	0.44	0.08	0.34	0.42
	48	0.17	0.65	0.79	0.13	0.48	0.62	0.10	0.40	0.51	0.09	0.35	0.42	0.09	0.31	0.35	0.07	0.27	0.32

(2) Inlet air pressure coefficient

Inlet air pressure (MPa)	0.29	0.30	0.40	0.50	0.60	0.70	0.80	0.90	0.98
Coefficient	0.80	0.80	0.86	0.92	0.96	1.00	1.04	1.08	1.12

(3) Ceiling coefficient

Working conditions (inlet air pressure (MPa))	0.29	0.30	0.40	0.50	0.60	0.70	0.80	0.90	0.98
Coefficient	0.92	0.92	0.98	1.05	1.10	1.15	1.19	1.24	1.28

When determining the appropriate model from the reference processing air rate of each model No.

Reference processing air rate × (1) Temperature correction coefficient × (2) Inlet air pressure coefficient = Maximum processing air rate

*1: Select with conditions where the value of the product of each coefficient ((1) × (2)) does not exceed the ceiling coefficient of (3).

Conditions	Working conditions	Selecting conditions	Coefficient
Inlet air temperature	30 to 38°C	40°C	(1) 0.95
Pressure dew point	10°C	10°C	
Ambient temperature	25 to 33°C	35°C	
Inlet air pressure	0.55 to 0.75 MPa	0.5 MPa	(2) 0.92
Frequency	50 Hz	50 Hz	50 Hz

Substitute the above conditions into the equation above to obtain the processing air rate when using the GT9150D.

Product of each coefficient

$$(1) \times (2) = 0.95 \times 0.92 = 0.87$$

As the (3) ceiling coefficient of 1.05, when the inlet air pressure of the working conditions is 0.5 MPa, is not exceeded, the max. processing air rate will be 25.9 (reference processing air rate) × 0.87 = 22.5 m³/min(ANR).

If the used air quantity is less than or equal to this value, select that model.

Selection guide (GT9240 to GT9450)

(1) Temperature compensation coefficient

Inlet air temperature (°C)	35		40		45		50		55		60		
Pressure dew point (°C)	10	15	10	15	10	15	10	15	10	15	10	15	
Ambient temperature (°C)	25	1.29	1.29	1.14	1.24	0.91	0.99	0.69	0.75	0.46	0.50	0.23	0.25
	30	1.25	1.29	1.04	1.13	0.83	0.91	0.62	0.68	0.42	0.45	0.21	0.23
	32	1.20	1.29	1.00	1.09	0.80	0.87	0.60	0.65	0.40	0.44	0.20	0.22
	35	1.13	1.23	0.94	1.02	0.75	0.82	0.56	0.61	0.38	0.41	0.19	0.20
	40	1.01	1.10	0.84	0.92	0.67	0.73	0.50	0.55	0.34	0.37	0.17	0.18

(2) Inlet air pressure coefficient

Inlet air pressure (MPa)	0.10	0.20	0.29	0.30	0.40	0.50	0.60	0.70	0.80	0.90	0.93	0.98
Coefficient	0.60	0.66	0.72	0.73	0.80	0.87	0.93	1.00	1.07	1.13	1.15	1.19

(3) Ceiling coefficient

Working conditions (inlet air pressure (MPa))	0.10	0.20	0.29	0.30	0.40	0.50	0.60	0.70	0.80	0.90	0.93	0.98
Coefficient	0.77	0.85	0.92	0.94	1.03	1.12	1.19	1.29	1.38	1.45	1.48	1.53

When determining the appropriate model from the reference processing air rate of each model No.

Reference processing air rate × (1) Temperature correction coefficient × (2) Inlet air pressure coefficient = Maximum processing air rate

*1: Select with conditions where the value of the product of each coefficient ((1)×(2)) does not exceed the ceiling coefficient of (3).

Conditions	Working conditions	Selecting conditions	Coefficient
Inlet air temperature	30 to 38°C	40°C	(1) 0.94
Pressure dew point	10°C	10°C	
Ambient temperature	25 to 33°C	35°C	
Inlet air pressure	0.55 to 0.75 MPa	0.5 MPa	(2) 0.87
Frequency	50 Hz	50 Hz	50 Hz

Substitute the above conditions into the equation above to obtain the processing air rate when using the GT9240.

Product of each coefficient

(1) × (2) = 0.94 × 0.87 = 0.81

As the (3) ceiling coefficient of 1.12, when the inlet air pressure of the working conditions is 0.5 MPa, is not exceeded, the max. processing air rate will be 23.8 (reference processing air rate) × 0.81 = 19.2 m³/min(ANR).

If the used air quantity is less than or equal to this value, select that model.

*2: For compatibility with pressure dew points of less than 10°C, contact CKD separately.

INDEX

Precautions

Dryer system list

Refrigeration dryer

Desiccant dryer

High polymer membrane dryer

Air filter

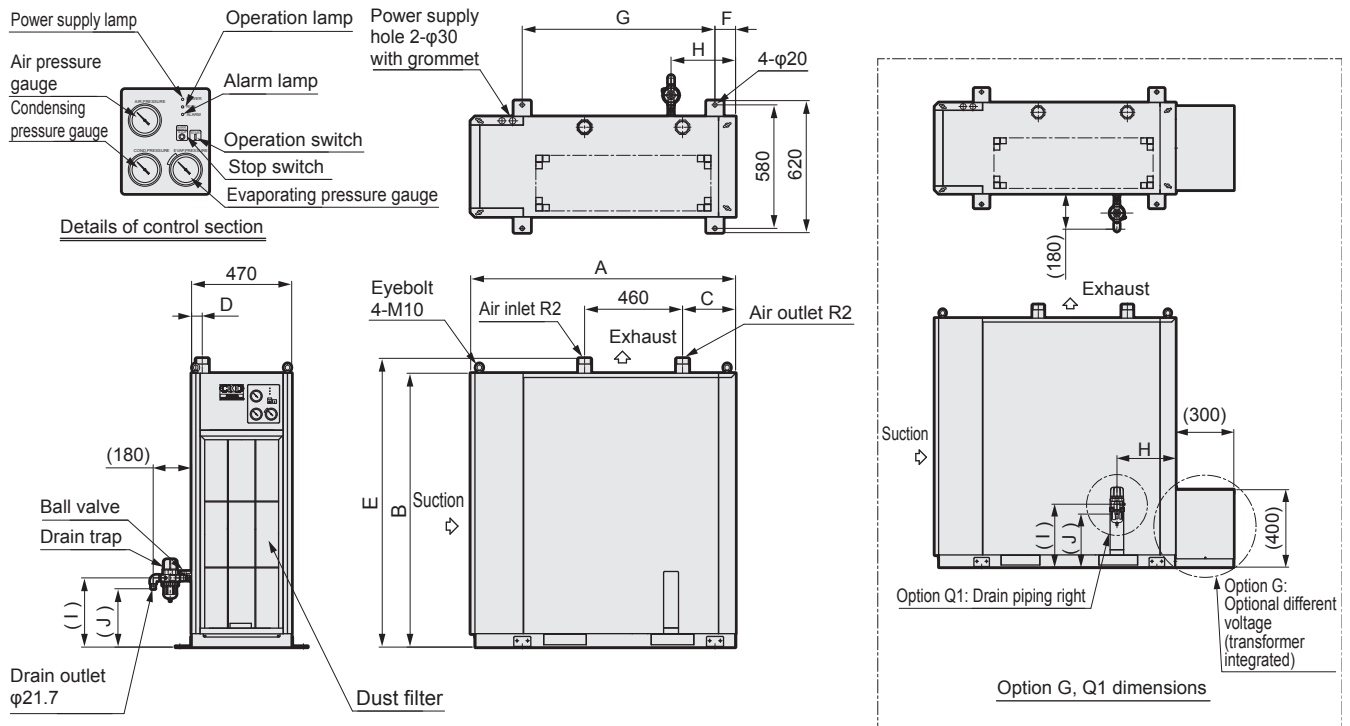
Drain discharger, etc.

Flow rate sensor

GT9000(D) Series

Dimensions

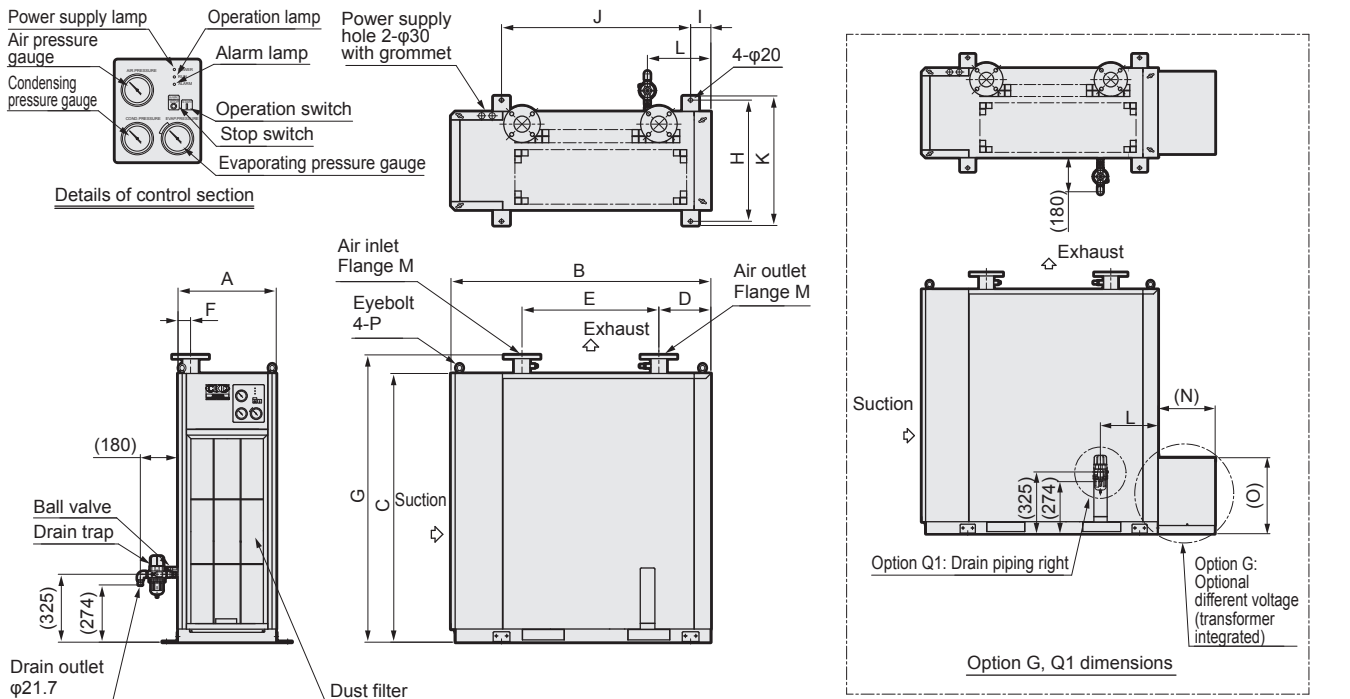
● GT9075D, GT9090D



*1: The drain trap and ball valve are attachments.

Model No.	A	B	C	D	E	F	G	H	I	J
GT9075D	1081	1140	287	235	1204	67	868	287	320	269
GT9090D	1244	1286	249	55	1356	97	905	303	325	274

● GT9120D, GT9150D, GT9190D

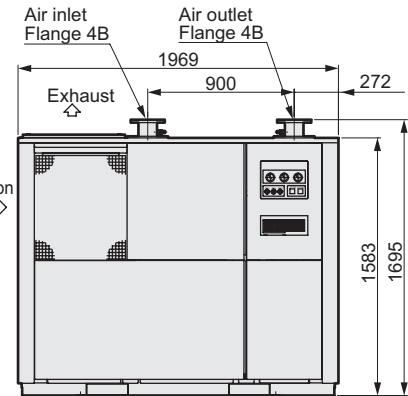
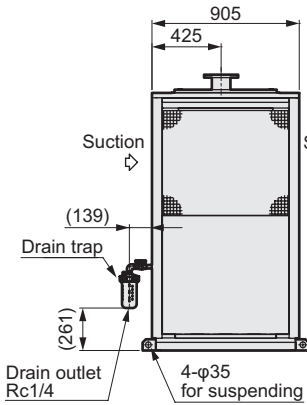
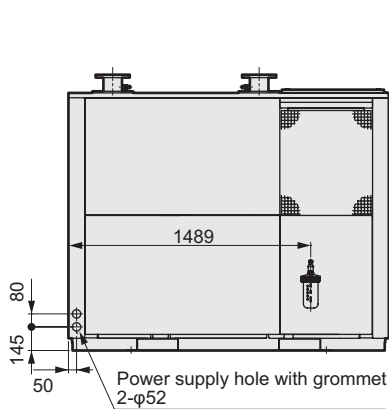
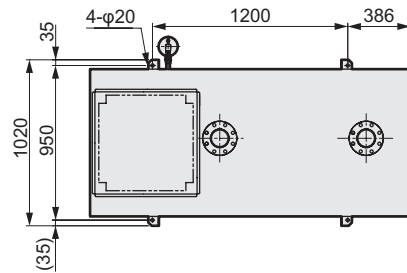
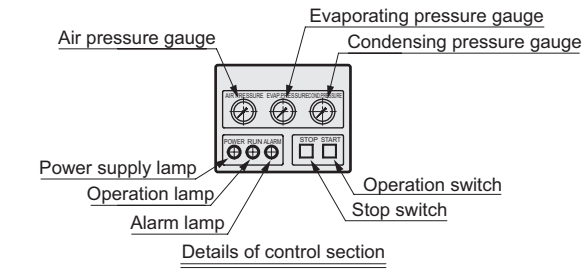


*1: The drain trap and ball valve are attachments.

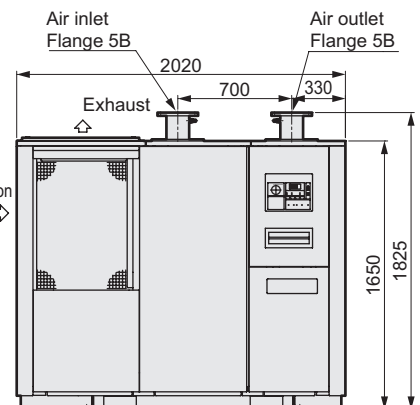
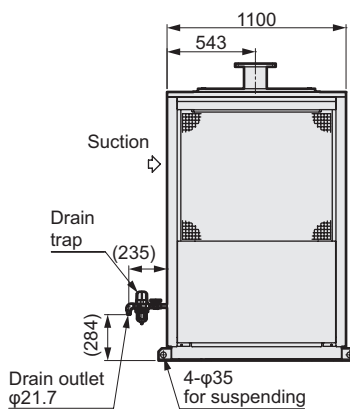
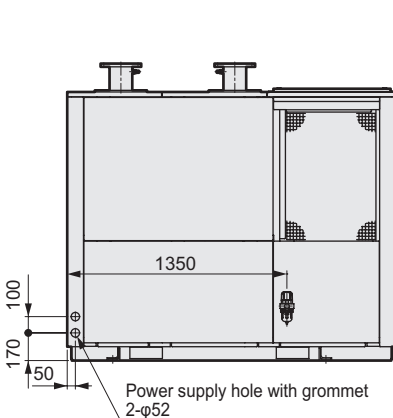
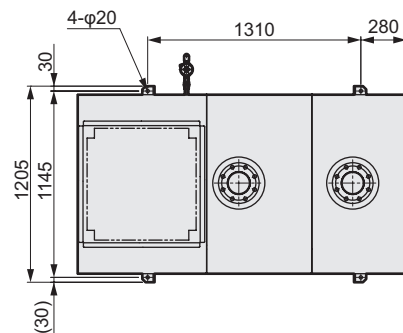
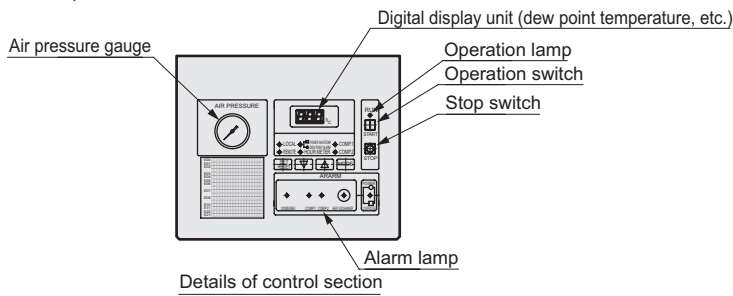
Model No.	A	B	C	D	E	F	G	H	I	J	K	L	M	N	O	P
GT9120D	470	1244	1286	249	655	60	1375	580	97	905	620	303	2 1/2 B	300	400	M10
GT9150D	700	1290	1332	305	720	225	1432	810	67	1030	850	325	3B	350	420	M16
GT9190D	700	1290	1332	107	860	225	1432	810	67	1030	850	325	3B	350	420	M16

Dimensions

● GT9240



● GT9300, GT9380



*1: The dew point display value is a guide, and is not the actual dew point.
To measure the actual dew point, measure the secondary side air with a dew point gauge.

INDEX

Precautions

Dryer system list

Refrigeration dryer

Desiccant dryer

High polymer membrane dryer

Air filter

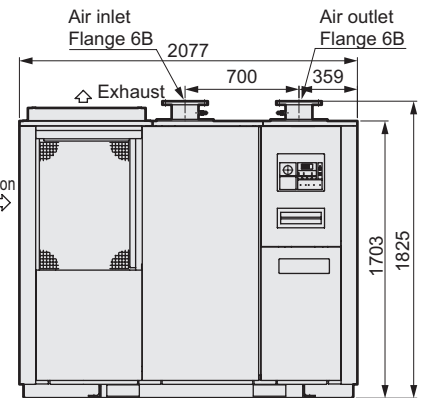
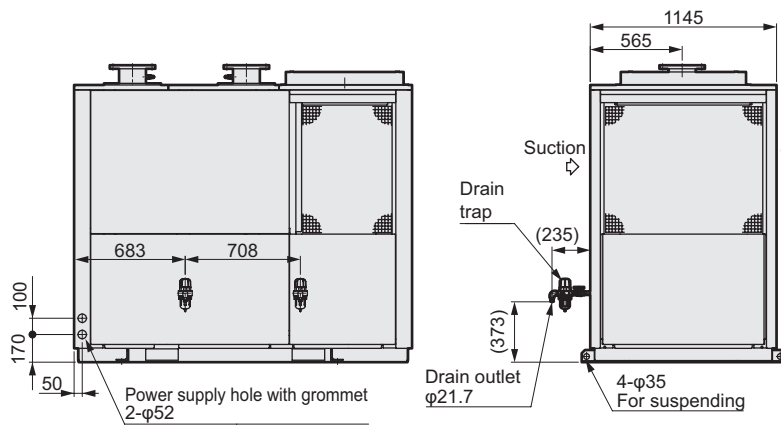
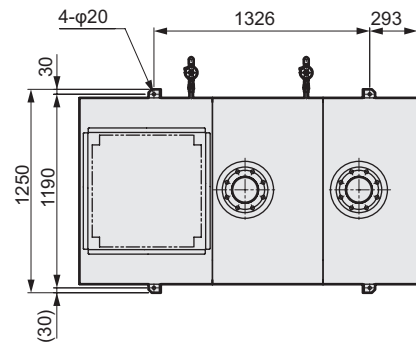
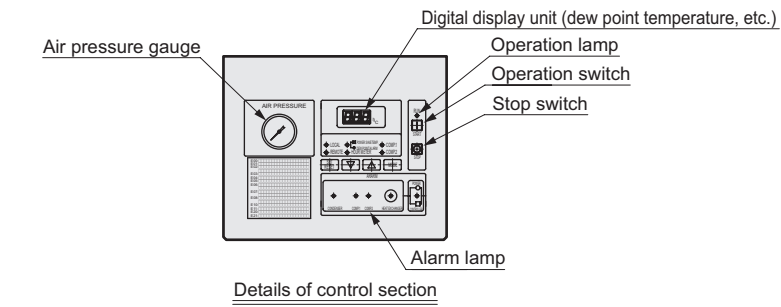
Drain discharger, etc.

Flow rate sensor

GT9000(D) Series

Dimensions

● GT9450



*1: The dew point display value is a guide, and is not the actual dew point.
To measure the actual dew point, measure the secondary side air with a dew point gauge.

INDEX

Precautions

Dryer
system list

Refrigeration
dryer

Desiccant
dryer

High polymer
membrane dryer

Air filter

Drain discharger,
etc.

Flow rate sensor



Refrigerated air dryer Xeroaqua Water cooling

GT9000W(D) Series

For direct air compressor connection, standard inlet air

Applicable air compressor: 75, 90, 120, 150, 190, 240, 300, 380, 450 kW

JIS symbol



Specifications

Model No.	GT9075WD	GT9090WD	GT9120WD	GT9150WD	GT9190WD	GT9240W	GT9300W	GT9380W	GT9450W											
Applicable air compressor kW	75	90	120	150	190	240	300	380	450											
Working range	Working fluid										Compressed air									
	Inlet air temperature °C										5 to 60									
	Inlet air pressure MPa										0.29 to 0.98					0.1 to 0.98		0.29 to 0.93		
	Cooling water inlet pressure MPa										0.2 to 0.74									
	Ambient temperature °C										2 to 48					2 to 45				
Rating	Processing air rate m ³ /min (ANR) 50/60 Hz (*2)										11.4/13.2	16.3/18.9	20.8/23.8	25.9/30.1	32.9/38.6	39.9/47.0	48.4/57.0	60.3/71.0	79.0/93.0	
	Processing air rate m ³ /min (Compressor intake condition) 50/60 Hz (*3)										12.1/14.0	17.3/20.1	22.1/25.3	27.5/32.0	35.0/41.0	41.9/49.4	50.8/59.9	63.3/74.6	83.0/97.7	
	Inlet air temperature °C										40									
	Inlet air pressure MPa										0.7									
	Cooling water inlet temperature °C										32									
	Cooling water volume m ³ /h 50/60 Hz										1.5/1.7	2.4/2.8	2.5/2.9	2.7/3.0	3.0/3.2	3.6/3.8	3.4/4.0	4.3/5.0	6.0/7.1	
	Ambient temperature °C										32									
Performance	Outlet air pressure dew point °C										10 (*4)									
Power supply										Three-phase 200/200, 220 VAC 50/60 Hz										
Electrical specifications	Power consumption kW 50/60 Hz (*5)										1.7/2.0, 2.0	2.1/2.6, 2.5	2.1/2.6, 2.5	3.5/4.2, 4.2	4.7/6.2, 6.1	3.5/4.4, 4.3	5.1/5.7, 5.7	6.5/7.6, 7.5	8.5/9.0, 8.9	
	Current consumption A 50/60 Hz (*5)										8.0/8.0, 8.0	8.6/9.4, 8.9	8.6/9.4, 8.9	11.5/12.0, 11.0	15.5/17.0, 16.0	14.8/15.0, 14.9	17.6/18.9, 18.4	22.5/25.0, 24.5	29.6/32.0, 31.4	
	Starting current A 50/60 Hz										110/100	110/115	110/115	140/155	165/190	135/135	83/77	98/91	135/135	
Refrigerant										R-410A					R-407C					
Air inlet and outlet port size (*6)										R2	R2	Flange 2 1/2B	Flange 3B	Flange 4B	Flange 5B	Flange 6B	Flange 6B	Flange 6B		
Weight kg										140	183	203	270	277	532	790	870	940		

*1: Outer panel: Quality cool white (Munsell No. 5GY7.5/0.5)

Base: Munsell No. N3.0

*2: ANR shows conditions of 20°C atmospheric pressure and relative humidity 65%.

*3: Value converted into air compressor intake state at 32°C atmospheric pressure and relative humidity 75%.

*4: Contact CKD for information on the dew point performance guarantee.

*5: The power consumption and current consumption are both reference values under the rated conditions, and are not guaranteed values.

*6: The flange is JIS 10K FF or equivalent.

How to order (water-cooling)

GT9 **075WD** - **G** - **AC380V**

A Capacity category

B Option
*1

C Voltage
*2

Code	Content
A Capacity category	
075WD	75 kW
090WD	90 kW
120WD	120 kW
150WD	150 kW
190WD	190 kW
240W	240 kW
300W	300 kW
380W	380 kW
450W	450 kW
B Option	
Blank	Standard products
G	Different voltage compatible
H2	Stainless steel nameplate
H3	Simple export packaging *3
N1	Copper tube rust proof coating
Q1	Drain piping right (GT9075WD to GT9190WD only)
C Voltage	
200 VAC	
220 VAC (60 Hz only standard)	
230 VAC	
240 VAC	
380 VAC	
400 VAC	
415 VAC	
440 VAC	
480 VAC	



Precautions for model No. selection

- *1 : Indicate options in alphabetical order.
- *2 : Specify the voltage for Item **C** even when the model is a standard product.
(Example) GT9090WD-AC200V
- *3 : Option H3 is packaged in plywood.
- *4 : The instruction manual and nameplates are provided in Japanese and English.
However, the proof pressure certificate (GT9240W and over) is available as Japanese text only. Contact CKD when an English version is required.
- *5 : Contact CKD if a photo of the completed product is required.
- *6 : Contact CKD to designate the color of the body panel.

INDEX

Precautions

Dryer system list

Refrigeration dryer

Desiccant dryer

High polymer membrane dryer

Air filter

Drain discharger, etc.

Flow rate sensor

GT9000W(D) Series

Selection guide (GT9075WD to 9190WD)

(1) Temperature compensation coefficient

GT9075WD, GT9090WD, GT9120WD

Inlet air temperature (°C)	35			40			45			50			55			60		
Pressure dew point (°C)	5	10	15	5	10	15	5	10	15	5	10	15	5	10	15	5	10	15
Coefficient	0.68	1.15	1.15	0.57	1.00	1.09	0.46	0.83	0.90	0.34	0.67	0.72	0.22	0.58	0.65	0.10	0.48	0.55

GT9150WD

Inlet air temperature (°C)	35			40			45			50			55			60		
Pressure dew point (°C)	5	10	15	5	10	15	5	10	15	5	10	15	5	10	15	5	10	15
Coefficient	0.68	1.15	1.15	0.57	1.00	1.09	0.46	0.83	0.90	0.34	0.67	0.72	0.22	0.58	0.65	0.10	0.48	0.55

GT9190WD

Inlet air temperature (°C)	35			40			45			50			55			60		
Pressure dew point (°C)	5	10	15	5	10	15	5	10	15	5	10	15	5	10	15	5	10	15
Coefficient	0.68	1.15	1.15	0.57	1.00	1.09	0.46	0.83	0.90	0.34	0.67	0.72	0.22	0.58	0.65	0.10	0.48	0.55

(2) Inlet air pressure coefficient

Inlet air pressure (MPa)	0.29	0.30	0.40	0.50	0.60	0.70	0.80	0.90	0.98
Coefficient	0.80	0.80	0.86	0.92	0.96	1.00	1.04	1.08	1.12

(3) Ceiling coefficient

Working conditions (inlet air pressure (MPa))	0.29	0.30	0.40	0.50	0.60	0.70	0.80	0.90	0.98
Coefficient	0.92	0.92	0.98	1.05	1.10	1.15	1.19	1.24	1.28

When determining the appropriate model from the reference processing air rate of each model No.

Reference processing air rate × (1) Temperature correction coefficient × (2) Inlet air pressure coefficient = Maximum processing air rate

*1: Select with conditions where the value of the product of each coefficient ((1)×(2)) does not exceed the ceiling coefficient of (3).

Conditions	Working conditions	Selecting conditions	Coefficient
Inlet air temperature	30 to 33°C	35°C	(1) 1.15
Pressure dew point	10°C	10°C	
Inlet air pressure	0.55 to 0.75 MPa	0.5 MPa	(2) 0.92
Frequency	50 Hz	50 Hz	50 Hz

Substitute the above conditions into the equation above to obtain the processing air rate when using the GT9150WD.

Product of each coefficient

$$(1) \times (2) = 1.15 \times 0.92 = 1.05$$

As the (3) ceiling coefficient of 1.05, when the inlet air pressure of the working conditions is 0.5 MPa, is not exceeded, the max. processing air rate will be 25.9 (reference processing air rate) × 1.05 = 27.1 m³/min(ANR).

If the used air quantity is less than or equal to this value, select that model.

Selection guide (GT9240W to GT9450W)

(1) Temperature compensation coefficient

Inlet air temperature (°C)	35		40		45	
Pressure dew point (°C)	10	15	10	15	10	15
Coefficient	1.20	1.29	1.00	1.09	0.80	0.87
Inlet air temperature (°C)	50		55		60	
Pressure dew point (°C)	10	15	10	15	10	15
Coefficient	0.60	0.65	0.40	0.44	0.20	0.22

(2) Inlet air pressure coefficient

Inlet air pressure (MPa)	0.10	0.20	0.29	0.30	0.40	0.50	0.60	0.70	0.80	0.90	0.93	0.98
Coefficient	0.60	0.66	0.72	0.73	0.80	0.87	0.93	1.00	1.07	1.13	1.15	1.19

(3) Ceiling coefficient

Working conditions (inlet air pressure (MPa))	0.10	0.20	0.29	0.30	0.40	0.50	0.60	0.70	0.80	0.90	0.93	0.98
Coefficient	0.77	0.85	0.92	0.94	1.03	1.12	1.19	1.29	1.38	1.45	1.48	1.53

When determining the appropriate model from the reference processing air rate of each model No.

Reference processing air rate × (1) Temperature correction coefficient × (2) Inlet air pressure coefficient = Maximum processing air rate

*1: Select with conditions where the value of the product of each coefficient ((1)×(2)) does not exceed the ceiling coefficient of (3).

Conditions	Working conditions	Selecting conditions	Coefficient
Inlet air temperature	30 to 33°C	35°C	(1) 1.20
Pressure dew point	10°C	10°C	
Inlet air pressure	0.55 to 0.75 MPa	0.5 MPa	(2) 0.87
Frequency	50 Hz	50 Hz	50 Hz

Substitute the above conditions into the equation above to obtain the processing air rate when using the GT9240W.

Product of each coefficient

$$(1) \times (2) = 1.20 \times 0.87 = 1.04$$

As the (3) ceiling coefficient of 1.12, when the inlet air pressure of the working conditions is 0.5 MPa, is not exceeded, the max. processing air rate will be 39.9 (reference processing air rate) × 1.04 = 41.4 m³/min(ANR).

If the used air quantity is less than or equal to this value, select that model.

*2: For compatibility with pressure dew points of less than 10°C, contact CKD separately.

INDEX

Precautions

Dryer system list

Refrigeration dryer

Desiccant dryer

High polymer membrane dryer

Air filter

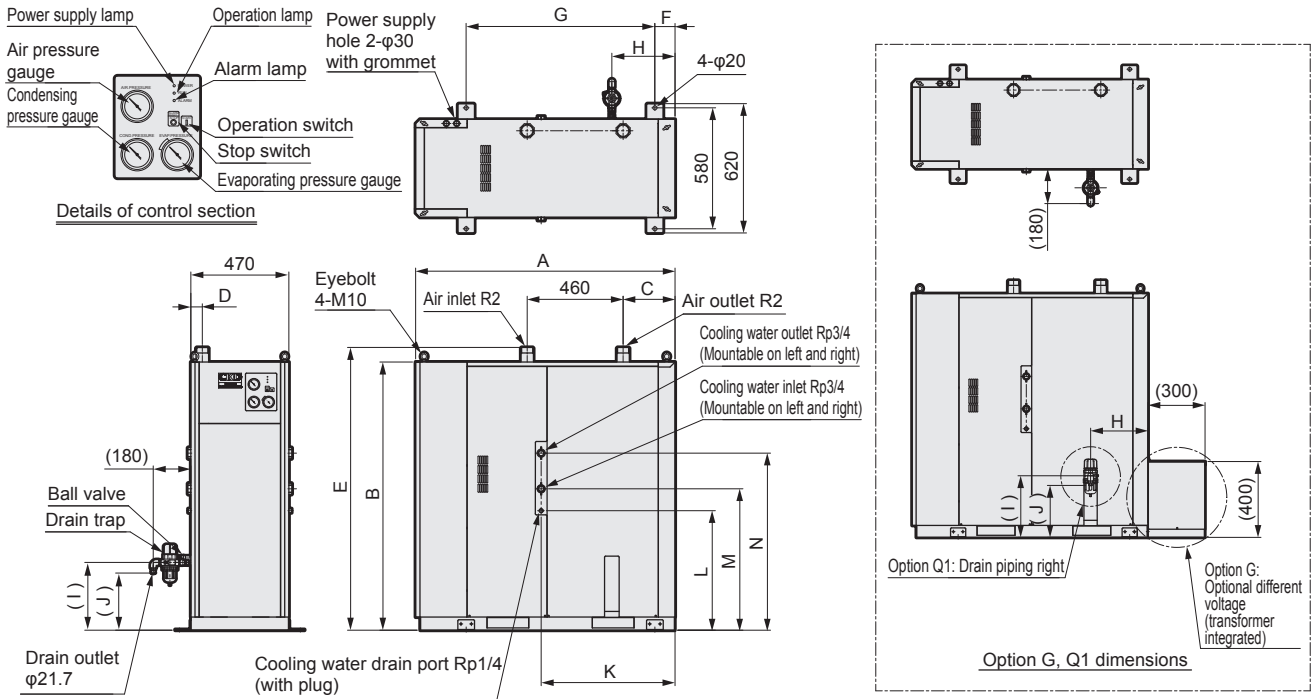
Drain discharger, etc.

Flow rate sensor

GT9000W(D) Series

Dimensions

● GT9075WD, GT9090WD

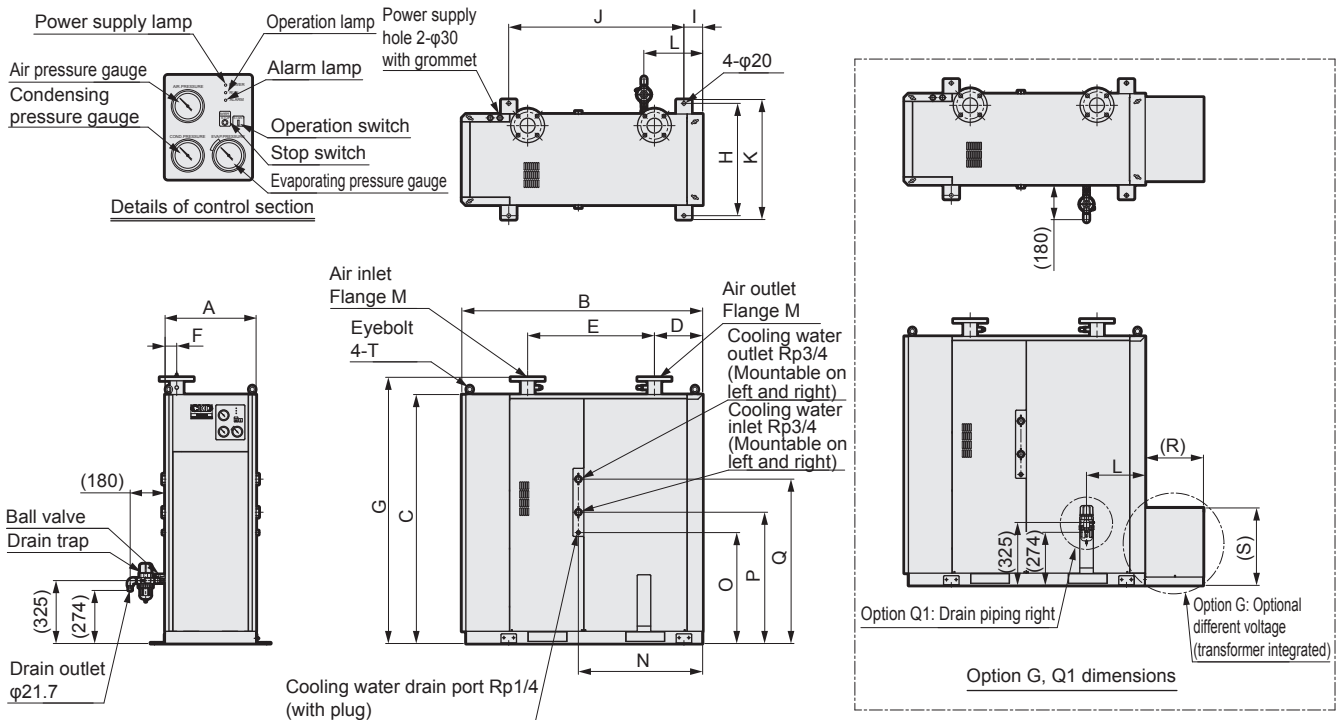


*1: The drain trap and ball valve are attachments.

*2: Select either the right or left panel for installation of the cooling water piping. The installation position will be symmetrical on both the right and left side panels.

Model No.	A	B	C	D	E	F	G	H	I	J	K	L	M	N
GT9075WD	1081	1140	287	235	1204	67	868	287	320	269	486	505	665	778
GT9090WD	1244	1286	249	55	1356	97	905	303	325	274	642	573	678	849

● GT9120WD, GT9150WD, GT9190WD



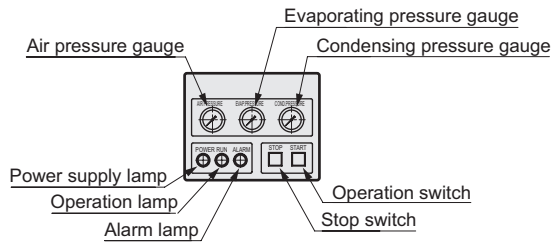
*1: The drain trap and ball valve are attachments.

*2: Select either the right or left panel for installation of the cooling water piping. The installation position will be symmetrical on both the right and left side panels.

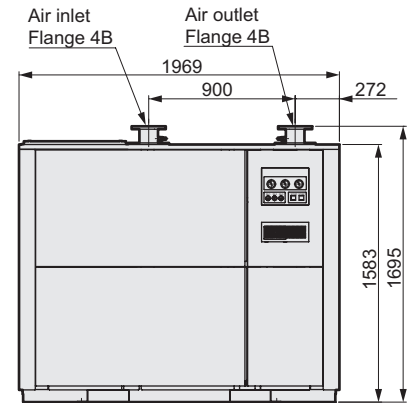
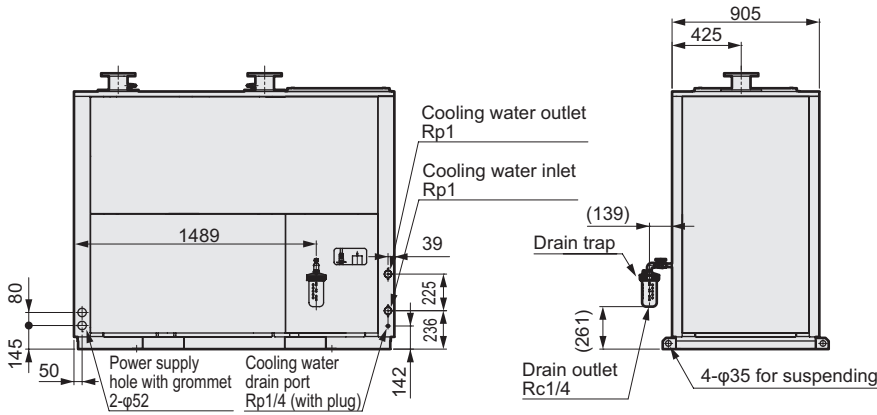
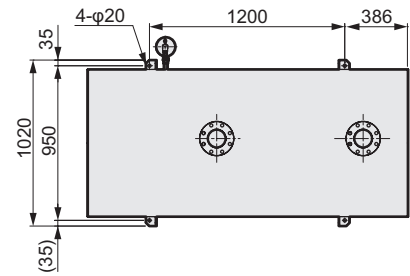
Model No.	A	B	C	D	E	F	G	H	I	J	K	L	M	N	O	P	Q	R	S	T
GT9120WD	470	1244	1286	249	655	60	1375	580	97	905	620	303	2 1/2 B	642	573	678	849	300	400	M10
GT9150WD	700	1290	1332	305	720	225	1432	810	67	1030	850	325	3B	1000	120	190	563	350	420	M16
GT9190WD	700	1290	1332	107	860	225	1432	810	67	1030	850	325	3B	1000	120	190	563	350	420	M16

Dimensions

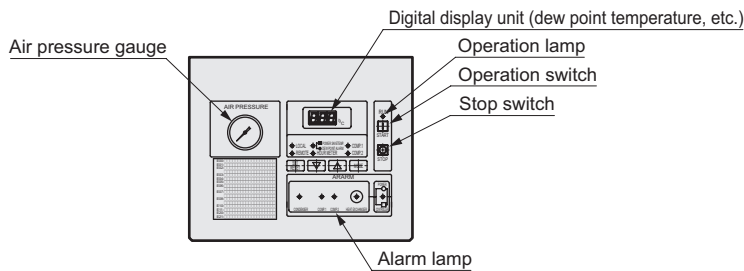
● GT9240W



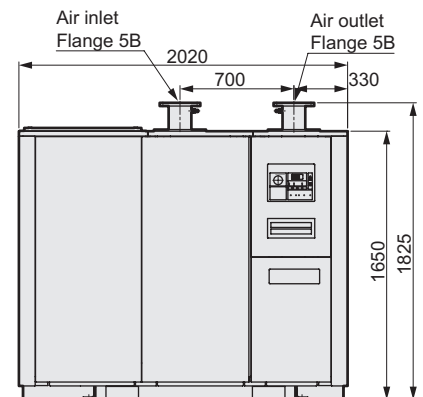
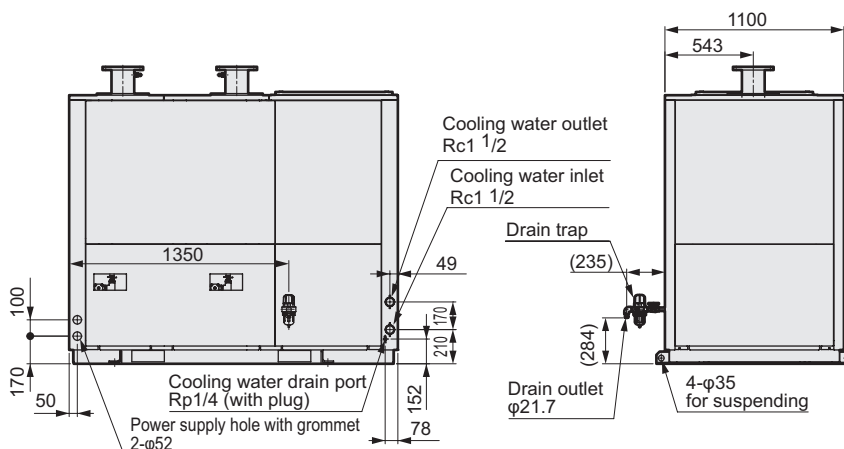
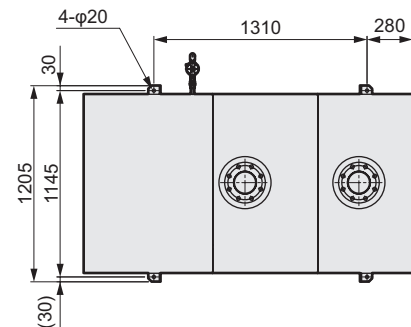
Details of control section



● GT9300W, GT9380W



Details of control section



*1: The dew point display value is a guide, and is not the actual dew point. To measure the actual dew point, measure the secondary side air with a dew point gauge.

INDEX

Precautions

Dryer system list

Refrigeration dryer

Desiccant dryer

High polymer membrane dryer

Air filter

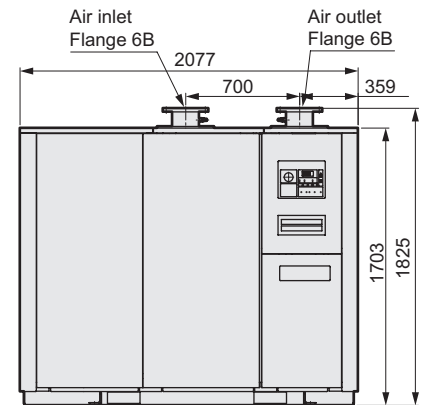
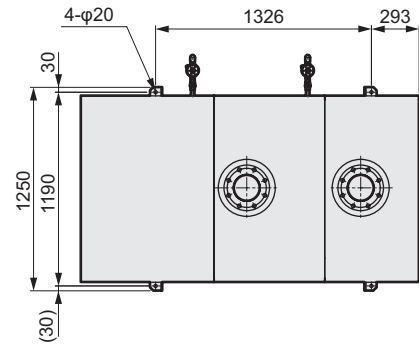
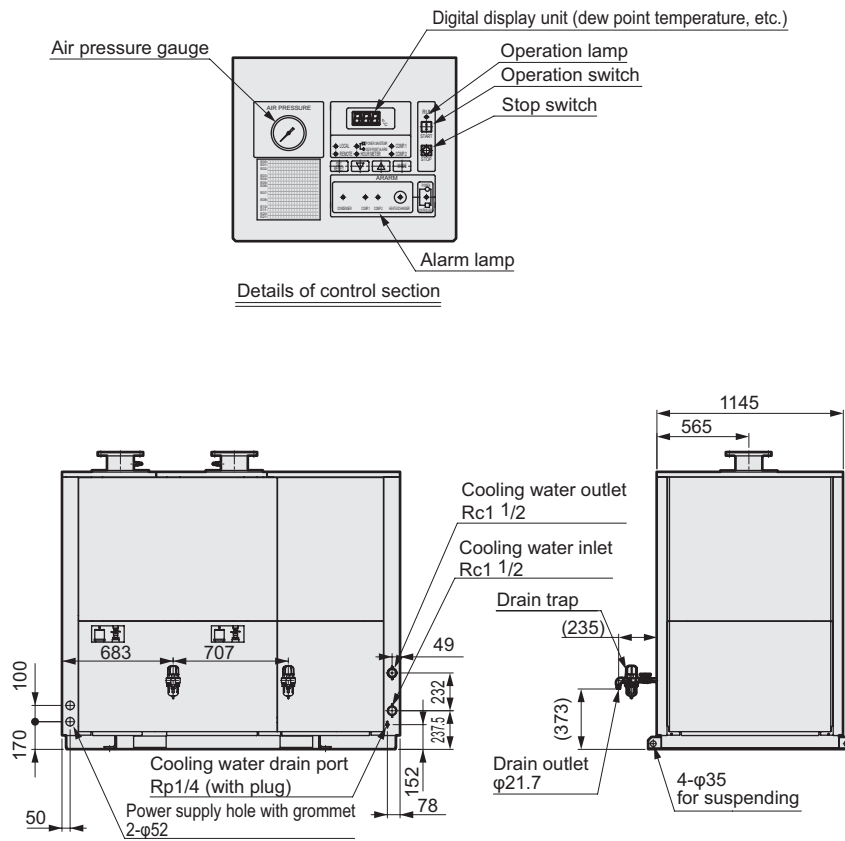
Drain discharger, etc.

Flow rate sensor

GT9000W(D) Series

Dimensions

● GT9450W



*1: The dew point display value is a guide, and is not the actual dew point.
To measure the actual dew point, measure the secondary side air with a dew point gauge.

INDEX
Precautions
Dryer system list
Refrigeration dryer
Desiccant dryer
High polymer membrane dryer
Air filter
Drain discharger, etc.
Flow rate sensor



Refrigerated air dryer Xeroaqua (Inverter controlled water cooling)

GT9000WV2 Series

For direct air compressor connection, standard inlet air

Applicable air compressor: 710,960 kW

JIS symbol



Specifications

Model No.		GT9710WV2	GT9960WV2
Applicable air compressor	kW	710	960
Working range	Working fluid	Compressed air	
	Inlet air temperature	°C 5 to 60	
	Inlet air pressure	MPa 0.1 to 0.93	
	Cooling water inlet pressure	MPa 0.2 to 0.74	
	Ambient temperature	°C 2 to 50	
Rating	Processing air rate m ³ /min (ANR) 50/60 Hz (*2)	139.1	184.2
	Processing air rate m ³ /min (compressor intake condition) 50/60 Hz (*3)	146.1	193.4
	Inlet air temperature	°C 40	
	Inlet air pressure	MPa 0.7	
	Cooling water inlet temperature	°C 32	
	Cooling water volume m ³ /h 50/60 Hz	10.7	14.2
	Ambient temperature	°C 32	
	Outlet air pressure dew point	°C 10 (*4)	
Outlet air pressure dew point switching range	°C 10 to 18 (Manual setting/outside temperature linkage switching function equipped)		
Power supply	Three-phase 200/200, 220 VAC 50/60 Hz (*5)		
Electrical specifications	Power consumption kW 50/60 Hz (*6)	14.8	19.6
	Current consumption A 50/60 Hz (*6)	49.0	68.6
Refrigerant	R-407C		
Air inlet and outlet port size (*7)	Flange 8B		
Weight	kg	1330	2200

*1 : Outer panel: Quality cool white (Munsell No. 5GY7.5/0.5)
Base: Munsell No. N3.0

*2 : ANR shows conditions of 20°C atmospheric pressure and relative humidity 65%.

*3 : Value converted into air compressor intake state at 32°C atmospheric pressure and relative humidity 75%.

*4 : Contact CKD for information on the dew point performance guarantee.

*5 : Make sure that the imbalance between phases of the power supply voltage is within ±2%.

*6 : The power consumption and current consumption are both reference values under the rated conditions, and are not guaranteed values.

*7 : Flange is a 10K flange.

How to order (inverter controlled water-cooling)

GT9 **710** WV2 - **G** - **AC380V**

A Capacity category

B Option
*1

C Voltage
*2

Code	Content
A Capacity category	
710	710 kW
960	960 kW
B Option	
Blank	Standard products
G	Different voltage compatible
H2	Stainless steel nameplate
H3	Simple export packaging
N1	Copper tube rust proof coating
C Voltage	
200 VAC	
220 VAC (60 Hz only standard)	
230 VAC	
240 VAC	
380 VAC	
400 VAC	
415 VAC	
440 VAC	
480 VAC	



Precautions for model No. selection

- *1 : Indicate options in alphabetical order.
- *2 : Specify the voltage for Item **C** even when the model is a standard product.
(Example) GT9710WV2-AC200V
- *3 : Option H3 is packaged in plywood.
- *4 : The instruction manual and nameplates are provided in Japanese and English. However, the proof pressure certificate is available as Japanese text only. Contact CKD when an English version is required.
- *5 : Contact CKD if a photo of the completed product is required.
- *6 : Contact CKD to designate the color of the body panel.

Selection guide

(1) Temperature compensation coefficient

Inlet air temperature (°C)	35		40		45	
Pressure dew point (°C)	10	18	10	18	10	18
Coefficient	1.20	1.20	1.00	1.20	0.80	0.96
Inlet air temperature (°C)	50		55		60	
Pressure dew point (°C)	10	18	10	18	10	18
Coefficient	0.60	0.72	0.40	0.48	0.20	0.24

(2) Inlet air pressure coefficient

Inlet air pressure (MPa)	0.10	0.20	0.30	0.40	0.50	0.60	0.70	0.80	0.90	0.93
Coefficient	0.60	0.66	0.73	0.80	0.87	0.93	1.00	1.07	1.13	1.15

(3) Ceiling coefficient

Working conditions (inlet air pressure (MPa))	0.10	0.20	0.30	0.40	0.50	0.60	0.70	0.80	0.90	0.93
Coefficient	0.72	0.79	0.87	0.96	1.04	1.11	1.20	1.28	1.35	1.38

When determining the appropriate model from the reference processing air rate of each model No.

Reference processing air rate × (1) Temperature correction coefficient × (2) Inlet air pressure coefficient = Maximum processing air rate

Note: Select with conditions where the value of the product of each coefficient ((1)×(2)) does not exceed the ceiling coefficient of (3).

Conditions	Working conditions	Selecting conditions	Coefficient
Inlet air temperature	38 to 43°C	45°C	(1) 0.80
Pressure dew point	15°C	10°C	
Inlet air pressure	0.55 to 0.75 MPa	0.5 MPa	(2) 0.87
Frequency	50 Hz	50 Hz	50 Hz

Substitute the above conditions into the equation above to obtain the processing air rate when using the GT9710WV2.

Product of each coefficient

$$(1) \times (2) = 0.80 \times 0.87 = 0.69$$

As the (3) ceiling coefficient of 1.04, when the inlet air pressure of the working conditions is 0.5 MPa, is not exceeded, the max. processing air rate will be 139.1 (reference processing air rate) × 0.69 = 95.9 m³/min(ANR).

If the used air quantity is less than or equal to this value, select that model.

INDEX

Precautions

Dryer
system list

Refrigeration
dryer

Desiccant
dryer

High polymer
membrane dryer

Air filter

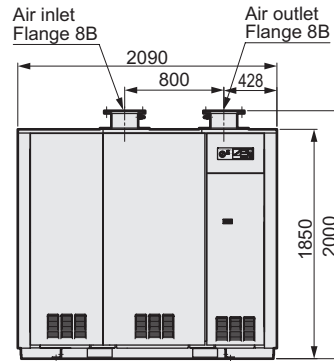
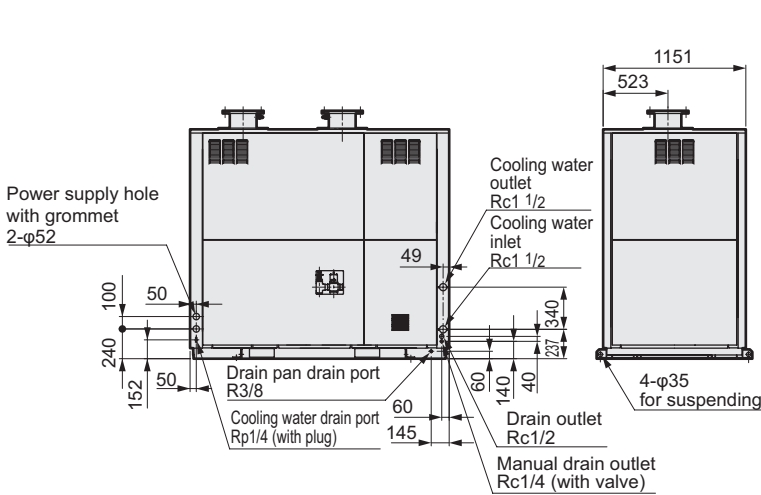
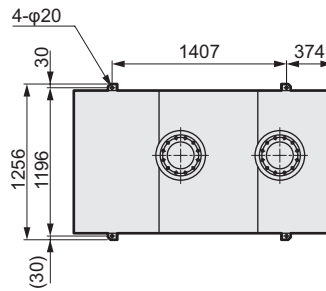
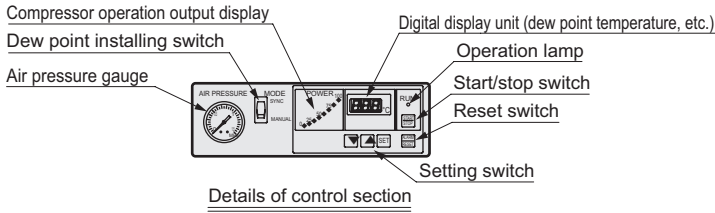
Drain discharger,
etc.

Flow rate sensor

GT9000WV2 Series

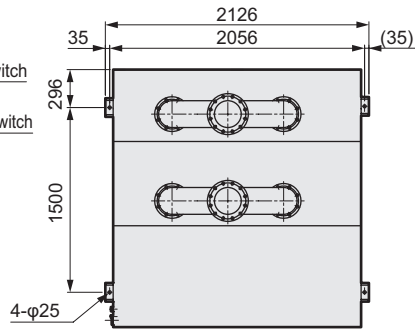
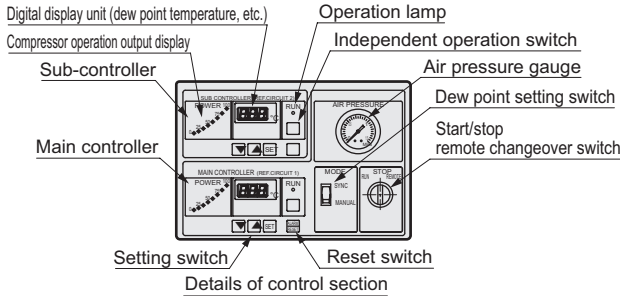
Dimensions

● GT9710WV2

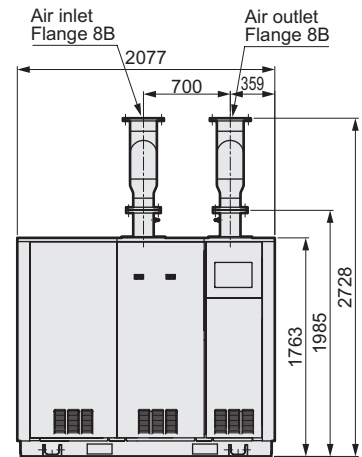
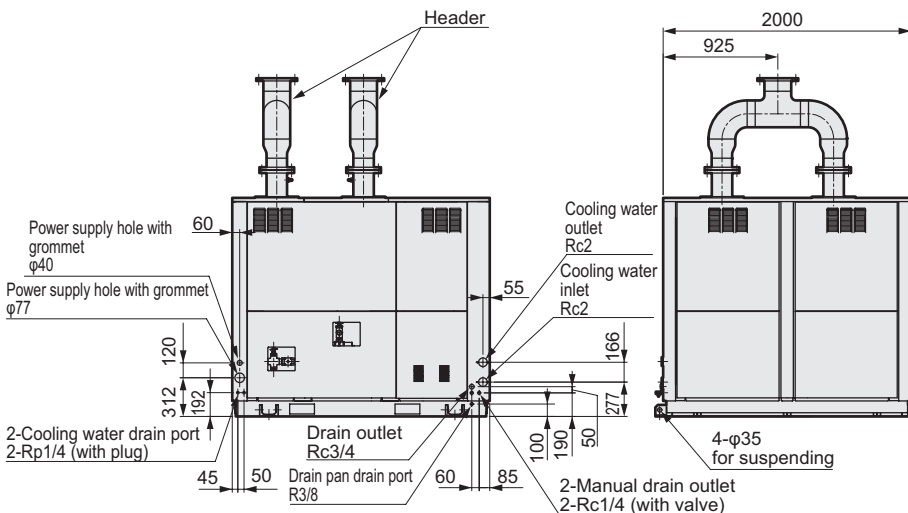


*1 : The dew point display value is a guide, and is not the actual dew point.
To measure the actual dew point, measure the secondary side air with a dew point gauge.

● GT9960WV2



*1: Display contents of the main controller and sub-controller are the same.

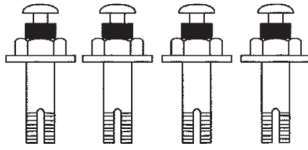


*2 : The bolts and nuts for installation of the header and gasket are attachments.

*3 : The dew point display value is a guide, and is not the actual dew point.
To measure the actual dew point, measure the secondary side air with a dew point gauge.

Accessory (optional)

■ Foundation bolt



Core rod implant foundation bolts: Set of 4, made of stainless steel

Compatibility		No.	RD-QFL-436465	RD-QFL-436466
		Size	M16xL100	M20xL130
GT9075D	GT9075WD		○	
GT9090D	GT9090WD		○	
GT9120D	GT9120WD		○	
GT9150D	GT9150WD		○	
GT9190D	GT9190WD		○	
GT9240	GT9240W		○	
GT9300	GT9300W		○	
GT9380	GT9380W		○	
GT9450	GT9450W		○	
		GT9710WV2	○	
		GT9960WV2		○

■ Companion flange

Set of insert welded flanges, hexagon head bolts, nuts, and gasket

Compatibility		No.	RD-KFL-436467	RD-KFL-436468	RD-KFL-436469	RD-KFL-436470	RD-KFL-436471	RD-KFL-436472
		Size	Flange 2 1/2B	Flange 3B	Flange 4B	Flange 5B	Flange 6B	Flange 8B
GT9120D	GT9120WD		○					
GT9150D	GT9150WD			○				
GT9190D	GT9190WD			○				
GT9240	GT9240W				○			
GT9300	GT9300W					○		
GT9380	GT9380W					○		
GT9450	GT9450W						○	
		GT9710WV2						○
		GT9960WV2						○

INDEX

Precautions

Dryer
system list

Refrigeration
dryer

Desiccant
dryer

High polymer
membrane dryer

Air filter

Drain discharger,
etc.

Flow rate sensor