



Manual air dryer (desiccant)

4001/4002 Series

Stable supply of ultra dry air with atmospheric dew point -72°C .

- Processing air flow rate: 280 ℓ/min (ANR) or less



Specifications

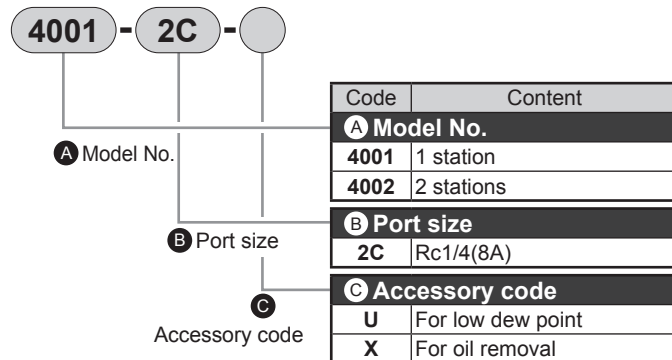
Descriptions	4001-2C	4002-2C
Max. working pressure MPa	1.0 *1	
Proof pressure MPa	1.5	
Inlet air temperature range $^{\circ}\text{C}$	5 to 32	
Ambient temperature $^{\circ}\text{C}$	5 to 65	
Atmospheric dew point $^{\circ}\text{C}$	-43	
Max. flow rate ℓ/min (ANR)	280 (at 0.7 MPa) *2, *3	
Desiccant	Silica gel	
Port size Rc	1/4	1/4
Weight kg	4.6	10

*1: The working pressure of 4002-2C is 0.2 MPa to 1.0 MPa.

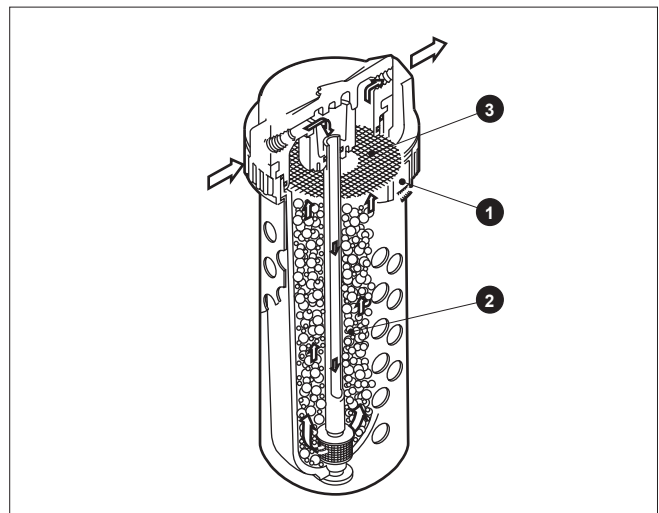
*2: The max. flow rate at 0.7 MPa inlet air pressure calculated with the atmospheric pressure conversion value.

*3: The min. flow rate required for 4002-2C is 30 ℓ/min (ANR).

How to order



Functions



- (1) Clamp ring
Push-in clamp ring for easy replacement of desiccant.
- (2) Desiccant
Silica gel (atmospheric dew point: -43°C) and other molecular sieves (atmospheric dew point: -72°C) are provided as desiccant. Very small holes of these desiccants trap moisture from the passing compressed air, which is known as capillary action, and thus dry the compressed air.
- (3) Screen
Desiccant prevents scattering due to air flow.

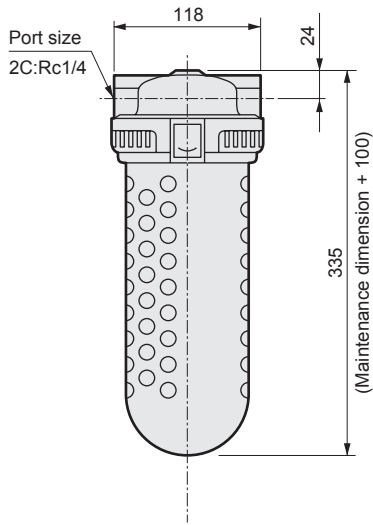
Performance list

Model No.	Atmospheric dew point	Max. inlet air temperature	Max. flow rate	Desiccant	Desiccant No.	Remarks
4001-2C 4002-2C	-43°C	32°C	280 ℓ/min (ANR)	Silica gel	4001-SILICA-GEL	Non-regenerable
4001-2C-U 4002-2C-U	-72°C	32°C	280 ℓ/min (ANR)	4AM.S.	85-060	Non-regenerable
4001-2C-X 4002-2C-X	Oil removal 24 PPM $\frac{w}{w}$	32°C	280 ℓ/min (ANR)	13XM.S.	85-061	Non-regenerable

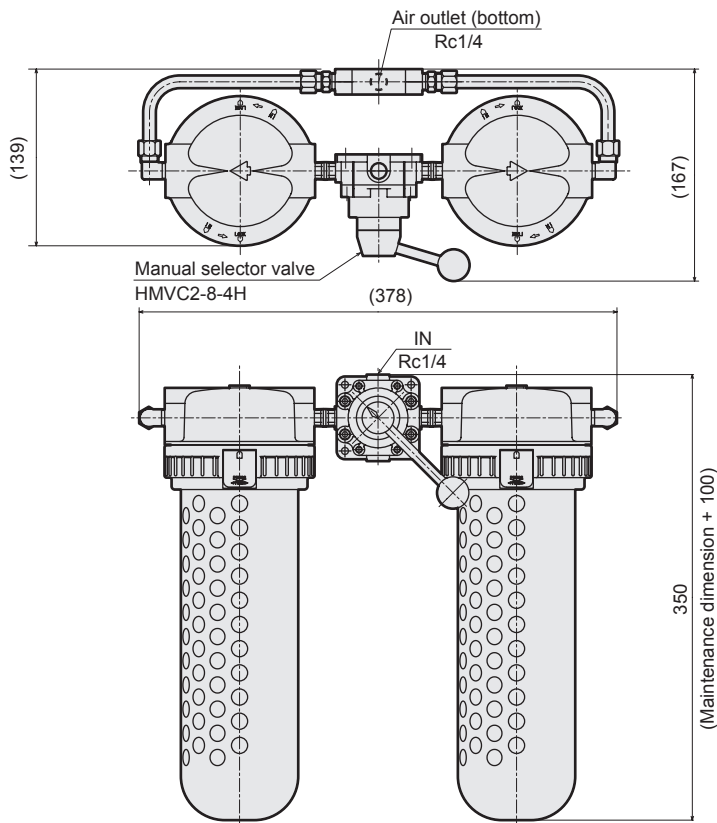
Note: M.S. means molecular sieves.

Dimensions

● 4001-2C



● 4002-2C



⚠ Safety precautions

- Fill the bowl with desiccant up to just below the screen (approximately 0.8 kg). Be careful not to allow any desiccant to enter the tube.
- Keep the max. flow rate below 280 l/min. Replace the desiccant (silica gel) if it has changed from green to orange. The desiccant adsorbs approx. 100 g of moisture. (Desiccant weight 0.8 kg included)
- Use 4001-2C-U if the atmospheric dew point of -72°C is required. As the color does not change even when moisture is adsorbed, attach a moisture indicator (6119-2C) after 4001-2C-U or 4002-2C-U. Desiccant service life can be checked.
- To remove oil of the compressed air, use 4001-2C-X or 4002-2C-X. The color will change from yellowish brown to blackish brown when oil is adsorbed. Replace it when the color has changed. 113 g of oil content is adsorbed before replacement.
- Avoid direct sunlight.
- Installing an air filter is recommended to obtain cleaner air.
- Carefully prevent water drops from entering the inside. Otherwise heat generation may occur.

INDEX

Precautions

Dryer
system list

Refrigeration
dryer

Desiccant
dryer

High polymer
membrane dryer

Air filter

Drain discharger,
etc.

Flow rate sensor