



Super dryer combination Super dryer (High polymer membrane air dryer)

SU300E/SU400E/SD300E/SD400E-W Series

E Series, with small air loss and filter-like usability

- Reduces operation costs through energy-saving moisture removal with a purge ratio of 10%.
- 3 types of units are available. Appropriate system is available according to applications.
- Processing air flow rate: 75 to 450 ℓ/min. (ANR) (0.7 MPa, atmospheric dew point -15°C)



Specifications

Descriptions	SU301E *-W-C1	SU302E *-W-C1	SU401E *-W-C1	SU402E *-W-C1	SU301E *-W-C2	SU302E *-W-C2	SU401E *-W-C2	SU402E *-W-C2	SU301E *-W-C3	SU302E *-W-C3	SU401E *-W-C3	SU402E *-W-C3	SD301E *-W	SD302E *-W	SD401E *-W	SD402E *-W
Appearance																
	Simple & space saving structure unit that removes moisture from the air from which solid impurities have already been removed. (*1)				Unit supplying clean dry air with line not requiring pressure adjustment.				A unit that supplies pressure-adjusted clean dry air just by supplying compressed air.				Discrete super dryer (High polymer membrane air dryer) enabling easy system configuration with peripheral devices due to modular design.			
Configuration	Oil mist filter Super dryer (High polymer membrane air dryer)				Air filter Oil mist filter (with differential pressure gauge) Super dryer (High polymer membrane air dryer)				Air filter Oil mist filter (with differential pressure gauge) Super dryer (High polymer membrane air dryer) Regulator				Super dryer (High polymer membrane air dryer)			
Range of working conditions	Working fluid															
	Compressed air															
	Inlet air pressure MPa															
	0.4 to 1.0															
	Proof pressure MPa															
1.5																
Inlet air temperature °C																
5 to 50																
Ambient temperature °C																
5 to 50																
Outlet air atmospheric dew point °C																
-15																
Standard rating	Inlet air flow rate ℓ/min(ANR)															
	75	150	300	450	75	150	300	450	75	150	300	450	75	150	300	450
	Outlet air flow ℓ/min(ANR)															
	67	135	270	405	67	135	270	405	67	135	270	405	67	135	270	405
	Purge flow rate ℓ/min(ANR)															
	8	15	30	45	8	15	30	45	8	15	30	45	8	15	30	45
	Inlet air pressure dew point °C															
	25															
Inlet air pressure MPa																
0.7																
Inlet air temperature °C																
25																
Ambient temperature °C																
25																
Air filter	Filtration rating μm				—				5				—			
Oil mist filter	Oil removal mg/m ³															
0.1 (approximately 0.1 ppm) (when the inlet air is 30°C)																
Regulator	Set pressure range MPa								—							
	—								0.05 to 0.85							
Standard accessories	Bracket				Differential pressure gauge/bracket				Press gauge/diff press gauge/bracket				—			
	—				—				Setting pressure plus 0.05				—			

*1: An oil mist filter cannot be controlled with a differential pressure gauge for C1. Replace the oil mist filter mantle every year.

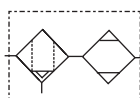
*2: Purge flow rate in standard rating section is also the same value at 0.5 MPa.

JIS symbol

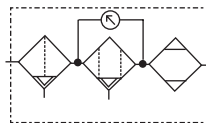
SD301E to 402E-*



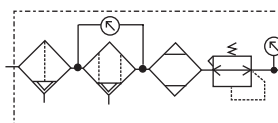
SU301E to 402E-*-C1



SU301E to 402E-*-C2



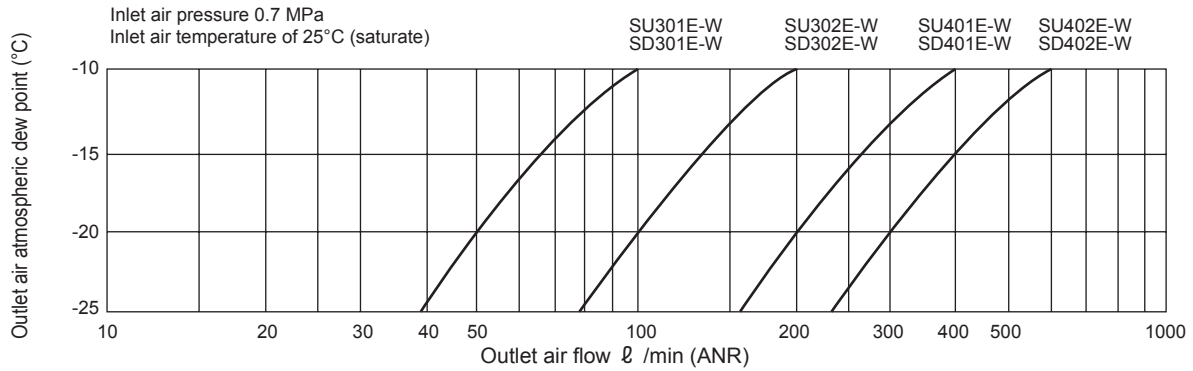
SU301E to 402E-*-C3



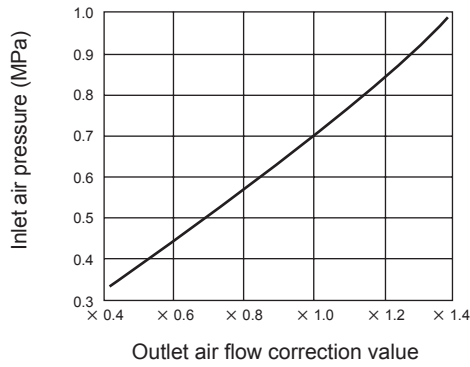
Dew point performance

Refer to page 125 for selection guide and compensation method.

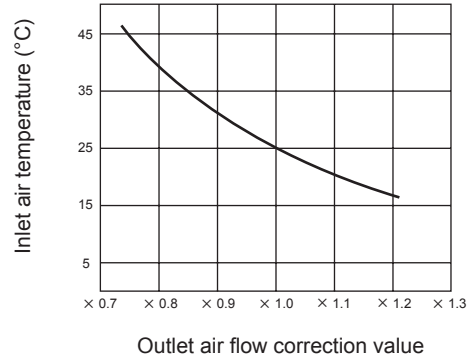
● Dew point performance curve



Inlet pressure - outlet air flow rate correction curve



Inlet temperature - outlet air flow rate correction curve



INDEX

Precautions

Dryer system list

Refrigeration dryer

Desiccant dryer

High polymer membrane dryer

Air filter

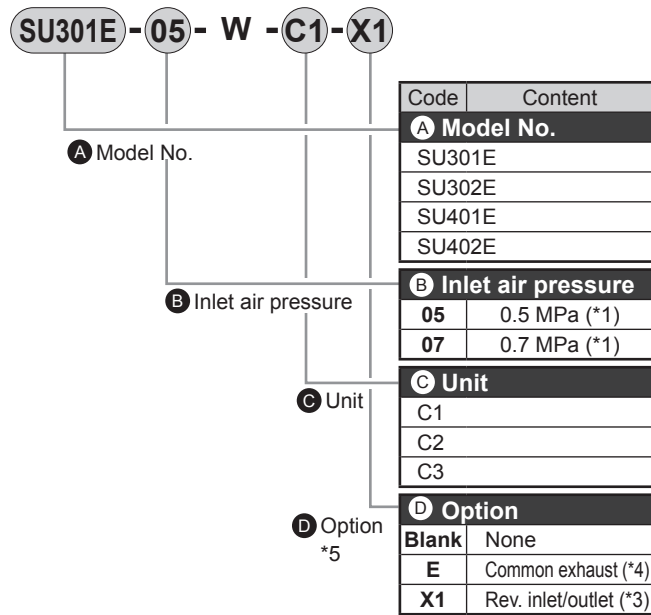
Drain discharger, etc.

Flow rate sensor

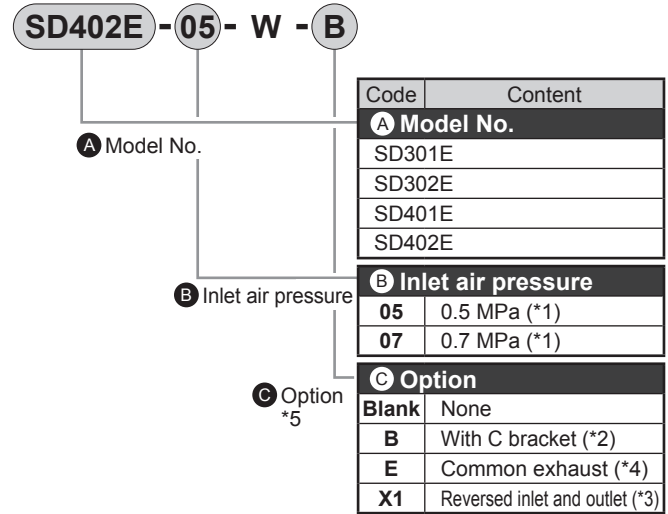
SU₄00E/SD₄00E-W Series

How to order

● Super dryer Combination



● Super dryer (High polymer membrane air dryer)



⚠ Precautions for model No. selection

- *1: If inlet air pressure is less than 0.7 MPa, indicate 05, while 0.7 MPa and over, indicate 07.
- *2: If fixed by C bracket, a modular connection with peripheral devices is not possible.
- *3: Viewed from the front, standard products have an air inlet on the left port and an air outlet on the right port. For "X1", an air inlet is provided on the right port, with an air outlet provided on the left port.
- *4: Purge air from standard products is released into the atmosphere. If "E" is indicated, common exhaust of purge air is enabled. The size of exhaust ports include the Rc1/8 for the 300 Series and the Rc1/4 for the 400 Series.
- *5: When ordering several options, indicate the required options in alphabetical order.

Specifications for rechargeable battery (Catalog No. CC-1226A)

- Design compatible with rechargeable battery manufacturing process

SU*0*E - - P4*

SD*0*E - - P4*

Components

Components Model No.	(1) Air filter	(2) Oil mist filter	(3) Super dryer (High polymer membrane air dryer)	(4) Regulator	(5) Differential pressure gauge
SU301E-*W-C1	—	M3000-10-W-F1	SD301E-*W	—	—
SU302E-*W-C1	—	M4000-10-W-F1	SD302E-*W	—	—
SU401E-*W-C1	—	M4000-10-W-F1	SD401E-*W	—	—
SU402E-*W-C1	—	SM4100-W	SD402E-*W	—	—
SU301E-*W-C2	F3000-10-W-F	M3000-10-W-F1	SD301E-*W	—	GA400-8-P02
SU302E-*W-C2	F4000-10-W-F	M4000-10-W-F1	SD302E-*W	—	GA400-8-P02
SU401E-*W-C2	F4000-10-W-F	M4000-10-W-F1	SD401E-*W	—	GA400-8-P02
SU402E-*W-C2	F4000-10-W-F	SM4100-W	SD402E-*W	—	GA400-8-P02
SU301E-*W-C3	F3000-10-W-F	M3000-10-W-F1	SD301E-*W	R3000-10-W	GA400-8-P02
SU302E-*W-C3	F4000-10-W-F	M4000-10-W-F1	SD302E-*W	R4000-10-W	GA400-8-P02
SU401E-*W-C3	F4000-10-W-F	M4000-10-W-F1	SD401E-*W	R4000-10-W	GA400-8-P02
SU402E-*W-C3	F4000-10-W-F	SM4100-W	SD402E-*W	R4000-10-W	GA400-8-P02

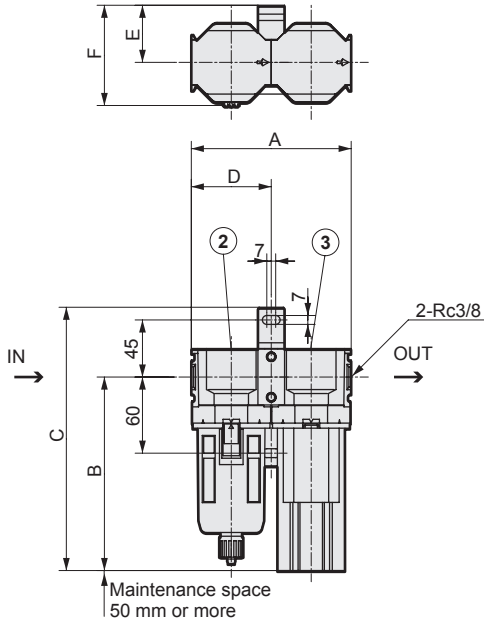
*1: Oil mist filter (SM4100-W) is a custom order product.

SU₄00E/SD₄00E-W Series

Dimensions

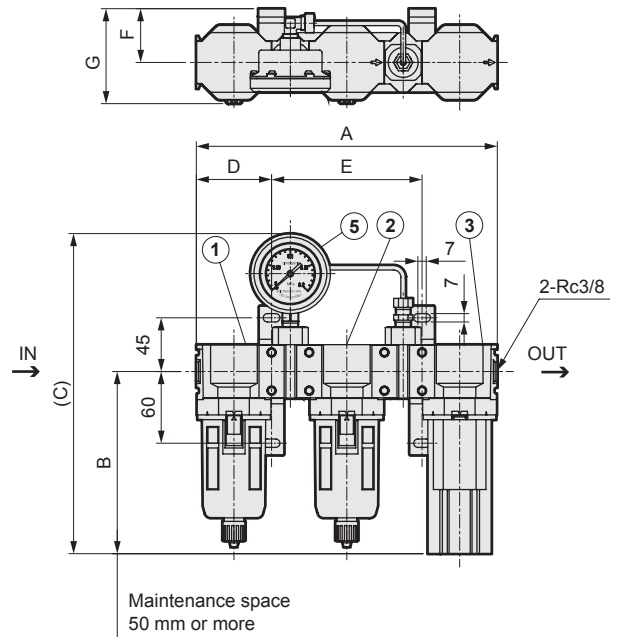
Dimensions

● Unit C1



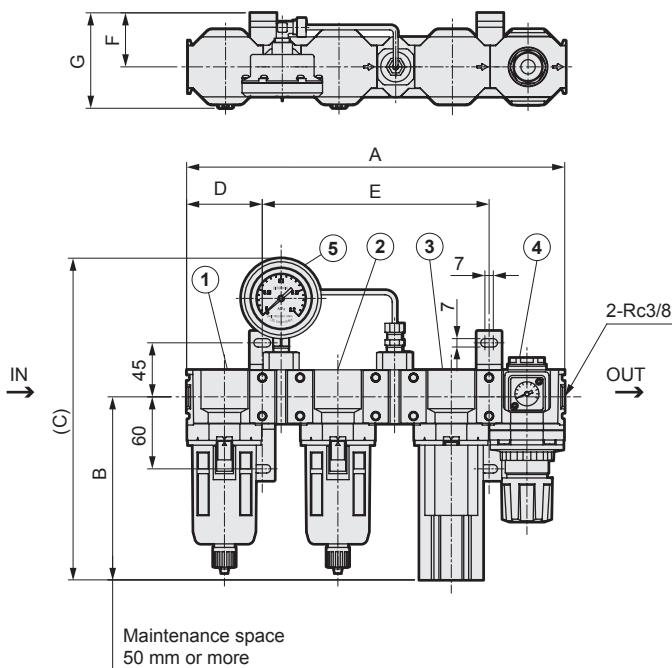
	A	B	C	D	E	F	Wt. (kg)
SU301E-*-W-C1	126	153	208	63	45	79	1.0
SU302E-*-W-C1	143	223	278	80	55	97	1.6
SU401E-*-W-C1	160	223	278	80	55	97	2.1
SU402E-*-W-C1	160	328	383	80	55	95	3.5

● Unit C2



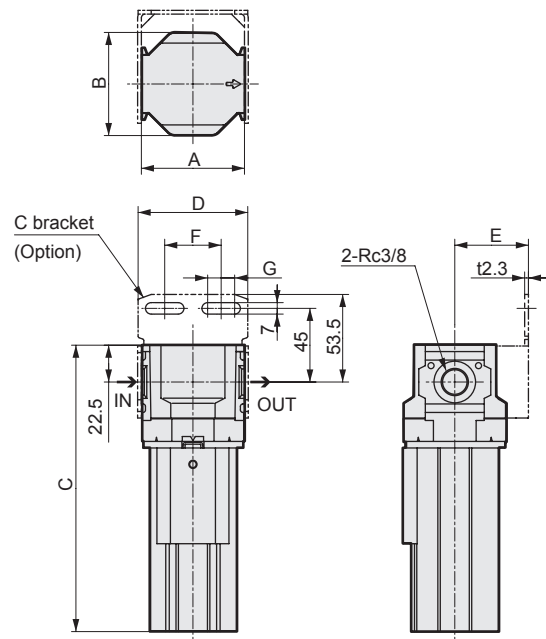
	A	B	C	D	E	F	G	Wt. (kg)
SU301E-*-W-C2	252	153	268	63	126	45	79	2.0
SU302E-*-W-C2	286	223	338	80	143	55	97	2.8
SU401E-*-W-C2	303	223	338	80	143	55	97	3.3
SU402E-*-W-C2	303	328	443	80	143	55	97	4.7

● Unit C3



	A	B	C	D	E	F	G	Wt. (kg)
SU301E-*-W-C3	315	153	268	63	189	45	79	2.5
SU302E-*-W-C3	366	223	338	80	206	55	97	3.5
SU401E-*-W-C3	383	223	338	80	223	55	97	4.0
SU402E-*-W-C3	383	328	443	80	223	55	97	5.4

● SD300E/SD400E



	A	B	C	D	E	F	G	Wt. (kg)
SD301E-*-W	63	63	175	67	45	34.5	16.5	0.6
SD302E-*-W	63	63	245	67	45	34.5	16.5	0.9
SD401E-*-W	80	80	245	84	55	55	14	1.4
SD402E-*-W	80	80	315	84	55	55	14	1.8

INDEX

Precautions

Dryer system list

Refrigeration dryer

Desiccant dryer

High polymer membrane dryer

Air filter

Drain discharger, etc.

Flow rate sensor



Super dryer combination Super dryer (High polymer membrane air dryer) SU300D/SU400D/SD300D/SD400D-W Series

Slim body and high performance D series

- Small and powerful removal performance. Appropriate for integrating in devices.
- 3 types of units are available. Appropriate system is available according to applications.
- Processing air flow rate: 125 to 750 ℓ /min. (ANR) (0.7 MPa, atmospheric dew point -20°C)



Specifications

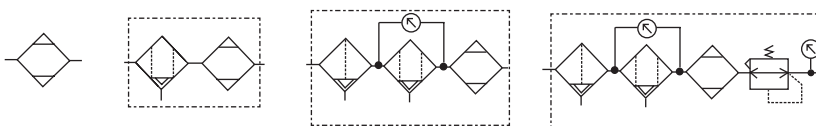
Descriptions	SU301D	SU302D	SU401D	SU402D	SU301D	SU302D	SU401D	SU402D	SU301D	SU302D	SU401D	SU402D	SD301D	SD302D	SD401D	SD402D
	*-W-C1	*-W-C1	*-W-C1	*-W-C1	*-W-C2	*-W-C2	*-W-C2	*-W-C2	*-W-C3	*-W-C3	*-W-C3	*-W-C3	-*W	-*W	-*W	-*W
Appearance																
	Simple & space saving structure unit that removes moisture from the air from which solid impurities have already been removed. (*1)				Unit supplying clean dry air with line not requiring pressure adjustment.				A unit that supplies pressure-adjusted clean dry air just by supplying compressed air.				Discrete super dryer (High polymer membrane air dryer) enabling easy system configuration with peripheral devices due to modular design.			
Configuration	Oil mist filter Super dryer (High polymer membrane air dryer)				Air filter Oil mist filter (with differential pressure gauge) Super dryer (High polymer membrane air dryer)				Air filter Oil mist filter (with differential pressure gauge) Super dryer (High polymer membrane air dryer) Regulator				Super dryer (High polymer membrane air dryer)			
Range of working conditions	Working fluid															
	Compressed air															
	Inlet air pressure MPa															
	0.4 to 1.0															
	Proof pressure MPa															
1.5																
Inlet air temperature °C																
5 to 50																
Ambient temperature °C																
5 to 50																
Outlet air atmospheric dew point °C																
-20																
Standard rating	Inlet air flow rate ℓ /min(ANR)															
	125	250	500	750	125	250	500	750	125	250	500	750	125	250	500	750
	Outlet air flow ℓ /min(ANR)															
	100	200	400	600	100	200	400	600	100	200	400	600	100	200	400	600
	Purge flow rate ℓ /min(ANR)															
25	50	100	150	25	50	100	150	25	50	100	150	25	50	100	150	
Inlet air pressure dew point °C																
25																
Inlet air pressure MPa																
0.7																
Inlet air temperature °C																
25																
Ambient temperature °C																
25																
Air filter	Filtration rating μm				5				—				—			
Oil mist filter	Oil removal mg/m ³															
0.1 (approximately 0.1 ppm) (when the inlet air is 30°C)																
Regulator	Set pressure range MPa															
	—				0.05 to 0.85				—							
Relief pressure MPa																
—				Setting pressure plus 0.05				—								
Standard accessories																
Bracket				Differential pressure gauge/bracket				Press gauge/diff press gauge/bracket				—				

*1: An oil mist filter cannot be controlled with a differential pressure gauge for C1. Replace the oil mist filter mantle every year.

*2: Purge flow rate in standard rating section is also the same value at 0.5 MPa.

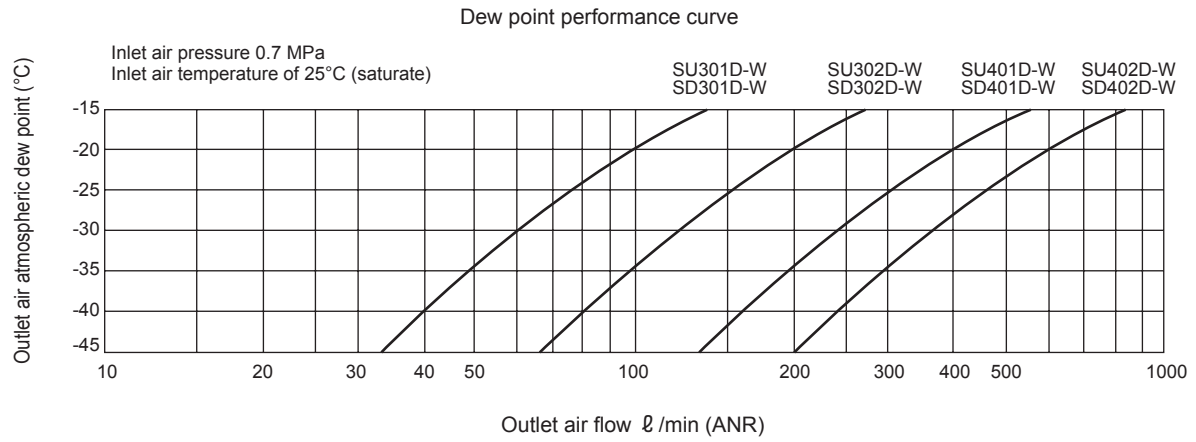
JIS symbol

SD301D to 402D-* SU301D to 402D-*C1 SU301D to 402D-*C2 SU302D to 402D-*C3

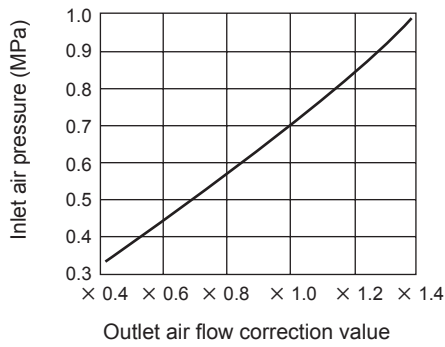


Dew point performance machine Refer to page 125 for selection guide and compensation method.

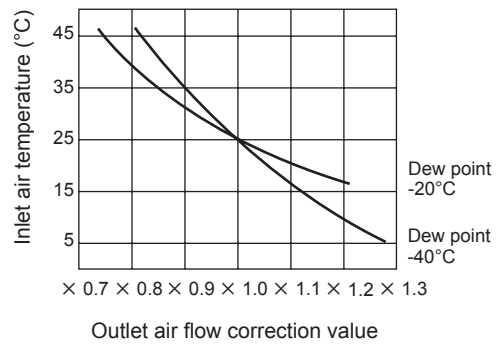
● Dew point performance curve



Inlet pressure - outlet air flow rate correction curve



Inlet temperature - outlet air flow rate correction curve



INDEX

Precautions

Dryer
system list

Refrigeration
dryer

Desiccant
dryer

High polymer
membrane
dryer

Air filter

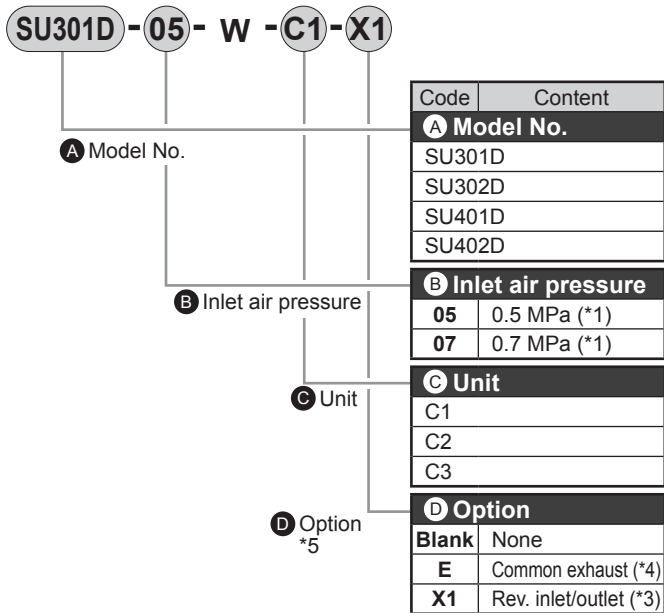
Drain discharger,
etc.

Flow rate sensor

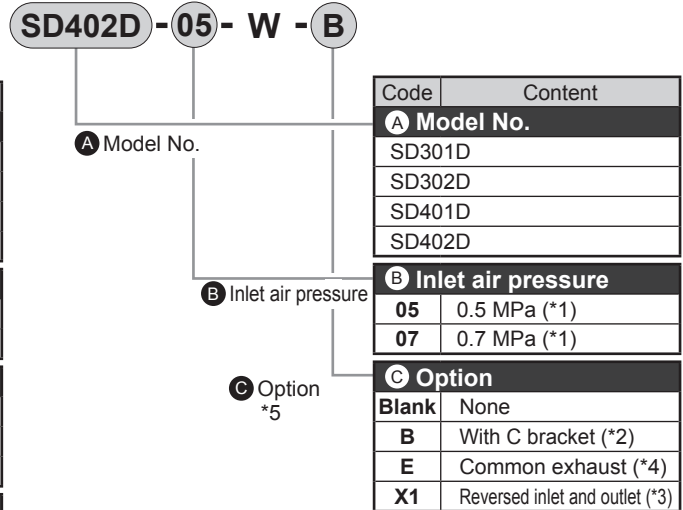
SU³00D/SD³00D-W Series

How to order

● Super dryer Combination



● Super dryer (High polymer membrane air dryer)



⚠ Precautions for model No. selection

- *1: If inlet air pressure is less than 0.7 MPa, indicate 05, while 0.7 MPa and over, indicate 07.
- *2: If fixed by C bracket, modular connection with peripheral devices is not possible.
- *3: Viewed from the front, standard products have an air inlet on the left port and an air outlet on the right port. For "X1", an air inlet is provided on the right port, with an air outlet provided on the left port.
- *4: Purge air from standard products is released into the atmosphere. If "E" is indicated, common exhaust of purge air is enabled. The size of exhaust ports include the Rc1/8 for the 300 Series and the Rc1/4 for the 400 Series.
- *5: When ordering several options, indicate the required options in alphabetical order.

Specifications for rechargeable battery

(Catalog No. CC-1226A)

- Design compatible with rechargeable battery manufacturing process

SU*0*D - - P4*

SD*0*D - - P4*

Components

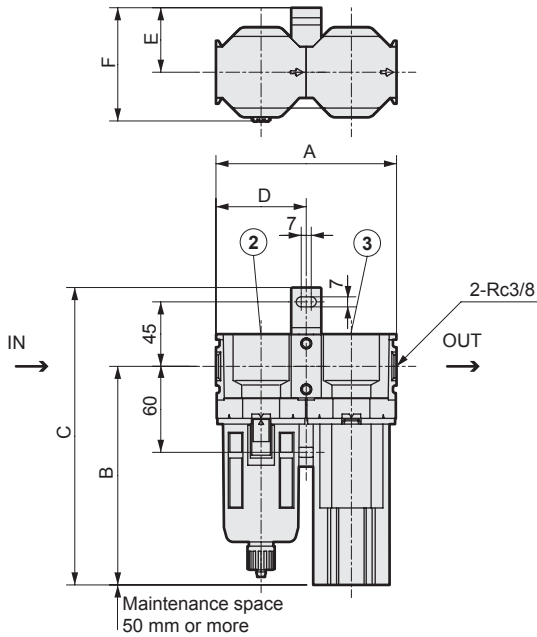
Components Model No.	(1) Air filter	(2) Oil mist filter	(3) Super dryer (High polymer membrane air dryer)	(4) Regulator	(5) Differential pressure gauge
SU301D-*-W-C1	—	M4000-10-W-F1	SD301D-*-W	—	—
SU302D-*-W-C1	—	M4000-10-W-F1	SD302D-*-W	—	—
SU401D-*-W-C1	—	SM4100-W	SD401D-*-W	—	—
SU402D-*-W-C1	—	SM4100-W	SD402D-*-W	—	—
SU301D-*-W-C2	F4000-10-W-F	M4000-10-W-F1	SD301D-*-W	—	GA400-8-P02
SU302D-*-W-C2	F4000-10-W-F	M4000-10-W-F1	SD302D-*-W	—	GA400-8-P02
SU401D-*-W-C2	F4000-10-W-F	SM4100-W	SD401D-*-W	—	GA400-8-P02
SU402D-*-W-C2	F4000-10-W-F	SM4100-W	SD402D-*-W	—	GA400-8-P02
SU301D-*-W-C3	F4000-10-W-F	M4000-10-W-F1	SD301D-*-W	R4000-10-W	GA400-8-P02
SU302D-*-W-C3	F4000-10-W-F	M4000-10-W-F1	SD302D-*-W	R4000-10-W	GA400-8-P02
SU401D-*-W-C3	F4000-10-W-F	SM4100-W	SD401D-*-W	R4000-10-W	GA400-8-P02
SU402D-*-W-C3	F4000-10-W-F	SM4100-W	SD402D-*-W	R4000-10-W	GA400-8-P02

*1: An oil mist filter (SM4100-W) is custom order.

Dimensions

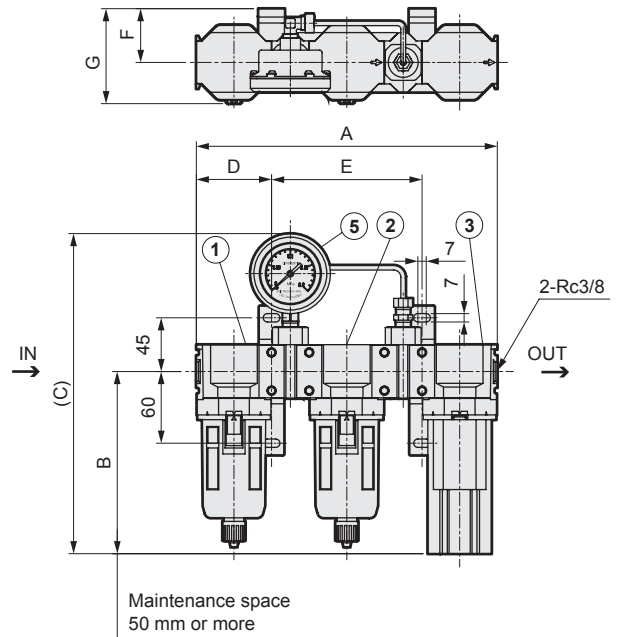


● Unit C1



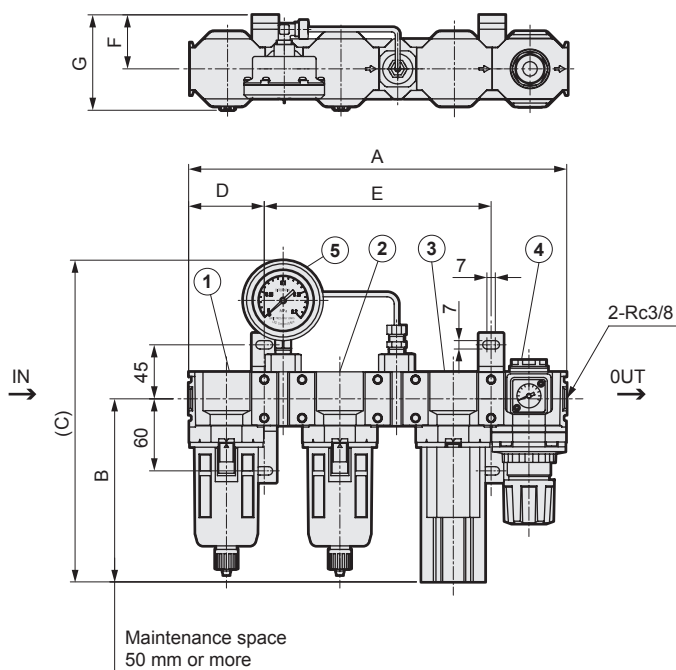
	A	B	C	D	E	F	Wt. (kg)
SU301D-*W-C1	143	171	226	80	55	97	1.3
SU302D-*W-C1	143	223	278	80	55	97	1.6
SU401D-*W-C1	160	328	383	80	55	95	3.1
SU402D-*W-C1	160	328	383	80	55	95	3.5

● Unit C2



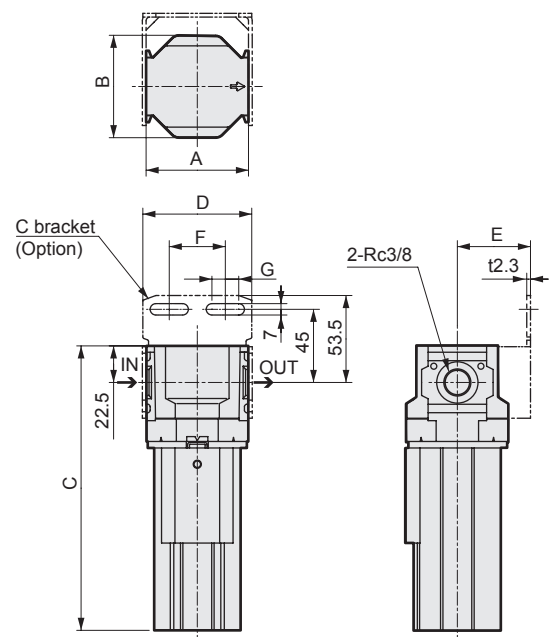
	A	B	C	D	E	F	G	Wt. (kg)
SU301D-*W-C2	286	171	286	80	143	55	97	2.5
SU302D-*W-C2	286	223	338	80	143	55	97	2.8
SU401D-*W-C2	303	328	443	80	143	55	97	4.3
SU402D-*W-C2	303	328	443	80	143	55	97	4.7

● Unit C3



	A	B	C	D	E	F	G	Wt. (kg)
SU301D-*W-C3	366	171	286	80	206	55	97	3.2
SU302D-*W-C3	366	223	338	80	206	55	97	3.5
SU401D-*W-C3	383	328	443	80	223	55	97	5.0
SU402D-*W-C3	383	328	443	80	223	55	97	5.4

● SD300D/SD400D



	A	B	C	D	E	F	G	Wt. (kg)
SD301D-*W	63	63	175	67	45	34.5	16.5	0.6
SD302D-*W	63	63	245	67	45	34.5	16.5	0.9
SD401D-*W	80	80	245	84	55	55	14	1.4
SD402D-*W	80	80	315	84	55	55	14	1.8

INDEX

Precautions

Dryer system list

Refrigeration dryer

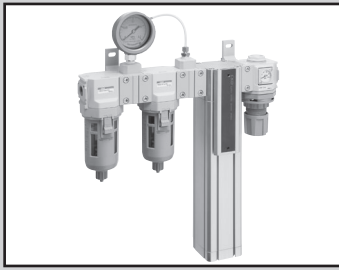
Desiccant dryer

High polymer membrane dryer

Air filter

Drain discharger, etc.

Flow rate sensor



Super dryer combination

SU3000/SU4000-W Series

Easily and stably supplying ultra dry air.

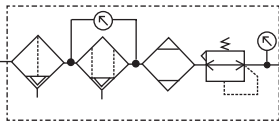
- Ultra dry air with atmospheric dew point -60°C is obtained just by piping to a pneumatic source.
- All in one unit with superior installability.
- Processing air flow rate: 35 to 1500 ℓ/min (ANR) (at 0.7 MPa and -40°C atmospheric dew point)



Specifications

Descriptions	SU 3015-A-W	SU 3025-A-W	SU 3035-A-W	SU 3050-A-W	SU 3075-A-W	SU 4100-A-W	SU 3015-B-W	SU 3025-B-W	SU 3050-B-W	SU 4050-B-W	SU 4100-B-W	
Working fluid	Compressed air											
Inlet air pressure MPa	0.4 to 1.0											
Proof pressure MPa	1.5											
Inlet air temperature $^{\circ}\text{C}$	5 to 50											
Ambient temperature $^{\circ}\text{C}$	5 to 50											
Outlet air atmospheric dew point $^{\circ}\text{C}$	-20						-40					
Inlet air flow rate ℓ/min (ANR)	125	300	490	760	1200	1500	35	90	230	410	890	
Outlet air flow ℓ/min (ANR)	100	240	390	610	960	1260	25	65	170	300	650	
Purge flow rate ℓ/min (ANR)	25	60	100	150	240	240	10	25	60	110	240	
Inlet air pressure dew point $^{\circ}\text{C}$	25											
Inlet air pressure MPa	0.7											
Inlet air temperature $^{\circ}\text{C}$	25											
Ambient temperature $^{\circ}\text{C}$	25											
Air filter	Filtration rating μm	5										
Oil mist filter	Oil removal mg/m^3	0.1 (approximately 0.1 ppm) (when the inlet air is 30°C)										
Regulator	Set pressure range MPa	0.05 to 0.85										
	Relief pressure MPa	Setting pressure plus 0.05										
Standard accessories	Pressure gauge/differential pressure gauge/bracket											

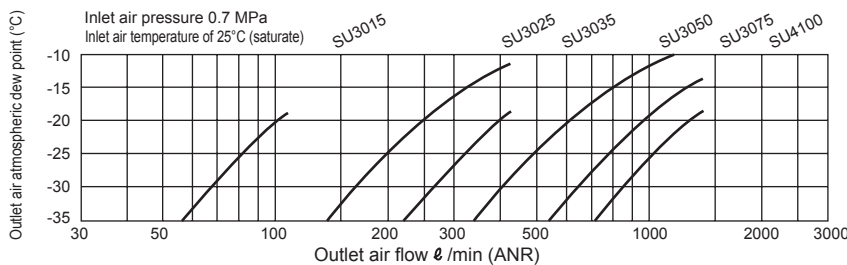
JIS symbol



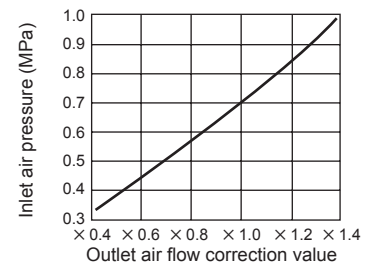
Dew point performance

Refer to page 125 for selection guide and compensation method.

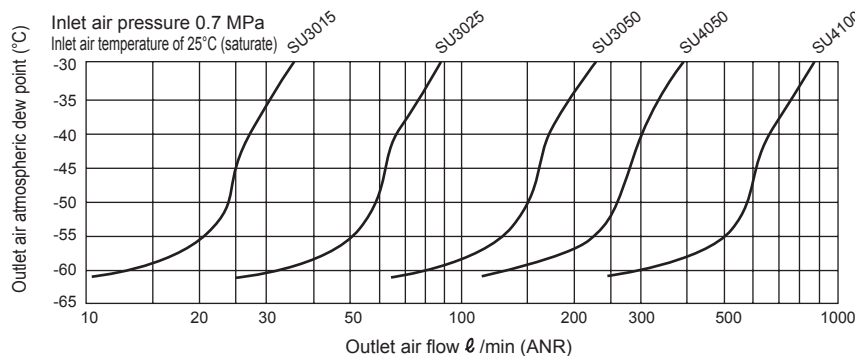
● Dew point performance curve (-20°C specifications)



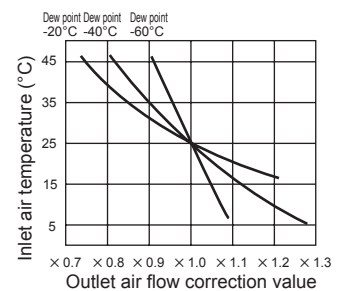
● Inlet pressure - outlet air flow rate correction curve



● Dew point performance curve ($-40, -60^{\circ}\text{C}$ specifications)



● Inlet temperature - outlet air flow rate correction curve



How to order

● Super dryer Combination

SU3015 - A 05 - W - E

A Model No.

B Outlet air atmospheric dew point

C Inlet air pressure

D Option
*6

Code	Content
A Model No.	
SU3015	
SU3025	
SU3035	
SU3050	
SU3075	
SU4050	
SU4100	
B Outlet air atmospheric dew point	
A	-20°C
B	-40°C, -60°C (*5)
C Inlet air pressure	
05	0.5 MPa (*1)
07	0.7 MPa (*1)
D Option	
Blank	None
E	Common exhaust (*3)
X1	Reversed inlet and outlet (*2)

⚠ Precautions for model No. selection

- *1: If inlet air pressure is less than 0.7 MPa, indicate 05, while 0.7 MPa and over, indicate 07.
- *2: Viewed from the front, standard products have an air inlet on the left port and an air outlet on the right port. For "X1", an air inlet is provided on the right port, with an air outlet provided on the left port.
- *3: Purge air from standard products is released into the atmosphere. If "E" is indicated, common exhaust of purge air is enabled. Size of exhaust port is Rc1/2.
- *4: Purge flow rate in standard rating section is also the same value at 0.5 MPa.
- *5: If outlet atmospheric dew point is -60°C, model No. is "B" as at -40°C.
- *6: When ordering several options, indicate the required options in alphabetical order.

Specifications for rechargeable battery (Catalog No. CC-1226A)

- Design compatible with rechargeable battery manufacturing process

SU*000 - - P4*

Components

Components	(1) Air filter	(2) Oil mist filter	(3) Super dryer (High polymer membrane air dryer)	(4) Regulator	(5) Differential pressure gauge
Model No.					
SU3015-A-W	F3000-10-W-F	M3000-10-W-F1	SD3015-A	R3000-10-W	GA400-8-P02
SU3025-A-W	F4000-10-W-F	M4000-10-W-F1	SD3025-A	R4000-10-W	GA400-8-P02
SU3035-A-W	F4000-10-W-F	M4000-10-W-F1	SD3035-A	R4000-10-W	GA400-8-P02
SU3050-A-W	F4000-10-W-F	SM4000	SD3050-A	R4000-10-W	GA400-8-P02
SU3075-A-W	F4000-10-W-F	SM4000	SD3075-A	R4000-10-W	GA400-8-P02
SU4100-A-W	F4000-15-W-F	SM4000	SD4100-A	R4000-15-W	GA400-8-P02
SU3015-B-W	F3000-10-W-F	M3000-10-W-F1	SD3015-B	R3000-10-W	GA400-8-P02
SU3025-B-W	F3000-10-W-F	M3000-10-W-F1	SD3025-B	R3000-10-W	GA400-8-P02
SU3050-B-W	F4000-10-W-F	M4000-10-W-F1	SD3050-B	R4000-10-W	GA400-8-P02
SU4050-B-W	F4000-15-W-F	SM4000	SD4050-B	R4000-15-W	GA400-8-P02
SU4100-B-W	F4000-15-W-F	SM4000	SD4100-B	R4000-15-W	GA400-8-P02

*1: Oil mist filter (SM4000) is a custom order product.

INDEX

Precautions

Dryer system list

Refrigeration dryer

Desiccant dryer

High polymer membrane dryer

Air filter

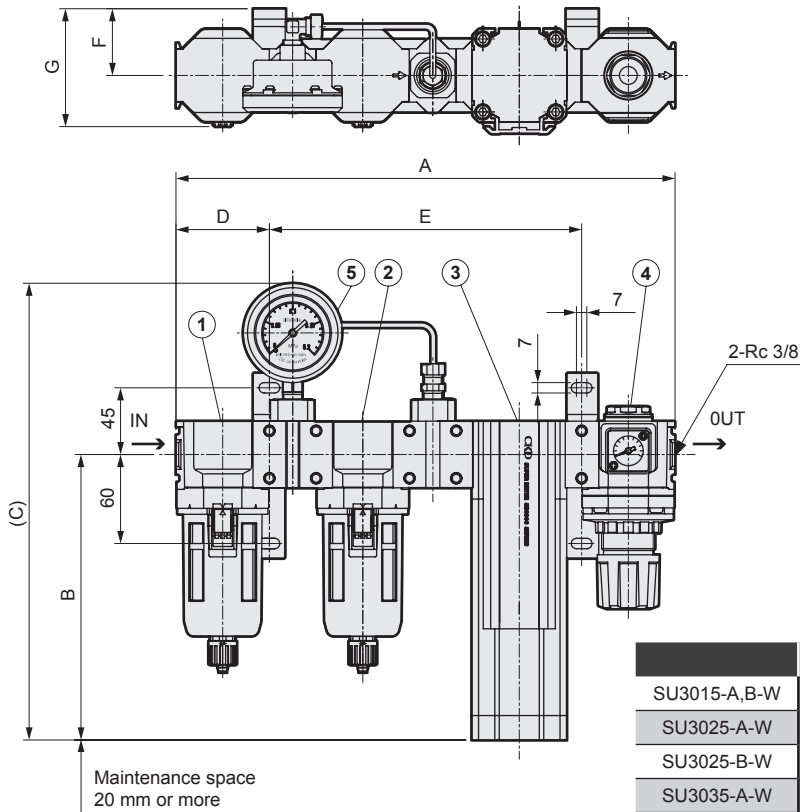
Drain discharger, etc.

Flow rate sensor

SU3000/SU4000-W Series

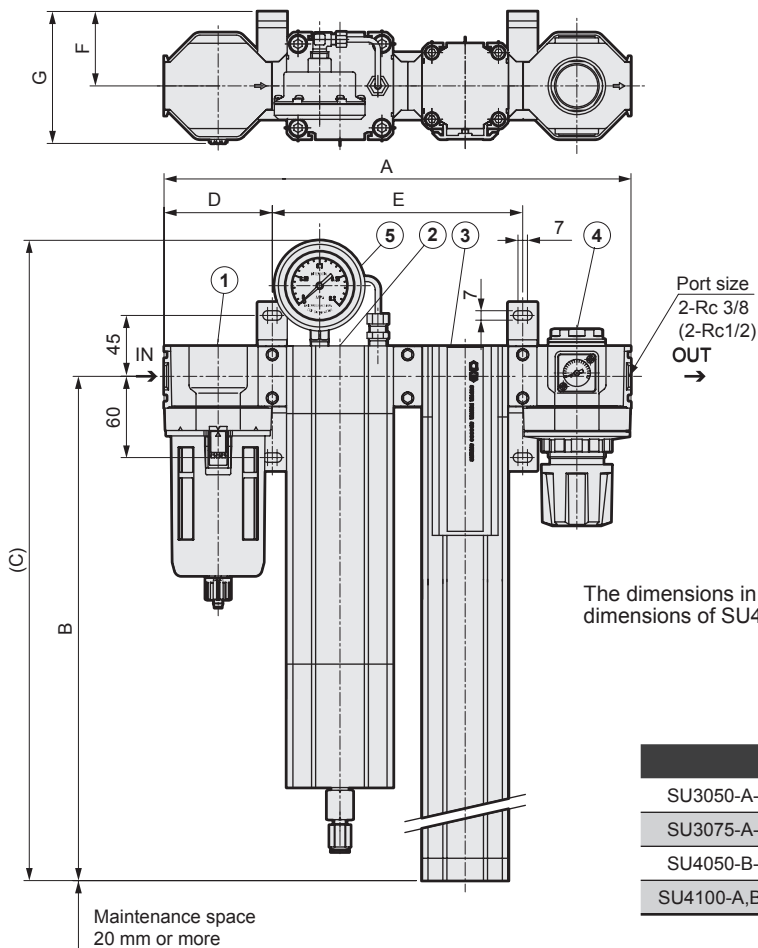
Dimensions

- SU3015-A/B-W SU3025-A/B-W SU3035-A-W SU-3050-B-W



	A	B	C	D	E	F	G	Wt. (kg)
SU3015-A,B-W	337	193	308	63	211	45	85	3.3
SU3025-A-W	388	293	408	80	228	55	97	4.4
SU3025-B-W	337	293	408	63	211	45	85	3.7
SU3035-A-W	388	393	508	80	228	55	97	4.8
SU3050-B-W	388	543	658	80	228	55	97	5.3

- SU3050-A-W SU3075-A-W SU4050-B-W SU4100-A/B-W



The dimensions in () indicate the dimensions of SU4000.

	A	B	C	D	E	F	G	Wt. (kg)
SU3050-A-W	345	543	644	80	185	55	97	7.7
SU3075-A-W	345	793	894	80	185	55	97	8.6
SU4050-B-W	360	543	644	80	200	55	106	9.0
SU4100-A,B-W	360	1043	1144	80	200	55	106	11.8



Super dryer (High polymer membrane air dryer)

SD3000/SD4000 Series

Modular design for easy system expansion with peripheral devices

- Quickly supplies ultra dry air of -60°C atmospheric dew point.
- Suitable for a wide range of applications with 1.5 MPa max. working pressure.
- Processing air flow rate: 35 to 890 ℓ/min (ANR) (at 0.7 MPa and -40°C atmospheric dew point)



Specifications

Descriptions		SD3015	SD3025	SD3035	SD3050	SD3075	SD4050	SD4075	SD4100	
Range of working conditions	Working fluid	Compressed air								
	Inlet air pressure	MPa 0.4 to 1.5								
	Proof pressure	MPa 2.25								
	Inlet air temperature	°C 5 to 50								
	Ambient temperature	°C 5 to 50								
Standard rating	Inlet air pressure dew point	°C 25								
	Inlet air pressure	MPa 0.7								
	Inlet air temperature	°C 25								
Outlet air atmospheric dew point	-20°C	Inlet air flow rate	ℓ/min(ANR) 125	300	490	760	1200	680	1100	1500
		Outlet air flow	ℓ/min(ANR) 100	240	390	610	960	570	930	1260
		Purge flow rate	ℓ/min(ANR) 25	60	100	150	240	110	170	240
	-40°C	Inlet air flow rate	ℓ/min(ANR) 35	90	150	230	370	410	650	890
		Outlet air flow	ℓ/min(ANR) 25	65	110	170	270	300	480	650
		Purge flow rate	ℓ/min(ANR) 10	25	40	60	100	110	170	240
	-60°C	Inlet air flow rate	ℓ/min(ANR) 20	55	90	140	220	240	380	520
		Outlet air flow	ℓ/min(ANR) 10	30	50	80	120	130	210	280
		Purge flow rate	ℓ/min(ANR) 10	25	40	60	100	110	170	240

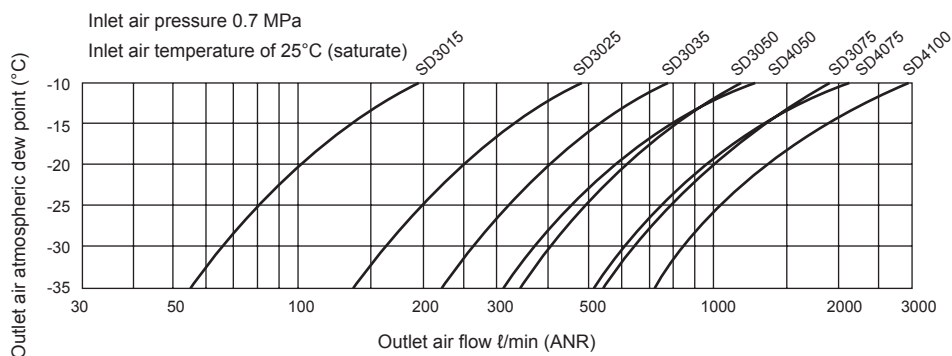
JIS symbol



Dew point performance

Refer to page 125 for selection guide and compensation method.

- Dew point performance curve (-20°C specifications)



INDEX

Precautions

Dryer system list

Refrigeration dryer

Desiccant dryer

High polymer membrane dryer

Air filter

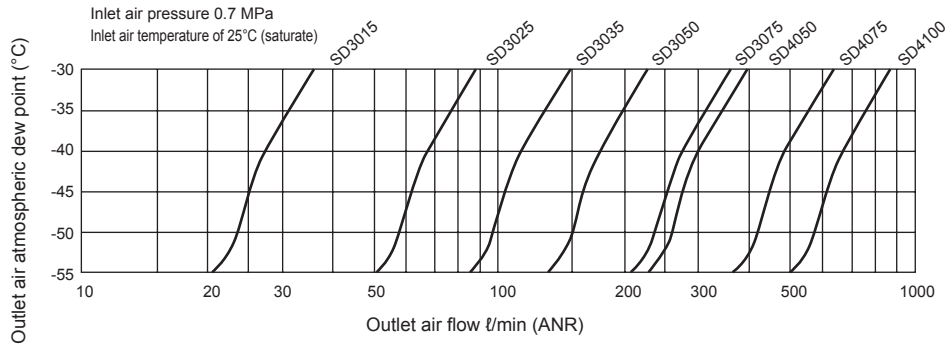
Drain discharger, etc.

Flow rate sensor

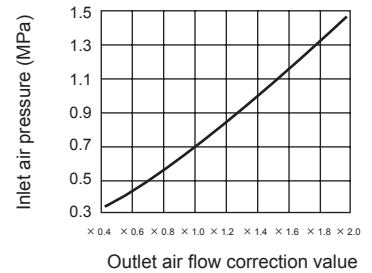
SD3000/SD4000 Series

Dew point performance Refer to page 125 for selection guide and compensation method.

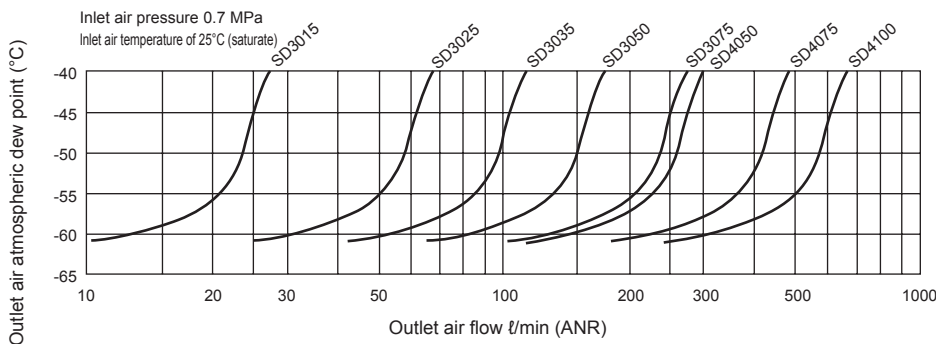
● Dew point performance curve (-40°C specifications)



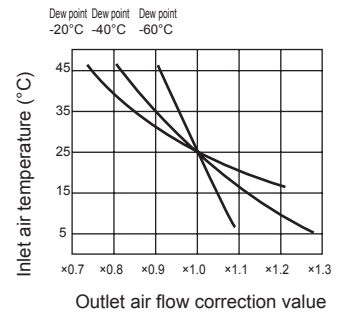
● Inlet pressure - outlet air flow rate correction curve



● Dew point performance curve (-60°C specifications)



● Inlet temperature - outlet air flow rate correction curve



● Super dryer (High polymer membrane air dryer)

How to order

SD3015 - A 05 - B

A Model No.

B Outlet air atmospheric dew point

C Inlet air pressure
*1
*2

D Option
*3
*4
*5

Code	Content
A Model No.	
SD3015	
SD3025	
SD3035	
SD3050	
SD3075	
SD4050	
SD4075	
SD4100	
B Outlet air atmospheric dew point	
A	-20°C
B	-40°C
C	-60°C
C Inlet air pressure	
05	0.5 MPa
07	0.7 MPa
14	1.4 MPa (N/A for outlet air atm dew point "A" (-20°C))
D Option	
Blank	None
B	With bracket
E	Common exhaust (*4)
X1	Reversed inlet and outlet (*3)

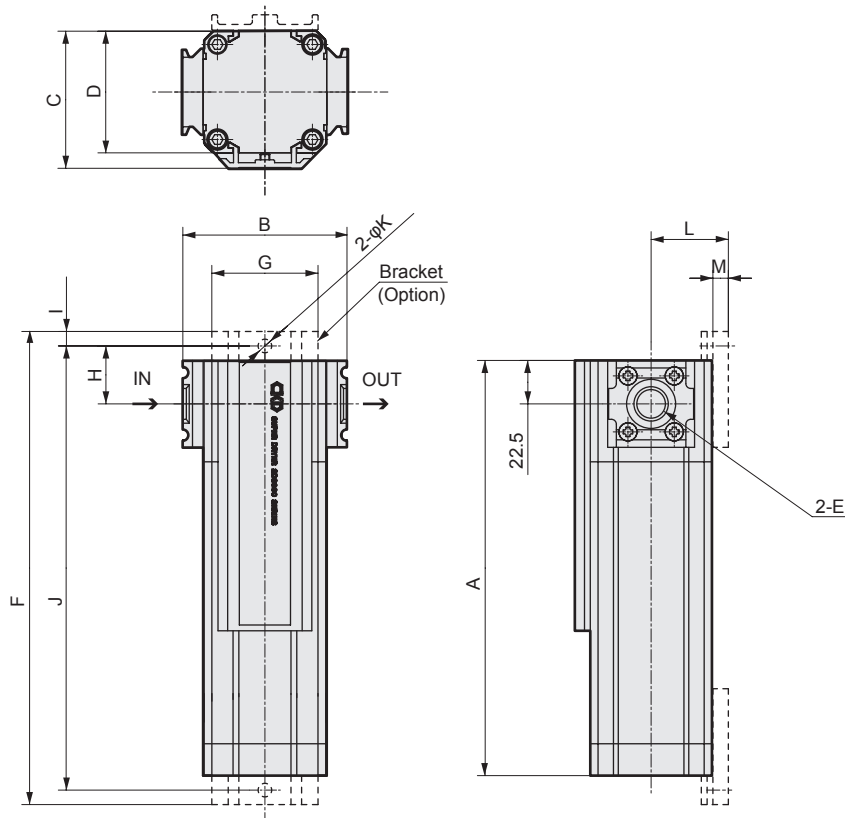
⚠ Precautions for model No. selection

- *1: Select 05 if the inlet air pressure is less than 0.7 MPa, and 07 if it is 0.7 MPa and over and less than 1.4 MPa.
- *2: 1.4 MPa inlet air pressure and -20°C outlet air atmospheric dew point cannot be selected at the same time. As the atmospheric dew point will be -14°C when the inlet air temperature is 25°C and the pressure is 1.4 MPa, there is no point in using the dryer. Select -40°C or -60°C.
- *3: Viewed from the front, a standard product has an air inlet on the left port, while an air outlet on the right port. For "X1", air inlet is provided on the right port, while air outlet is provided on the left port.
- *4: Purge air from standard products is released into the atmosphere. If "E" is indicated, common exhaust of purge air is enabled. Size of exhaust port is Rc1/2.
- *5: When ordering several options, indicate the required options in alphabetical order.

Specifications for rechargeable battery (Catalog No. CC-1226A)

- Design compatible with rechargeable battery manufacturing process

SD** - - P4***



Model No.	A	B	C	D	E	Weight (kg)	Bracket relational dimensions							
							F	G	H	I	J	K	L	M
SD3015	215	85	71	63	Rc 3/8	1.4	245	55	30	7.5	230	7	40	8
SD3025	315	85	71	63	Rc 3/8	1.8	345	55	30	7.5	330	7	40	8
SD3035	415	85	71	63	Rc 3/8	2.2	445	55	30	7.5	430	7	40	8
SD3050	565	85	71	63	Rc 3/8	2.7	595	55	30	7.5	580	7	40	8
SD3075	815	85	71	63	Rc 3/8	3.6	845	55	30	7.5	830	7	40	8
SD4050	565	100	90	79	Rc 1/2	4.0	605	70	32.5	10	585	9	50	10
SD4075	815	100	90	79	Rc 1/2	5.4	855	70	32.5	10	835	9	50	10
SD4100	1065	100	90	79	Rc 1/2	6.8	1105	70	32.5	10	1085	9	50	10

INDEX

Precautions

Dryer system list

Refrigeration dryer

Desiccant dryer

High polymer membrane dryer

Air filter

Drain discharger, etc.

Flow rate sensor



Super dryer modular series

SDM4000 Series

Large flow rate is achieved with polymer separation membrane.

- A single unit can support up to 75 kW compressor.
- Joined headers enable flexible expansion according to the use conditions.
- Suitable for area where explosion must strictly be prevented.

Processing air flow rate: 1.36 to 12.4 m³/min. (ANR) (0.7 MPa, atmospheric dew point -20°C)

Specifications

Descriptions	SDM 4050-2	SDM 4050-3	SDM 4075-2	SDM 4075-3	SDM 4100-2	SDM 4100-3	SDM 4050-6	SDM 4050-8	SDM 4050-10	SDM 4075-6	SDM 4075-8	SDM 4075-10	SDM 4100-6	SDM 4100-8
Working fluid	Compressed air													
Inlet air pressure MPa	0.4 to 1.5													
Proof pressure MPa	2.25													
Inlet air temperature °C	5 to 50													
Ambient temperature °C	5 to 50													
Outlet air atmospheric dew point °C	-20													
Inlet air flow rate m ³ /min(ANR)	1.36	2.04	2.20	3.30	3.00	4.50	4.08	5.44	6.80	6.60	8.80	11.00	9.20	12.40
Outlet air flow m ³ /min(ANR)	1.14	1.71	1.86	2.79	2.52	3.78	3.42	4.56	5.70	5.58	7.44	9.30	7.76	10.48
Purge flow rate m ³ /min(ANR)	0.22	0.33	0.34	0.51	0.48	0.72	0.66	0.88	1.10	1.02	1.36	1.70	1.44	1.92
Inlet air pressure dew point °C	25													
Inlet air pressure MPa	0.7													
Inlet air temperature °C	25													
Ambient temperature °C	25													

Note: The product will be floor-mounted for 6 stations or more.

JIS symbol



How to order

- Super dryer (High polymer membrane air dryer)

SDM4050 - 2 - A 05 - B

A Model No.

B Station No.

C Outlet air atmospheric dew point

D Inlet air pressure

*1

*2

E Option

*3

Code	Content
A Model No.	
SDM4050	
SDM4075	
SDM4100	
B Station No.	
2	2 stations
3	3 stations
6	6 stations
8	8 stations
10	10 stations (not available for SDM4100)
C Outlet air atmospheric dew point	
A	-20°C
B	-40°C
C	-60°C
D Inlet air pressure	
05	0.5 MPa
07	0.7 MPa
14	1.4 MPa (N/A for outlet air atm dew point "A" (-20°C))
E Option	
Blank	None
B	With bracket

⚠ Precautions for model No. selection

*1: If inlet air pressure is less than 0.7 MPa, indicate 05; for 0.7 MPa and over, indicate 07.

*2: 1.4 MPa inlet air pressure and -20°C outlet air atmospheric dew point cannot be selected at the same time.

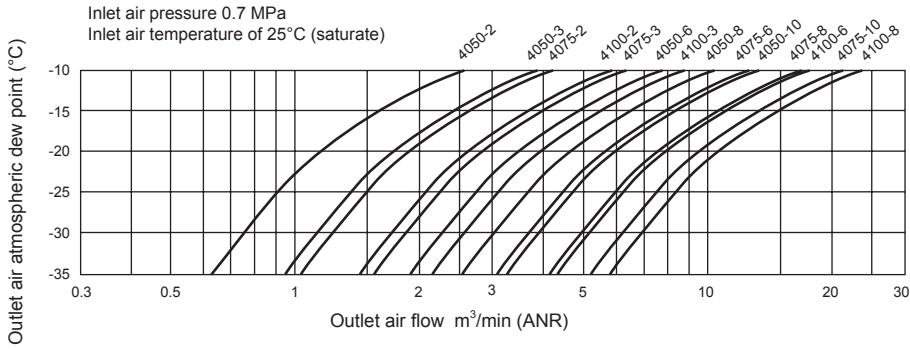
As the atmospheric dew point will be -14°C when the inlet air temperature is 25°C and the pressure is 1.4 MPa, there is no point in using the dryer. Select -40°C or -60°C.

*3: The product will be floor-mounted without bracket for 6 stations or more.

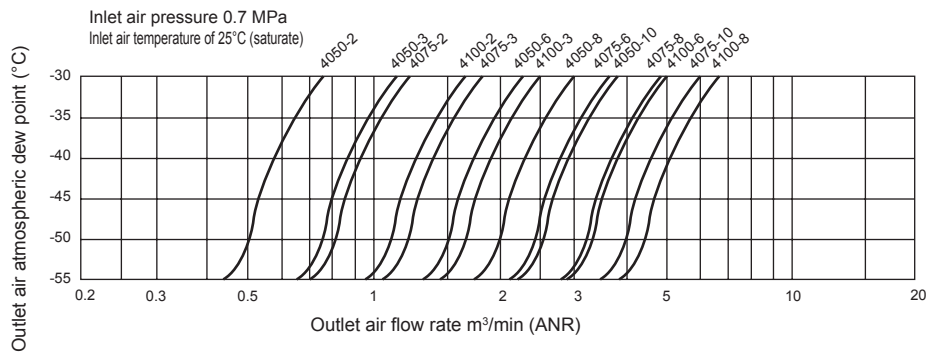
Dew point performance

Refer to page 125 for selection guide and compensation method.

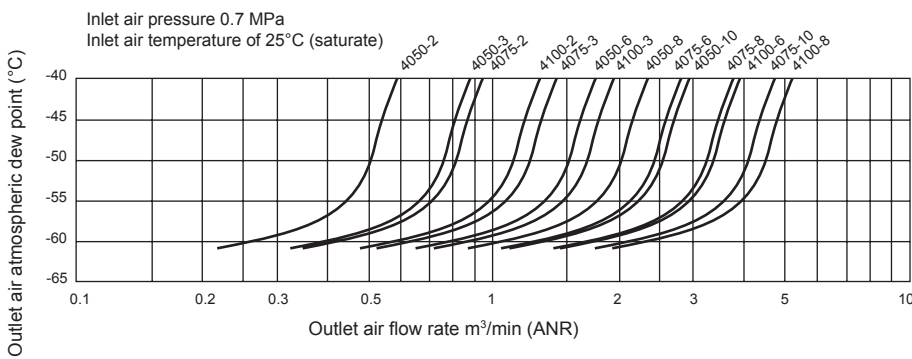
● Dew point performance curve (-20°C specifications)



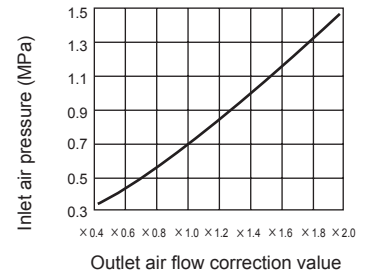
● Dew point performance curve (-40°C specifications)



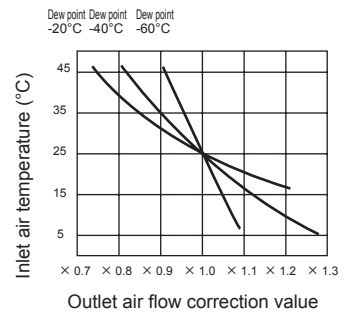
● Dew point performance curve (-60°C specifications)



● Inlet pressure - outlet air flow rate correction curve



● Inlet temperature - outlet air flow rate correction curve



Selection guide by compressor capacity

Inlet air pressure 0.7 MPa
Inlet air temperature of 25°C (saturate) m³/min(ANR)

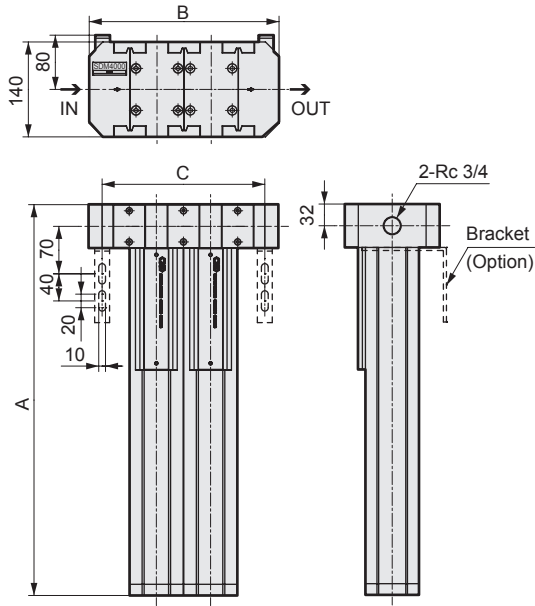
Compatible compressor kw	3.7	5.5	7.5	11	15	22	37	55	75
Atm dew point									
-20°C	Model No.		SDM4050-2-A07	SDM4075-2-A07	SDM4075-3-A07	SDM4050-6-A07	SDM4075-6-A07	SDM4100-6-A07	SDM4100-8-A07
	Inlet air flow rate		1.36	2.20	3.30	4.08	6.60	9.20	12.40
	Outlet air flow			1.14	1.86	2.79	3.42	5.58	7.76
-40°C	Model No.		SDM4050-2-B07	SDM4075-2-B07	SDM4075-3-B07	SDM4100-3-B07	SDM4075-6-B07	SDM4075-10-B07	
	Inlet air flow rate		0.82	1.30	1.95	2.67	3.90	6.50	
	Outlet air flow		0.60	0.96	1.44	1.95	2.88	4.80	
-60°C	Model No.	SDM4050-2-C07	SDM4075-2-C07	SDM4075-3-C07	SDM4100-3-C07	SDM4075-8-C07	SDM4075-10-C07		
	Inlet air flow rate	0.50	0.76	1.14	1.65	3.04	3.80		
	Outlet air flow	0.28	0.42	0.63	0.93	1.68	2.10		

With different flow rate and conditions, select the model based on the dew point performance curve above according to the required outlet air flow rate.

SDM4000 Series

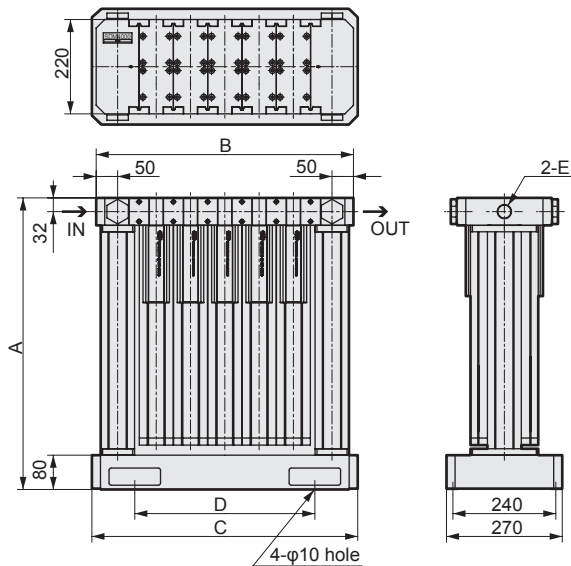
Dimensions

● 2/3 stations



Model No.	A	B	C	Weight (kg)
SDM4050-2	577	280	240	12
SDM4050-3	577	360	320	17
SDM4075-2	827	280	240	15
SDM4075-3	827	360	320	21
SDM4100-2	1077	280	240	18
SDM4100-3	1077	360	320	25

● 6/8/10 stations



Model No.	A	B	C	D	E	Weight (kg)
SDM4050-6	680	440	460	260	Rc1	41
SDM4050-8	680	520	540	340	Rc1	50
SDM4050-10	680	600	620	420	Rc1	59
SDM4075-6	930	440	460	260	Rc1 1/2	52
SDM4075-8	930	520	540	340	Rc1 1/2	64
SDM4075-10	930	600	620	420	Rc1 1/2	76
SDM4100-6	1180	440	460	260	Rc1 1/2	63
SDM4100-8	1180	520	540	340	Rc1 1/2	78