



Air tank (related products)

AT Series

JIS symbol



Features

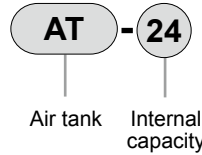
Air tank directly connected to air booster ABP-12 with compact body.

Specifications

Descriptions	AT
Working fluid	Compressed air
Max. working pressure MPa	0.99 (≈140 psi, 9.9 bar)
Water pressure test pressure MPa	1.5 (≈220 psi, 15 bar)
Ambient temperature °C	0 (32°F) to 50 (122°F) (no freezing)
Internal capacity m ³	0.024
Port size	Rc1/2
Material	Steel
Weight kg	17.5

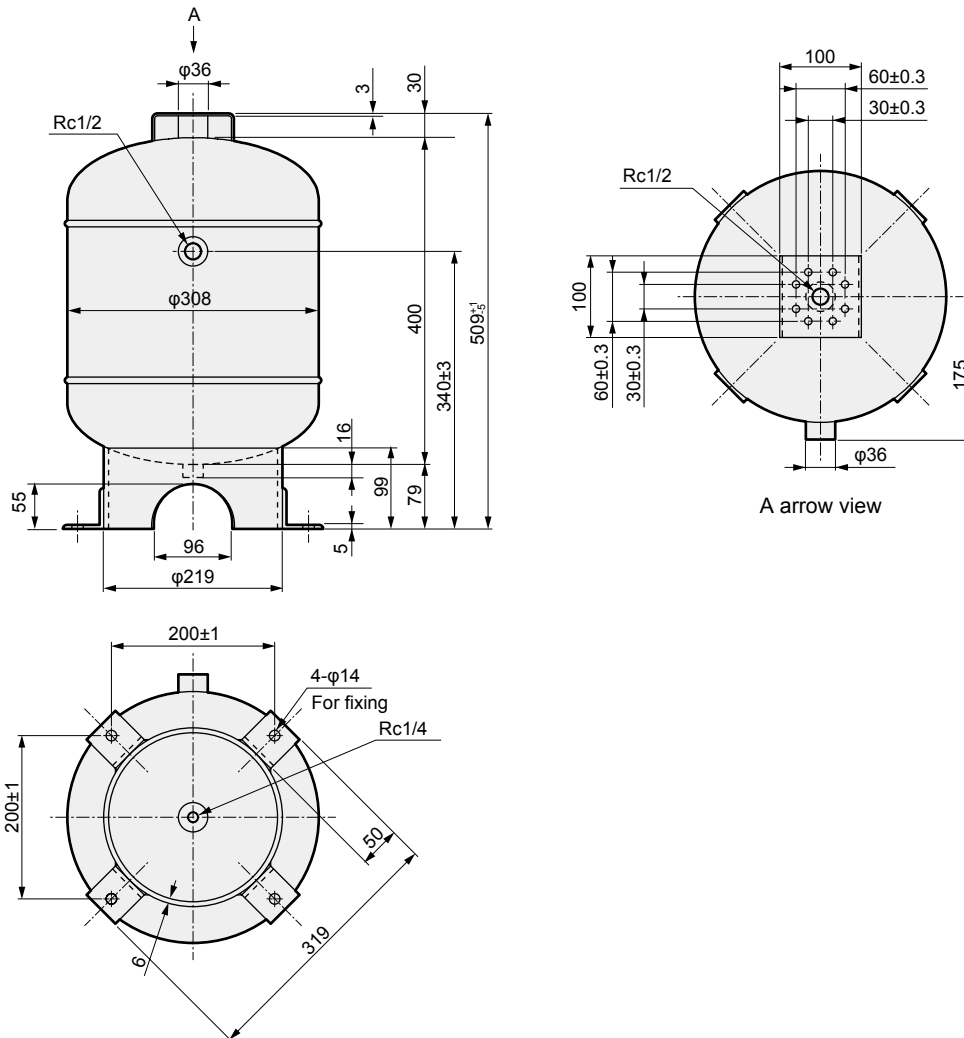
Note: O-ring, hexagon head bolt and spring washer are included for air booster mounting.

How to order



- Part model No.
- AT-K1 (O-ring, hex head bolt, spring washer)

Dimensions



F.R.L
F (Filtr)
R (Reg)
L (Lub)
PresSW
Shutoff
SlowStart
FimResistFR
Oil-ProhR
MedPresFR
No Cu/PTFE FRL
Outdrs FR
F.R.L (Related)
CompFRL
LgFRL
PrecsR
VacF/R
Clean FR
ElecPneuR
AirBoost
SpdContr
Silncr
CheckV/other
Jnt/tube
AirUnt
PrecsCompn
Mech/ElecPresSw
ContactSW
AirSens
PresSW Cool
AirFloSens/Contr
WaterRISens
TotAirSys (Total Air)
TotAirSys (Gamma)
RefrDry
DesicDry
HiPolymDry
MainFiltr
Dischrg etc
Ending