

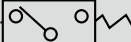


Mechanical pressure switch

APE Series

Repeatability: Within ± 0.02 MPa, set pressure: 0.1 to 0.8 MPa.

● Port size: Rc1/4

JIS symbol 



Specifications

Descriptions		APE
Working fluid		Compressed air
Max. working pressure	MPa	1.0 (≈ 150 psi, 10 bar)
Proof pressure	MPa	1.5 (≈ 220 psi, 15 bar)
Set pressure	MPa	0.1 (≈ 15 psi, 1 bar) to 0.8 (≈ 120 psi, 8 bar)
Fluid temperature	$^{\circ}\text{C}$	5 (41 $^{\circ}\text{F}$) to 60 (140 $^{\circ}\text{F}$)
Micro switch		Z-15GD-B (OMRON)
Contact array		1C
Hysteresis	MPa	0.1 (≈ 15 psi, 1 bar) to 0.49 (≈ 71 psi, 4.9 bar), hysteresis within 0.049 (≈ 7.1 psi, 0.49 bar)
		0.5 (≈ 73 psi, 5 bar) to 0.8 (≈ 120 psi, 8 bar), hysteresis within 0.078 (≈ 11 psi, 0.78 bar)
Repeatability	MPa	Within ± 0.020 (≈ 2.9 psi, 0.2 bar) of set pressure
Ambient temperature	$^{\circ}\text{C}$	-5 (23 $^{\circ}\text{F}$) to 60 (140 $^{\circ}\text{F}$) (no freezing)
Ambient humidity	%	90 or less
Max. operating frequency	times/min.	20
Insulation resistance	M Ω	100 or more (with 500 VDC megger)
Mounting orientation		Arbitrary
Weight	kg	0.57

Micro switch rated

Load	Non-inductive load (A)				Inductive load (A)			
	Resistance load		Lamp load		Inductive load		Electric motor load	
Circuit	N.C	N.O	N.C	N.O	N.C	N.O	N.C	N.O
Voltage								
125 VAC	15	15	3.0	1.5	15	15	5.0	2.5
250 VAC	15	15	2.5	1.25	15	15	3.0	1.5
30 VDC	6.0	6.0	3.0	1.5	5.0	5.0	5.0	2.5

How to order



Mechanical pressure switch

Ⓐ Wiring/piping method

*1

*2

Ⓑ Indicator lamp

Code	Content	
Ⓐ Wiring/piping method		
8T	Standard	Air piping port Rc1/4, electric wire outlet port G 1/2
8N	Standard	Air piping port Rc1/4, electric wire outlet port $\phi 10$
8F	Option	Air piping O-ring, electric wire outlet port $\phi 10$
Ⓑ Indicator lamp		
Blank	Without indicator lamp	
1N	100/200 VAC with indicator lamp	
3N	24 VDC with indicator lamp	

⚠ Precautions for model No. selection

*1: When NPT port size is required, indicate N after 8.
(Example) APE-8NT APE-8NN

*2: An O-ring (JIS B2401P10) and two hexagon socket head cap screws (M5 x 55 ℓ) are enclosed with APE-8F as accessories.

[Example of model No.]

APE-8T-1N

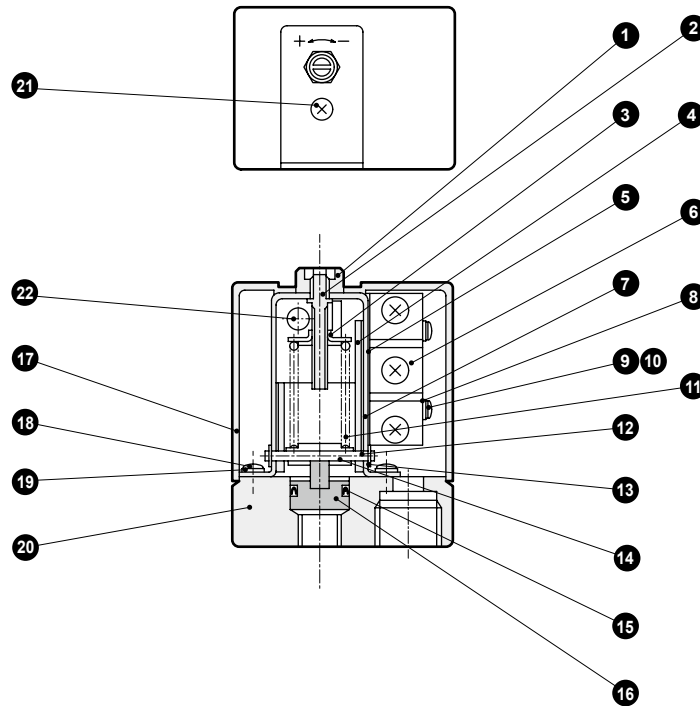
Model No.: Mechanical pressure switch

Ⓐ Wiring/piping method.....Rc1/4

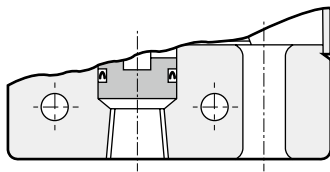
Ⓑ Indicator lamp.....With lamp for 100/200 VAC

Internal structure and parts list

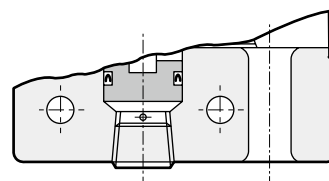
● APE-8T



● APE-8N



● APE-8F



No.	Part name	Material	Remarks	No.	Part name	Material	Remarks
1	Nut	Steel		12	Pin	Steel	
2	Adjusting screw	Steel		13	E type snap ring	Steel	
3	Spring holder	Steel		14	Spring holder	Steel	
4	Lever	Steel		15	Y packing	Nitrile rubber	
5	Insulating plate			16	Piston	Polyacetal	
6	Micro switch		Z-15GD-B	17	Cover	ABS resin	
7	Frame	Steel		18	Cross-recessed pan head machine screw	Steel	M4 × 10
8	Plain washer	Steel	Nominal 3	19	Spring washer	Steel	Nominal 4
9	Cross-recessed pan head machine screw	Steel	M3 × 20	20	Body	Zinc die casting	
10	Spring washer	Steel	Nominal 3	21	Cover securing screw	Steel	M3 flat head machine screw
11	Spring	Piano wire		22	Lamp		With indicator lamp (standard) only

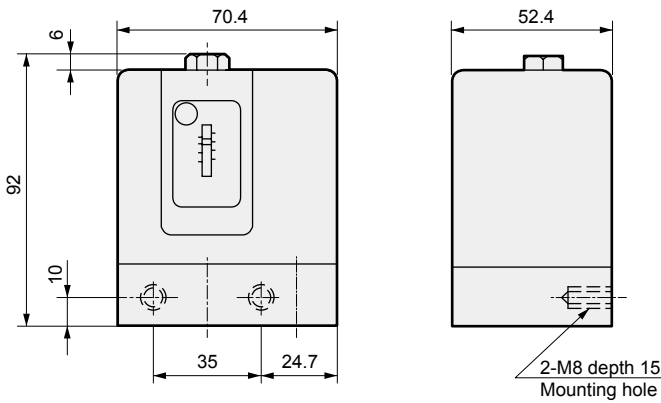
F.R.L
F (Filtr)
R (Reg)
L (Lub)
PresSW
Shutoff
SlowStart
FimResistFR
Oil-ProhR
MedPresFR
No Cu/ PTFE FRL
Outdrs FR
F.R.L (Related)
CompFRL
LgFRL
PrecsR
VacF/R
Clean FR
ElecPneuR
AirBoost
SpdContr
Silncr
CheckV/ other
Jnt/tube
AirUnt
PrecsCompn
Mech/ ElecPresSw
ContactSW
AirSens
PresSW Cool
AirFloSens/ Contr
WaterRtSens
TotAirSys (Total Air)
TotAirSys (Gamma)
RefrDry
DesicDry
HiPolymDry
MainFiltr
Dischrg etc
Ending

Dimensions

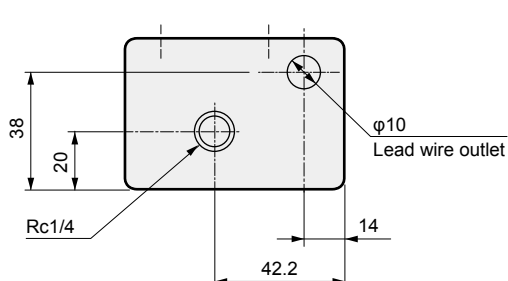
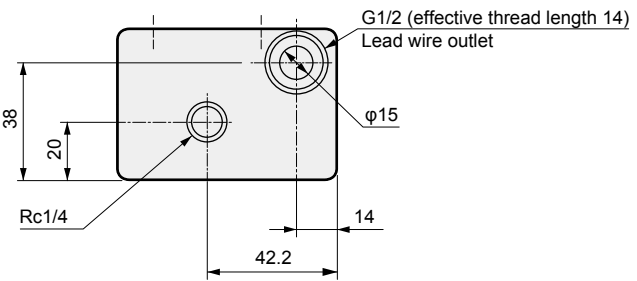
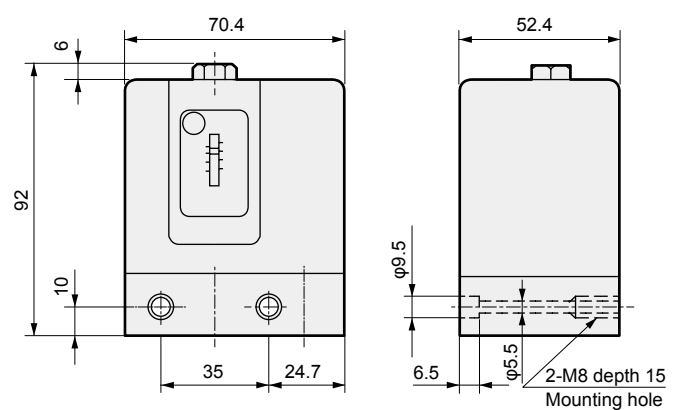


F.R.L
F (Filtr)
R (Reg)
L (Lub)
PresSW
Shutoff
SlowStart
FimResistFR
Oil-ProhR
MedPresFR
No Cu/ PTFE FRL
Outdrs FR
F.R.L (Related)
CompFRL
LgFRL
PrecsR
VacF/R
Clean FR
ElecPneuR
AirBoost
SpdContr
Silncr
CheckV/ other
Jnt/tube
AirUnt
PrecsCompn
Mech/ ElecPresSw
ContactSW
AirSens
PresSW Cool
AirFloSens/ Contr
WaterRtSens
TotAirSys (Total Air)
TotAirSys (Gamma)
RefrDry
DesicDry
HiPolymDry
MainFiltr
Dischrg etc
Ending

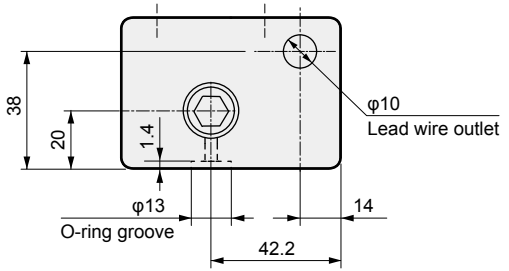
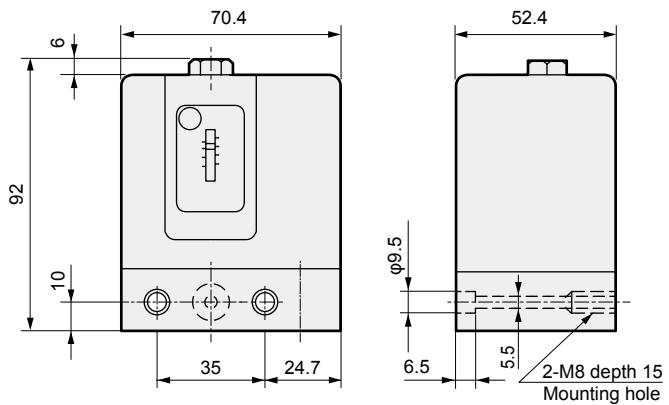
● APE-8T



● APE-8N

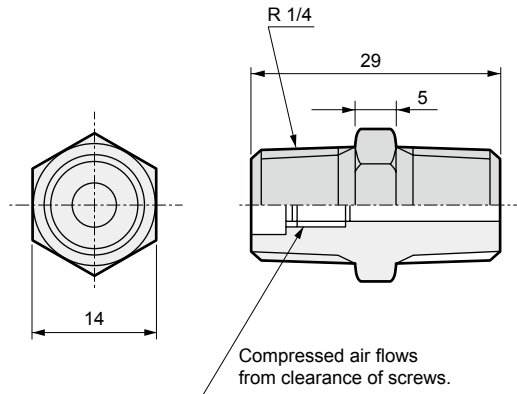


● APE-8F



Related parts

● Pressure absorbing nipple part model No.: APE-6556



Weight: 27g

Pressure absorbing nipple mounting dimensions

