

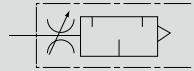


Metering valve with silencer

# FMS/SMW Series

● Port size: M5 / R3/8 / R1/2

JIS symbol



## Specifications

Descriptions	FMS-M5	SMW-10A	SMW-15A
Working fluid	Compressed air		
Max. working pressure MPa	0.7 (≈100 psi, 7 bar)		
Min. working pressure MPa	0 (≈0 psi, 0 bar)		
Proof pressure MPa	1.05 (≈150 psi, 10.5 bar)		
Fluid temperature °C	5 (41°F) to 60 (140°F) (no freezing. *3)		
Ambient temperature °C	-10 (14°F) to 60 (140°F) (no freezing)		
Port size	M5	3/8	1/2
Weight	6	125	170
Cylinder bore size mm	φ6 to φ15	φ50 to φ100	φ50 to φ100
Needle rotation speed	10	19	19
Noise reduction effect *2 dB	20 or more		
Flow rate *1 l/min (ANR)	250	1700	2600
Effective cross-sectional area mm <sup>2</sup>	4	25	39

\*1: Flow rate is the atmospheric pressure conversion at 0.5 MPa.

\*2: Noise reduction effect at maximum flow rate is shown.

\*3: Freezing may occur due to adiabatic expansion depending on the air quality (dew point).

## How to order

**FMS - M5**

Ⓐ Port size

Code	Content
Ⓐ Port size	
<b>M5</b>	M5×0.8

Note: Sales unit is 2 pcs./bag.

**SMW - 10A**

Ⓐ Port size

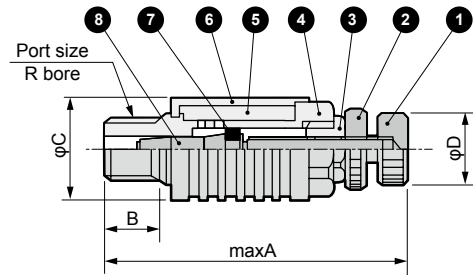
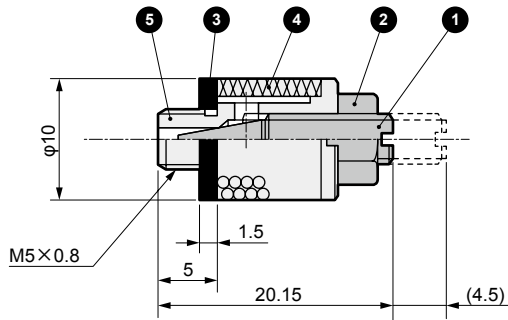
Code	Content
Ⓐ Port size	
<b>10A</b>	R3/8
<b>15A</b>	R1/2

## Internal structure and parts list/dimensions



● FMS-M5

● SMW-10A/15A



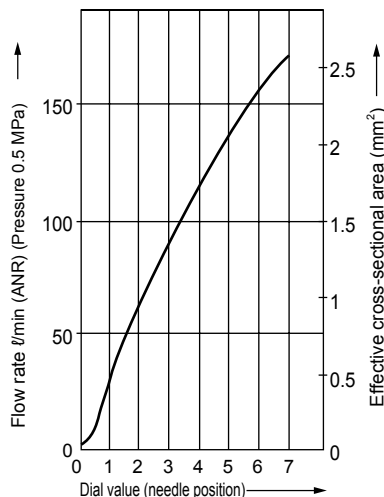
No.	Part name	Material
1	Needle	Copper alloy
2	Lock nut	Copper alloy
3	Gasket	Nitrile rubber
4	Filter	Copper alloy casting
5	Valve body	Copper alloy

Model No.	A	B	C	D	Port size
SMW-10A	85	12	25	16	R3/8
SMW-15A	98	15	28	16	R1/2

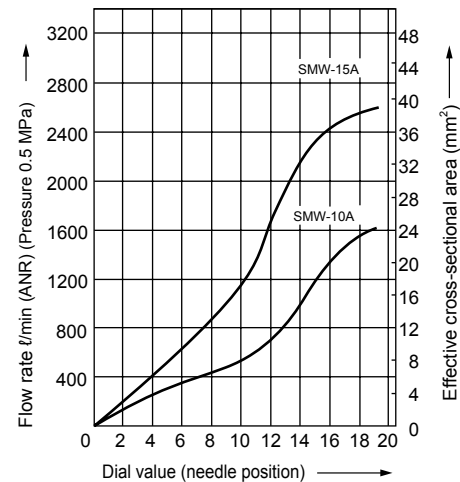
No.	Part name	Material	No.	Part name	Material
1	Knob	Copper alloy	5	Sound absorbent material	Felt
2	Lock nut	Copper alloy	6	Cover	Polyamide resin
3	Gland nut	Copper alloy	7	O-ring	Nitrile rubber
4	Shaft body	Copper alloy	8	Spindle	Copper alloy

## Flow characteristics

● FMS



● SMW-10A/15A



## ⚠ Safety precautions

● Tightening torque

Thread size	Tightening torque (N·m)
M5	1.0
R3/8	3.0
R1/2	3.0

- F.R.L
- F (Filtr)
- R (Reg)
- L (Lub)
- PresSW
- Shutoff
- SlowStart
- FimResistFR
- Oil-ProhR
- MedPresFR
- No Cu/PTFE FRL
- Outdrs FR
- F.R.L (Related)
- CompFRL
- LgFRL
- PrescR
- VacF/R
- Clean FR
- ElecPneuR
- AirBoost
- SpdContr
- Silncr
- CheckV/other
- Jnt/tube
- AirUnt
- PresCompn
- Mech/ElecPresSw
- ContactSW
- AirSens
- PresSW Cool
- AirFloSens/Contr
- WaterRISens
- TotAirSys (Total Air)
- TotAirSys (Gamma)
- RefrDry
- DesicDry
- HiPolymDry
- MainFiltr
- Dischrg etc
- Ending