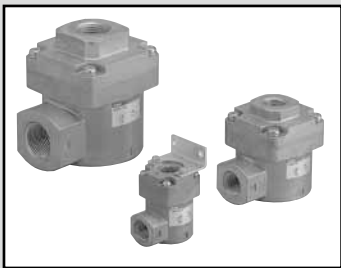
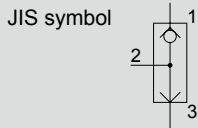


F.R.L
 F (Filtr)
 R (Reg)
 L (Lub)
 PresSW
 Shutoff
 SlowStart
 FilmResistFR
 Oil-ProhR
 MedPresFR
 No Cu/
 PTFE FRL
 Outdrs FR
 F.R.L
 (Related)
 CompFRL
 LgFRL
 PrecsR
 VacF/R
 Clean FR
 ElecPneuR
 AirBoost
 SpdContr
 Silncr
 CheckV/
 other
 Jnt/tube
 AirUnt
 PrecsCompn
 Mech/
 ElecPresSw
 ContactSW
 AirSens
 PresSW
 Cool
 AirFloSens/
 Contr
 WaterRtSens
 TotAirSys
 (Total Air)
 TotAirSys
 (Gamma)
 RefrDry
 DesicDry
 HiPolymDry
 MainFiltr
 Dischrg
 etc
 Ending



Shuttle valve SHV2 Series

● Port size: Rc1/8 to Rc1



Features

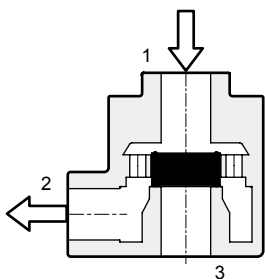
- **Variety of bore sizes available**
Series includes piping bore sizes Rc1/8 to Rc1.
- **Wide range of options**
 - Fluoro rubber specifications available as options
 - Mounting bracket available (small bore)
- **Eco-friendly product**
 - Eco-friendly design is free of lead and hexavalent chrome
 - Paint-free
 - Waste sorting is simplified

Specifications

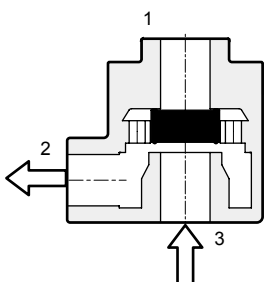
Model No.	SHV2-6	SHV2-8	SHV2-10	SHV2-15	SHV2-20	SHV2-25	
Descriptions							
Working fluid	Compressed air						
Max. working pressure MPa	1.0 (≈150 psi, 10 bar)						
Min. working pressure MPa	0.05 (≈7.3 psi, 0.5 bar)						
Min. working differential pressure MPa	0.05 (≈7.3 psi, 0.5 bar)						
Proof pressure MPa	1.5 (≈220 psi, 15 bar)						
Fluid temperature °C	5 (41°F) to 60 (140°F)						
Ambient temperature °C	0 (32°F) to 60 (140°F) (no freezing)						
Port size Rc	1/8	1/4	3/8	1/2	3/4	1	
Weight g	86	82	270	270	760	700	
Mounting bracket weight g	15		-				
Mounting orientation	Unrestricted						
Eff. X-sectional area mm ²	1→2	20	28	90	105	205	245
	3→2	22	32	95	115	210	250
Min. required flow rate *1 ℓ/min	20	30	100		150		

*1: The valve may not switch completely if the flow rate is less than this value.

Operational explanation



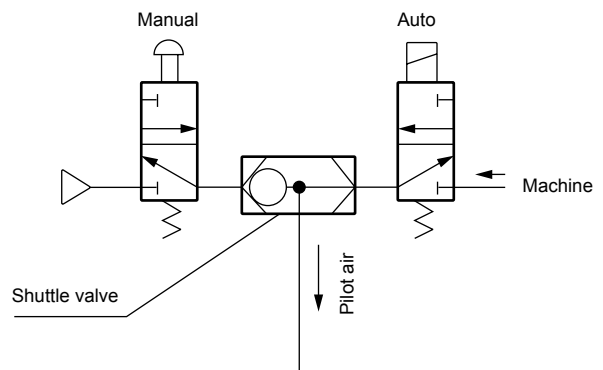
● 1→2
The valve closes port 3 with pressure from port 1. Air flows to port 2.



● 3→2
The valve closes port 1 with pressure from port 3. Air flows to port 2.

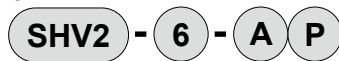
Applications

(1) Switching manual/auto



How to order

● Shuttle valve



Model No.

Ⓐ Port size

Ⓑ Option

Ⓒ Accessory

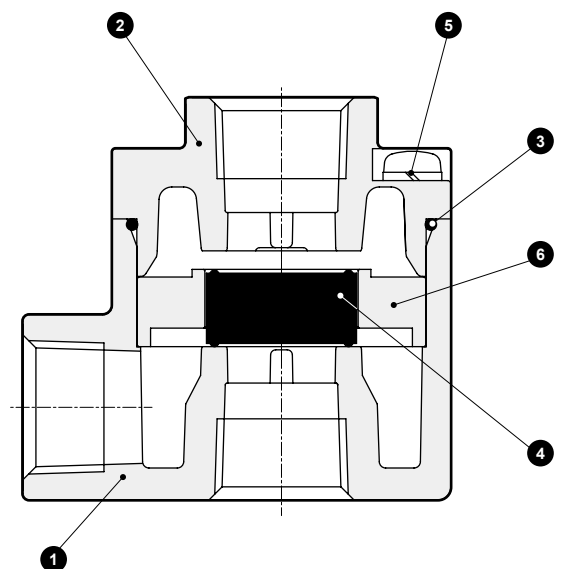
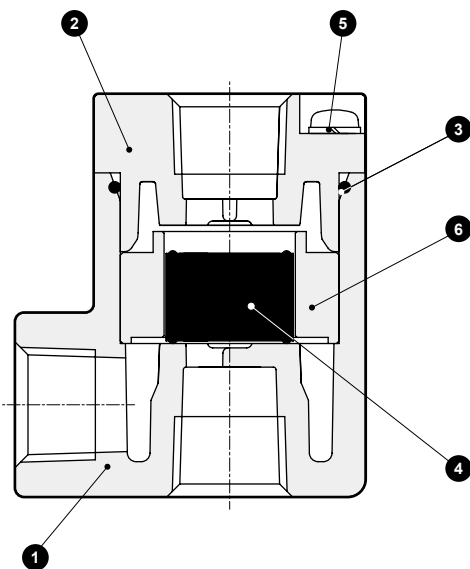
Code	Content
Ⓐ Port size	
6	Rc 1/8
8	Rc 1/4
10	Rc 3/8
15	Rc 1/2
20	Rc 3/4
25	Rc 1
Ⓑ Option	
Blank	No option
A	Fluoro rubber specifications
Ⓒ Accessory	
Blank	None
P	Mounting bracket attached

*1: Mounting bracket is available for SHV2-6 and SHV2-8 only.

Internal structure and parts list

● SHV2-6/8

● SHV2-10/15/20/25



No.	Part name	Material
1	Body	Aluminum die-casting
2	Plug	Aluminum die-casting
3	O-ring	Nitrile rubber (fluoro rubber)
4	Valve	Nitrile rubber (fluoro rubber)
5	Cross-recessed pan head machine screw with switch	Stainless steel
6	Guide ring	Aluminum alloy

* Materials shown in () are for option "A" (fluoro rubber specifications).

- F.R.L
- F (Filtr)
- R (Reg)
- L (Lub)
- PresSW
- Shutoff
- SlowStart
- FimResistFR
- Oil-ProhR
- MedPresFR
- No Cu/
PTFE FRL
- Outdrs FR
- F.R.L
(Related)
- CompFRL
- LgFRL
- PrecsR
- VacF/R
- Clean FR
- ElecPneuR
- AirBoost
- SpdContr
- Silncr
- CheckV/
other
- Jnt/tube
- AirUnt
- PrecsCompn
- Mech/
ElecPresSw
- ContactSW
- AirSens
- PresSW
Cool
- AirFloSens/
Contr
- WaterRISens
- TotAirSys
(Total Air)
- TotAirSys
(Gamma)
- RefrDry
- DesicDry
- HiPolymDry
- MainFiltr
- Dischrg
etc
- Ending

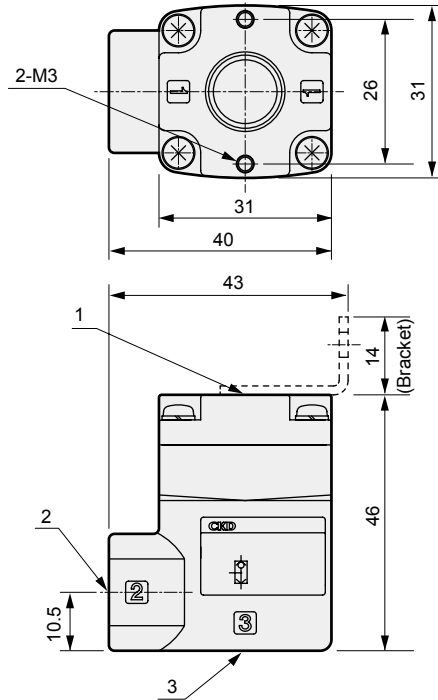
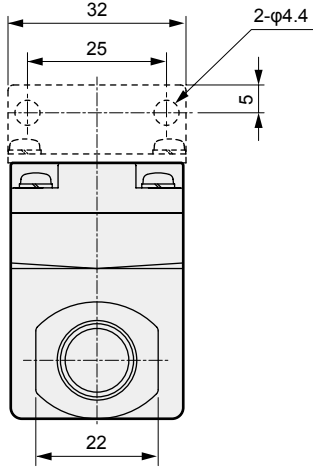
SHV2 Series



Dimensions

- F.R.L
- F (Filtr)
- R (Reg)
- L (Lub)
- PresSW
- Shutoff
- SlowStart
- FimResistFR
- Oil-ProhR
- MedPresFR
- No Cu/
PTFE FRL
- Outdrs FR
- F.R.L
(Related)
- CompFRL
- LgFRL
- PrecsR
- VacF/R
- Clean FR
- ElecPneuR
- AirBoost
- SpdContr
- Silncr
- CheckV/
other
- Jnt/tube
- AirUnt
- PrecsCompn
- Mech/
ElecPresSw
- ContactSW
- AirSens
- PresSW
Cool
- AirFloSens/
Contr
- WaterRtSens
- TotAirSys
(Total Air)
- TotAirSys
(Gamma)
- RefrDry
- DesicDry
- HiPolymDry
- MainFiltr
- Dischrg
etc
- Ending

● SHV2-6/8

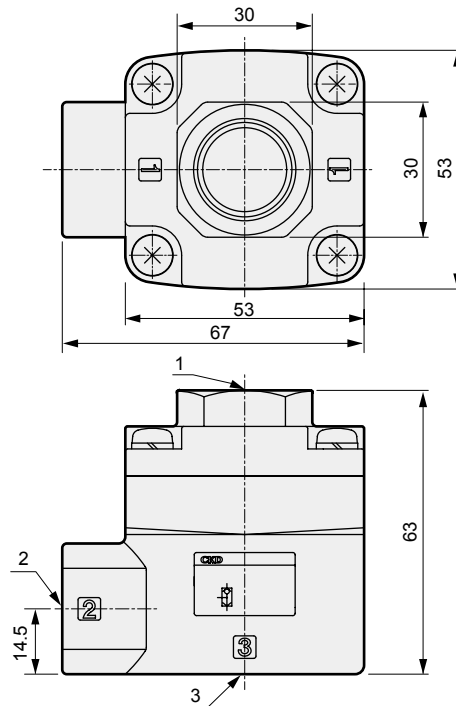
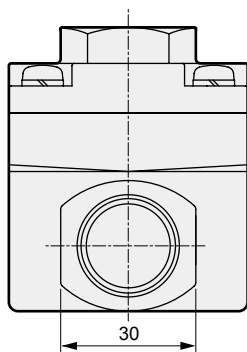


[Piping port indication]

Model No.	Port position		
	1	2	3
SHV2-6		Rc 1/8	
SHV2-8		Rc 1/4	

Port code	Content
1	A (Input)
2	OUT (Output)
3	B (Input)

● SHV2-10/15



[Piping port indication]

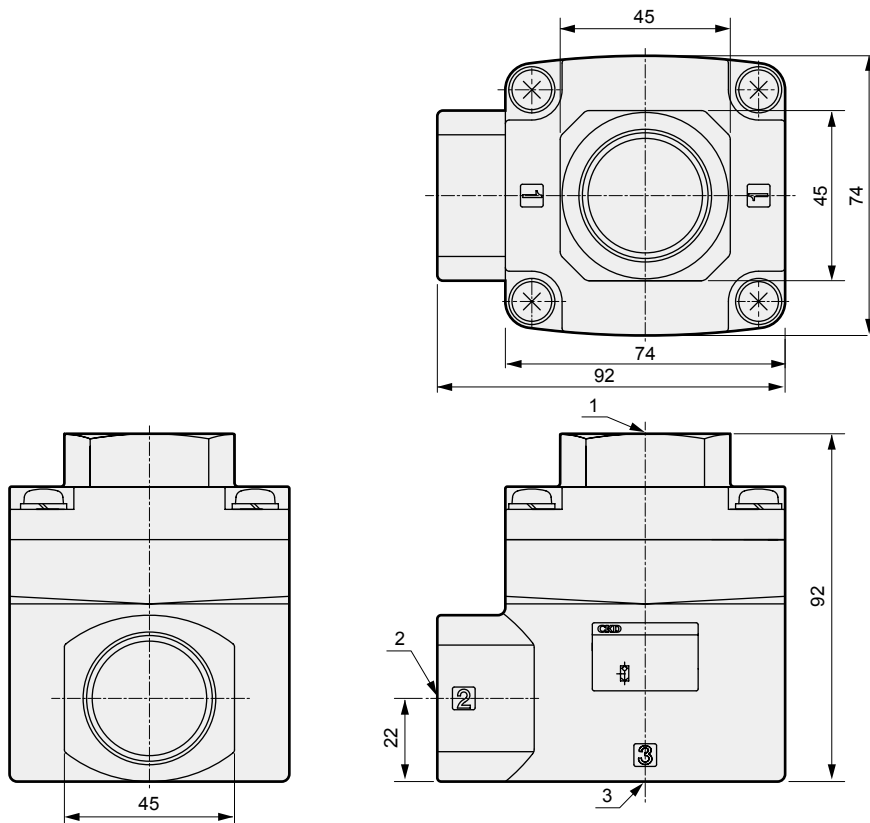
Model No.	Port position		
	1	2	3
SHV2-10		Rc 3/8	
SHV2-15		Rc 1/2	

Port code	Content
1	A (Input)
2	OUT (Output)
3	B (Input)

Dimensions



● SHV2-20/25



Model No.	Port position		
	1	2	3
SHV2-20		Rc 3/4	
SHV2-25		Rc 1	

[Piping port indication]

Port code	Content
1	A (Input)
2	OUT (Output)
3	B (Input)

⚠ Safety precautions

■ Design/selection

- This valve cannot be used as a stop valve that requires no leakage. Slight leakage is allowed for in this product's specifications.
- While there is no orientation to the installation, if used in a range with little differential pressure (0.05 MPa or less), the movement could become sluggish.

■ Mounting, installation and adjustment

- Apply recommended tightening torque when connecting pipes.
 - The purpose is to prevent air leakage and damage to bolts.
 - First tighten the bolts by hand to ensure that the threads are not damaged, then use a tool.
 - Do not tighten while pressure is applied.
- Install a pneumatic filter just before the pneumatic component in the circuit.

■ Use/maintenance

- Stop air flow and confirm that there is no residual pressure before replacing the tube.

[Recommended tightening torque]

	Tightening torque N·m
Rc 1/8	3 to 5
Rc 1/4	6 to 8
Rc 3/8	13 to 15
Rc 1/2	16 to 18
Rc 3/4	19 to 40
Rc 1	41 to 70

F.R.L
F (Filtr)
R (Reg)
L (Lub)
PresSW
Shutoff
SlowStart
FmResistFR
Oil-ProhR
MedPresFR
No Cu/ PTFE FRL
Outdrs FR
F.R.L (Related)
CompFRL
LgFRL
PrecsR
VacF/R
Clean FR
ElecPneuR
AirBoost
SpdContr
Silncr
CheckV/ other
Jnt/tube
AirUnt
PrecsCompn
Mech/ ElecPresSw
ContactSW
AirSens
PresSW Cool
AirFloSens/ Contr
WaterRtSens
TotAirSys (Total Air)
TotAirSys (Gamma)
RefrDry
DesicDry
HiPolymDry
MainFiltr
Dischrg etc
Ending