








ZJ

Tightening fitting, stainless steel series

Port size: R1/8 to R1/2

Single straight ZJ-S□-□	Compatible tube O.D. φ	Single elbow ZJ-L□-□	Compatible tube O.D. φ
	4		4
	6		6
	8		8
	10		10
	12		12
·Refer to page: 772		·Refer to page: 772	
Double tee ZJ-T□-□	Compatible tube O.D. φ	D tee ZJ-T□-□-D	Compatible tube O.D. φ
	4		4
	6		6
	8		8
	10		10
	12		12
·Refer to page: 773		·Refer to page: 773	
Straight ZJ-S□-0	Compatible tube O.D. φ	Tee ZJ-T□-0	Compatible tube O.D. φ
	4		4
	6		6
	8		8
	10		10
	12		12
·Refer to page: 774		·Refer to page: 774	
Sleeve integrated with nut ZJ-N□	Compatible tube O.D. φ		
	4		
	6		
	8		
	10		
	12		
·Refer to page: 774			

· Sales unit is 1 pc./bag.

F.R.L
F (Filtr)
R (Reg)
L (Lub)
PresSW
Shutoff
SlowStart
FimResistFR
Oil-ProhR
MedPresFR
No Cu/ PTFE FRL
Outdrs FR
F.R.L (Related)
CompFRL
LgFRL
PrescR
VacF/R
Clean FR
ElecPneuR
AirBoost
SpdContr
Silncr
CheckV/ other
Jnt/tube
AirUnt
PrescCompn
Mech/ ElecPresSw
ContactSW
AirSens
PresSW Cool
AirFloSens/ Contr
WaterRtSens
TotAirSys (Total Air)
TotAirSys (Gamma)
RefrDry
DesicDry
HiPolymDry
MainFiltr
Dischrg etc
Ending

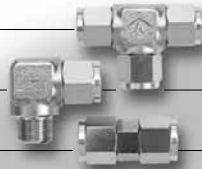
F.R.L
F (Filtr)
R (Reg)
L (Lub)
PresSW
Shutoff
SlowStart
FimResistFR
Oil-ProhR
MedPresFR
No Cu/ PTFE FRL
Outdrs FR
F.R.L (Related)
CompFRL
LgFRL
PrecsR
VacF/R
Clean FR
ElecPneuR
AirBoost
SpdContr
Silncr
CheckV/ other
Jnt/tube
AirUnt
PrecsCompn
Mech/ ElecPresSw
ContactSW
AirSens
PresSW Cool
AirFloSens/ Contr
WaterRtSens
TotAirSys (Total Air)
TotAirSys (Gamma)
RefrDry
DesicDry
HiPolymDry
MainFiltr
Dischrg etc
Ending

Stainless steel, tightening fitting — ZJ Series.

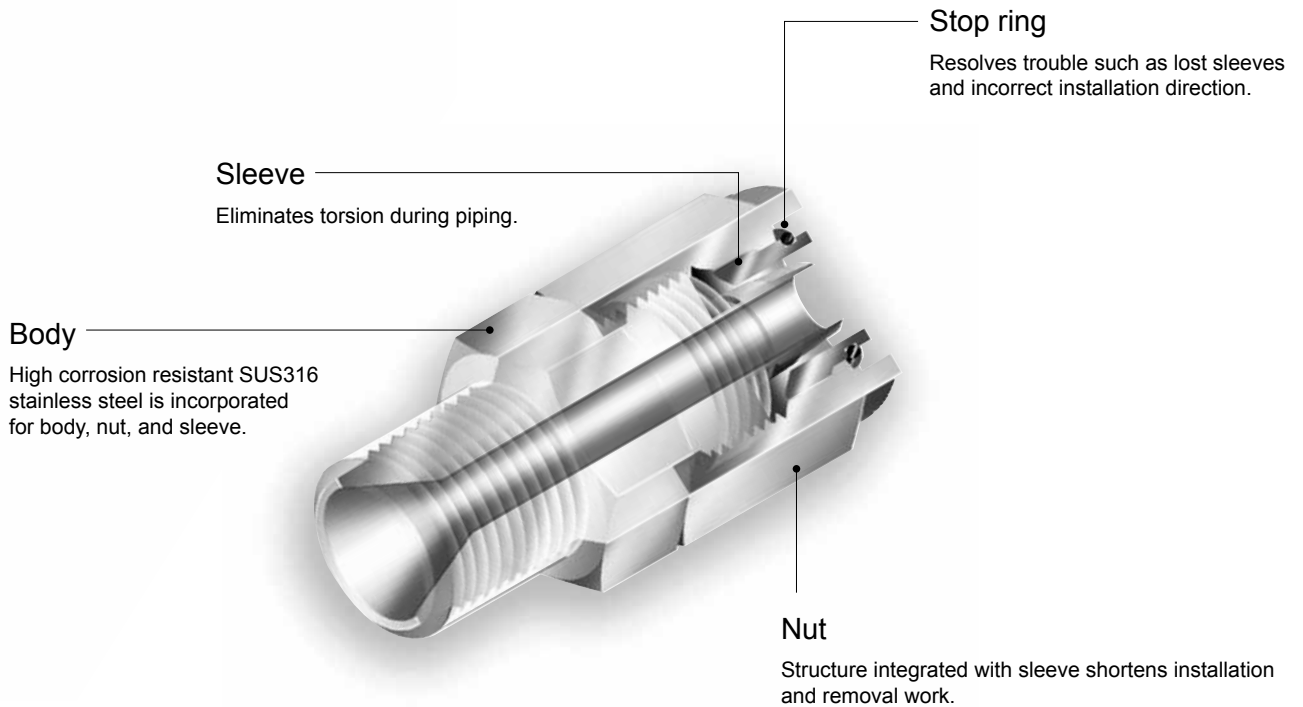
High sealing performance; repeated use possible.

Port size: R1/8 to R1/2

Compatible tube O.D.: $\phi 4$ to $\phi 12$



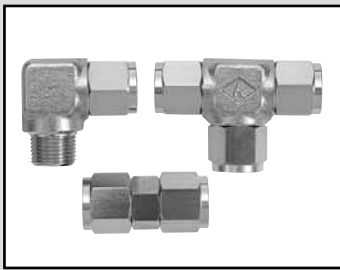
- Easy-to-fit mechanism (integrated nut and sleeve) has improved work efficiency.
- Original sleeve eliminates tubing torsion during piping.
- Sleeve need not be replaced even when used repeatedly.
- Smooth inner bore surface.
- Ample size variations fit various tubing.
- Oil can be cleaned off.



Stainless steel,
tightening fitting

ZJ Series

CKD



Tightening fitting, stainless steel series

ZJ Series

- Port size: R1/8 to R1/2
- Compatible tube: $\phi 4$ to $\phi 12$



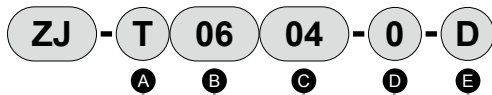
Specifications

Descriptions	Content
Working fluid	Compressed air, inert gas
Working pressure MPa	1.0 (≈ 150 psi, 10 bar) or less
Negative pressure kPa	-100 (≈ -15 psi, -1 bar)
Ambient temperature °C	-10 (14°F) to 60 (140°F)
Tube used	Urethane tube (U-92**, U-95**, NU-**) Eco-flex tube (ecos-*x*, ecoh-*x*)

*1: Refer to page 814 for details on tubes.

How to order

* Refer to model No. sections on dimensions page for combination of model No.



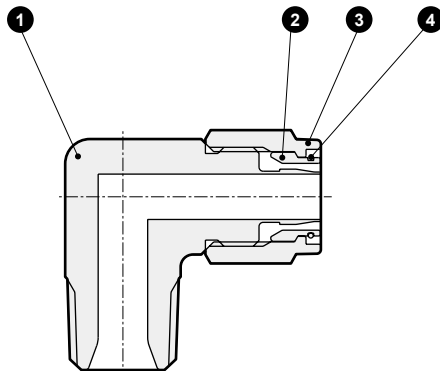
A Shape		B Compatible tube O.D.		C Compatible tube I.D.		D Port size		E Other combinations	
S	Straight	04	$\phi 4$	25	$\phi 2.5$	6	R1/8	D	D type
L	Elbow	06	$\phi 6$	04	$\phi 4$	8	R1/4		
T	Tee	08	$\phi 8$	05	$\phi 5$	10	R3/8		
N	Sleeve integrated nut	10	$\phi 10$	06	$\phi 6$	15	R1/2		
		12	$\phi 12$	65	$\phi 6.5$	0	No thread		
				75	$\phi 7.5$				
				08	$\phi 8$				
				09	$\phi 9$				
				10	$\phi 10$				

Clean-room specifications (Catalog No. CB-033SA)

Note: Sales unit is 1 pc.

ZJ - P90

Internal structure and main parts list



No.	Part name	Material
1	Body	Stainless steel (SUS316)
2	Sleeve	Stainless steel (SUS316)
3	Nut	Stainless steel (SUS316) (electroless nickel plated)
4	Stop ring	Stainless steel (SUS304)

- F.R.L
- F (Filtr)
- R (Reg)
- L (Lub)
- PresSW
- Shutoff
- SlowStart
- FimResistFR
- Oil-ProhR
- MedPresFR
- No Cu/PTFE FRL
- Outdrs FR
- F.R.L (Related)
- CompFRL
- LgFRL
- PrescR
- VacF/R
- Clean FR
- ElecPneuR
- AirBoost
- SpdContr
- Silncr
- CheckV/other
- Jnt/tube
- AirUnt
- PresCompn
- Mech/ElecPresSw
- ContactSW
- AirSens
- PresSW Cool
- AirFloSens/Contr
- WaterRtSens
- TotAirSys (Total Air)
- TotAirSys (Gamma)
- RefrDry
- DesicDry
- HiPolymDry
- MainFiltr
- Dischrg etc
- Ending

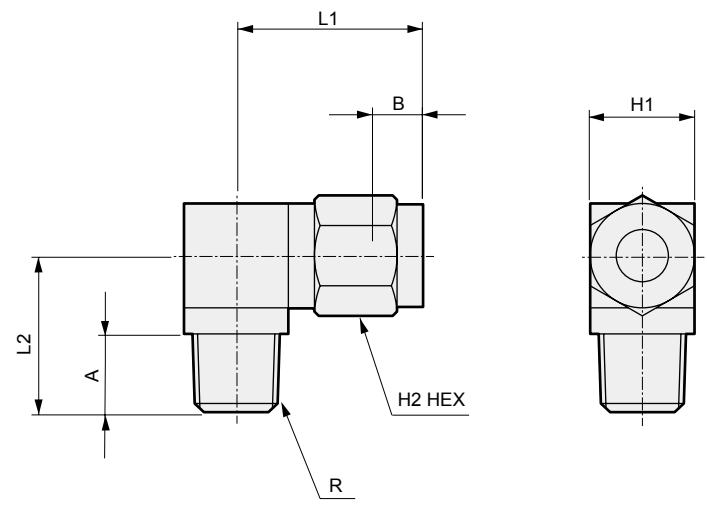
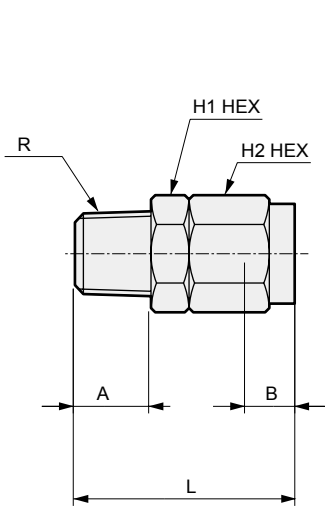
F.R.L Dimensions

Single straight
● ZJ-S□□□□

- F (Filtr)
- R (Reg)
- L (Lub)
- PresSW
- Shutoff
- SlowStart
- FimResistFR
- Oil-ProhR
- MedPresFR
- No Cu/PTFE FRL
- Outdrs FR
- F.R.L (Related)
- CompFRL
- LgFRL
- PrecsR
- VacF/R
- Clean FR
- ElecPneuR
- AirBoost
- SpdContr
- Silncr
- CheckV/other
- Jnt/tube
- AirUnt
- PrecsCompn
- Mech/ElecPresSw
- ContactSW
- AirSens
- PresSW Cool
- AirFloSens/Contr
- WaterRtSens
- TotAirSys (Total Air)
- TotAirSys (Gamma)
- RefrDry
- DesicDry
- HiPolymDry
- MainFiltr
- Dischrg etc
- Ending

Single elbow
● ZJ-L□□□□

[Sales unit is 1 pc./bag]



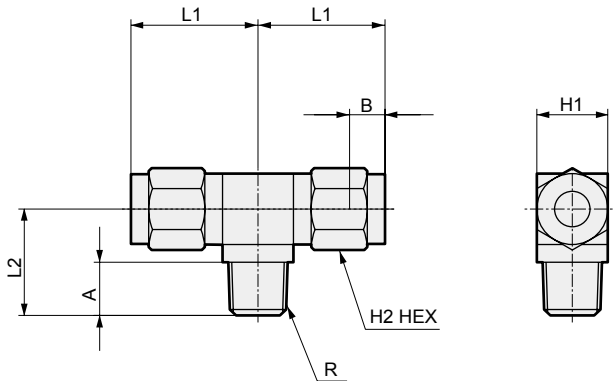
Model No.	Tube O.D. φ	R	L	A	B	Min. bore size	H1	H2	Wt. g
ZJ-S0425- 6	4	1/8	24	9	6	1.9	10	10	12
ZJ-S0425- 8		1/4	26	11	6	1.9	14	10	19
ZJ-S0604- 6	6	1/8	26	9	7	3.4	12	12	16
ZJ-S0604- 8		1/4	28.5	11	7	3.4	14	12	23
ZJ-S0604-10		3/8	30	12	7	3.4	17	12	34
ZJ-S0805- 6	8	1/8	28	9	7.5	4.4	14	14	22
ZJ-S0806- 6		1/8	28	9	7.5	5.4	14	14	21
ZJ-S0805- 8		1/4	30	11	7.5	4.4	14	14	27
ZJ-S0806- 8		1/4	30	11	7.5	5.4	14	14	26
ZJ-S0805-10		3/8	31	12	7.5	4.4	17	14	37
ZJ-S0806-10		3/8	31	12	7.5	5.4	17	14	36
ZJ-S1065- 8	10	1/4	32	11	8	5.9	17	17	39
ZJ-S1075- 8		1/4	32	11	8	6.9	17	17	36
ZJ-S1008- 8		1/4	32	11	8	7.4	17	17	36
ZJ-S1065-10		3/8	33	12	8	5.9	17	17	45
ZJ-S1075-10		3/8	33	12	8	6.9	17	17	43
ZJ-S1008-10		3/8	33	12	8	7.4	17	17	43
ZJ-S1065-15		1/2	36	15	8	5.9	22	17	67
ZJ-S1075-15		1/2	36	15	8	6.9	22	17	65
ZJ-S1008-15	1/2	36	15	8	7.4	22	17	64	
ZJ-S1208- 8	12	1/4	34	11	9.5	7.2	17	19	44
ZJ-S1209- 8		1/4	34	11	9.5	7.9	17	19	42
ZJ-S1210- 8		1/4	34	11	9.5	7.9	17	19	43
ZJ-S1208-10		3/8	35	12	9.5	7.2	17	19	50
ZJ-S1209-10		3/8	35	12	9.5	8.2	17	19	48
ZJ-S1210-10		3/8	35	12	9.5	9.2	17	19	46
ZJ-S1208-15		1/2	38	15	9.5	7.2	22	19	72
ZJ-S1209-15		1/2	38	15	9.5	8.2	22	19	70
ZJ-S1210-15		1/2	38	15	9.5	9.2	22	19	68

Model No.	Tube O.D. φ	R	L1	L2	A	B	Min. bore size	H1	H2	Wt. g
ZJ-L0425- 6	4	1/8	20	18	9	6	1.9	12	10	24
ZJ-L0425- 8		1/4	21	21	11	6	1.9	14	10	37
ZJ-L0604- 6	6	1/8	21.5	18	9	7	3.4	12	12	27
ZJ-L0604- 8		1/4	22.5	21	11	7	3.4	14	12	40
ZJ-L0604-10		3/8	23.5	23	12	7	3.4	17	12	60
ZJ-L0805- 6	8	1/8	24	19	9	7.5	4.4	14	14	40
ZJ-L0806- 6		1/8	24	19	9	7.5	5.4	14	14	38
ZJ-L0805- 8		1/4	24	21	11	7.5	4.4	14	14	42
ZJ-L0806- 8		1/4	24	21	11	7.5	5.4	14	14	42
ZJ-L0805-10		3/8	25	23	12	7.5	4.4	17	14	63
ZJ-L0806-10		3/8	25	23	12	7.5	5.4	17	14	62
ZJ-L1065- 8	10	1/4	26.5	22	11	8	5.9	17	17	62
ZJ-L1075- 8		1/4	26.5	22	11	8	6.9	17	17	63
ZJ-L1008- 8		1/4	26.5	22	11	8	7.4	17	17	61
ZJ-L1065-10		3/8	26.5	23	12	8	5.9	17	17	70
ZJ-L1075-10		3/8	26.5	23	12	8	6.9	17	17	68
ZJ-L1008-10		3/8	26.5	23	12	8	7.4	17	17	68
ZJ-L1065-15		1/2	28.5	29	15	8	5.9	22	17	122
ZJ-L1075-15		1/2	28.5	29	15	8	6.9	22	17	121
ZJ-L1008-15	1/2	28.5	29	15	8	7.4	22	17	120	
ZJ-L1208- 8	12	1/4	27.5	23	11	9.5	7.2	17	19	68
ZJ-L1209- 8		1/4	27.5	23	11	9.5	7.9	17	19	66
ZJ-S1210- 8		1/4	27.5	23	11	9.5	7.9	17	19	64
ZJ-L1208-10		3/8	30	27	12	9.5	7.2	22	19	117
ZJ-L1209-10		3/8	30	27	12	9.5	8.2	22	19	115
ZJ-L1210-10		3/8	30	27	12	9.5	9.2	22	19	113
ZJ-L1208-15		1/2	30	30	15	9.5	7.2	22	19	130
ZJ-L1209-15		1/2	30	30	15	9.5	8.2	22	19	129
ZJ-L1210-15		1/2	30	30	15	9.5	9.2	22	19	125

Dimensions

Double tee

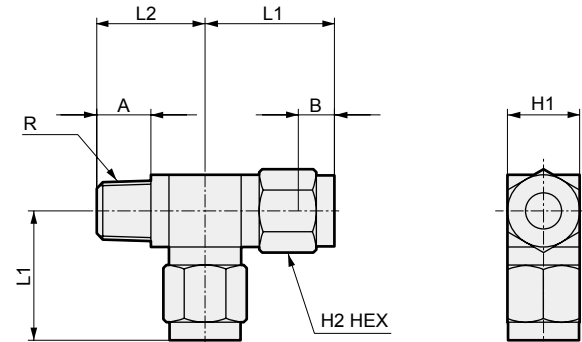
● ZJ-T□□□-□



D tee

● ZJ-T□□□-□-D

[Sales unit is 1 pc./bag]



Model No.	Tube O.D. φ	R	L1	L2	A	B	Min. bore size	H1	H2	Wt. g
ZJ-T0425- 6	4	1/8	20	18	9	6	1.9	12	10	33
ZJ-T0425- 8		1/4	21	21	11	6	1.9	14	10	46
ZJ-T0604- 6	6	1/8	21.5	18	9	7	3.4	12	12	38
ZJ-T0604- 8		1/4	22.5	21	11	7	3.4	14	12	51
ZJ-T0604-10		3/8	23.5	23	12	7	3.4	17	12	73
ZJ-T0805- 6	8	1/8	23.5	19	9	7.5	4.4	14	14	54
ZJ-T0806- 6		1/8	23.5	19	9	7.5	5.4	14	14	52
ZJ-T0805- 8		1/4	23.5	21	11	7.5	4.4	14	14	58
ZJ-T0806- 8		1/4	23.5	21	11	7.5	5.4	14	14	56
ZJ-T0805-10		3/8	25	23	12	7.5	4.4	17	14	82
ZJ-T0806-10		3/8	25	23	12	7.5	5.4	17	14	80
ZJ-T1065- 8	10	1/4	28.5	25	11	8	5.9	22	17	134
ZJ-T1075- 8		1/4	28.5	25	11	8	6.9	22	17	132
ZJ-T1008- 8		1/4	28.5	25	11	8	7.4	22	17	131
ZJ-T1065-10		3/8	28.5	26	12	8	5.9	22	17	142
ZJ-T1075-10		3/8	28.5	26	12	8	6.9	22	17	139
ZJ-T1008-10		3/8	28.5	26	12	8	7.4	22	17	137
ZJ-T1065-15		1/2	28.5	29	15	8	5.9	22	17	151
ZJ-T1075-15		1/2	28.5	29	15	8	6.9	22	17	147
ZJ-T1008-15		1/2	28.5	29	15	8	7.4	22	17	146
ZJ-T1208- 8		12	1/4	30	26	11	9.5	7.2	22	19
ZJ-T1209- 8	1/4		30	26	11	9.5	7.9	22	19	141
ZJ-T1210- 8	1/4		30	26	11	9.5	7.9	22	19	138
ZJ-T1208-10	3/8		30	27	12	9.5	7.2	22	19	149
ZJ-T1209-10	3/8		30	27	12	9.5	8.2	22	19	146
ZJ-T1210-10	3/8		30	27	12	9.5	9.2	22	19	141
ZJ-T1208-15	1/2		30	30	15	9.5	7.2	22	19	162
ZJ-T1209-15	1/2		30	30	15	9.5	8.2	22	19	158
ZJ-T1210-15	1/2		30	30	15	9.5	9.2	22	19	154

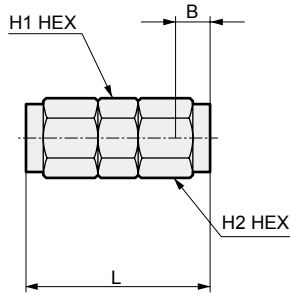
Model No.	Tube O.D. φ	R	L1	L2	A	B	Min. bore size	H1	H2	Wt. g
ZJ-T0425- 6-D	4	1/8	20	18	9	6	1.9	12	10	35
ZJ-T0425- 8-D		1/4	21	21	11	6	1.9	14	10	49
ZJ-T0604- 6-D	6	1/8	21.5	18	9	7	3.4	12	12	39
ZJ-T0604- 8-D		1/4	22.5	21	11	7	3.4	14	12	54
ZJ-T0604-10-D		3/8	23.5	23	12	7	3.4	17	12	78
ZJ-T0805- 6-D	8	1/8	23.5	19	9	7.5	4.4	14	14	55
ZJ-T0806- 6-D		1/8	23.5	19	9	7.5	5.4	14	14	53
ZJ-T0805- 8-D		1/4	23.5	21	11	7.5	4.4	14	14	59
ZJ-T0806- 8-D		1/4	23.5	21	11	7.5	5.4	14	14	57
ZJ-T0805-10-D		3/8	25	23	12	7.5	4.4	17	14	85
ZJ-T0806-10-D		3/8	25	23	12	7.5	5.4	17	14	81
ZJ-T1065- 8-D	10	1/4	28.5	25	11	8	5.9	22	17	135
ZJ-T1075- 8-D		1/4	28.5	25	11	8	6.9	22	17	129
ZJ-T1008- 8-D		1/4	28.5	25	11	8	7.4	22	17	127
ZJ-T1065-10-D		3/8	28.5	26	12	8	5.9	22	17	142
ZJ-T1075-10-D		3/8	28.5	26	12	8	6.9	22	17	136
ZJ-T1008-10-D		3/8	28.5	26	12	8	7.4	22	17	135
ZJ-T1065-15-D		1/2	28.5	29	15	8	5.9	22	17	157
ZJ-T1075-15-D		1/2	28.5	29	15	8	6.9	22	17	152
ZJ-T1008-15-D		1/2	28.5	29	15	8	7.4	22	17	151
ZJ-T1208- 8-D		12	1/4	30	26	11	9.5	7.2	22	19
ZJ-T1209- 8-D	1/4		30	26	11	9.5	7.9	22	19	144
ZJ-T1210- 8-D	1/4		30	26	11	9.5	7.9	22	19	145
ZJ-T1208-10-D	3/8		30	27	12	9.5	7.2	22	19	153
ZJ-T1209-10-D	3/8		30	27	12	9.5	8.2	22	19	148
ZJ-T1210-10-D	3/8		30	27	12	9.5	9.2	22	19	141
ZJ-T1208-15-D	1/2		30	30	15	9.5	7.2	22	19	167
ZJ-T1209-15-D	1/2		30	30	15	9.5	8.2	22	19	163
ZJ-T1210-15-D	1/2		30	30	15	9.5	9.2	22	19	155

F.R.L
F (Filtr)
R (Reg)
L (Lub)
PresSW
Shutoff
SlowStart
FimResistFR
Oil-ProhR
MedPresFR
No Cu/ PTFE FRL
Outdrs FR
F.R.L (Related)
CompFRL
LgFRL
PrecsR
VacF/R
Clean FR
ElecPneuR
AirBoost
SpdContr
Silncr
CheckV/ other
Jnt/tube
AirUnt
PrecsCompn
Mech/ ElecPresSw
ContactSW
AirSens
PresSW Cool
AirFloSens/ Contr
WaterRtSens
TotAirSys (Total Air)
TotAirSys (Gamma)
RefrDry
DesicDry
HiPolymDry
MainFiltr
Dischrg etc
Ending

- F.R.L
- F (Filtr)
- R (Reg)
- L (Lub)
- PresSW
- Shutoff
- SlowStart
- FimResistFR
- Oil-ProhR
- MedPresFR
- No Cu/
PTFE FRL
- Outdrs FR
- F.R.L
(Related)
- CompFRL
- LgFRL
- PrecsR
- VacFR/R
- Clean FR
- ElecPneur
- AirBoost
- SpdContr
- Silncr
- CheckV/
other
- Jnt/tube
- AirUnt
- PrecsCompn
- Mech/
ElecPresSw
- ContactSW
- AirSens
- PresSW
Cool
- AirFloSens/
Contr
- WaterRtSens
- TotAirSys
(Total Air)
- TotAirSys
(Gamma)
- RefrDry
- DesicDry
- HiPolymDry
- MainFiltr
- Dischrg
etc
- Ending

Dimensions

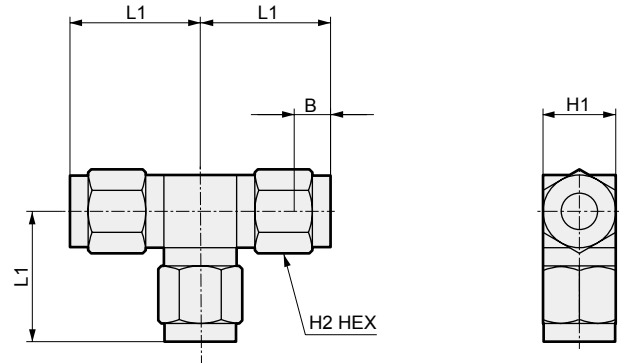
Straight
● ZJ-S□□□-0



Model No.	Compatible tube O.D. φ	L	B	Min. bore size	H1	H2	Wt. g
ZJ-S0425-0	4	28	6	1.9	10	10	15
ZJ-S0604-0	6	32	7	3.2	12	12	24
ZJ-S0805-0	8	36	7.5	4.2	14	14	36
ZJ-S0806-0		36	7.5	5.2	14	14	35
ZJ-S1065-0	10	40	8	5.9	17	17	57
ZJ-S1075-0		40	8	6.9	17	17	56
ZJ-S1008-0		40	8	7.4	17	17	55
ZJ-S1208-0	12	44	9.5	7.2	17	19	70
ZJ-S1209-0		44	9.5	8.2	17	19	67
ZJ-S1210-0		44	9.5	9.2	17	19	64

Tee
● ZJ-T□□□-0

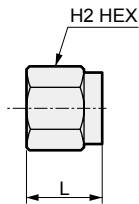
[Sales unit is 1 pc./bag]



Model No.	Compatible tube O.D. φ	L1	B	Min. bore size	H1	H2	Wt. g
ZJ-T0425-0	4	20	6	1.9	12	10	37
ZJ-T0604-0	6	21.5	7	3.4	12	12	44
ZJ-T0805-0	8	23.5	7.5	4.4	14	14	63
ZJ-T0806-0		28.5	7.5	5.4	14	14	61
ZJ-T1065-0	10	28.5	8	5.9	22	17	147
ZJ-T1075-0		28.5	8	6.9	22	17	144
ZJ-T1008-0		28.5	8	7.4	22	17	142
ZJ-T1208-0	12	30	9.5	7.2	22	19	163
ZJ-T1209-0		30	9.5	8.2	22	19	156
ZJ-T1210-0		30	9.5	9.2	22	19	151

Sleeve integrated nut

● ZJ-N□



Model No.	Compatible tube O.D. φ	L	H2	Wt. g
ZJ-N04	φ4	11	10	4
ZJ-N06	φ6	12.5	12	6
ZJ-N08	φ8	14	14	8
ZJ-N10	φ10	15.5	17	14
ZJ-N12	φ12	17	19	18