



# Rotary fitting RJF Series

● Port size: M5, Rc1/8

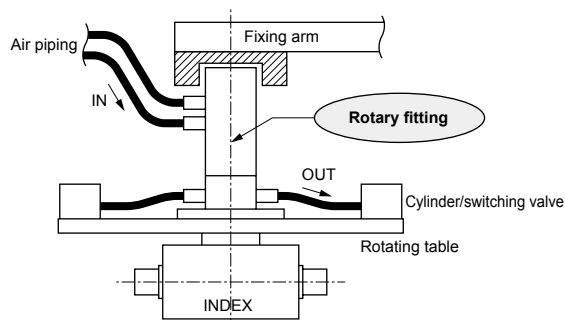


## Features

- Built-in bearing for high rigidity/low sliding resistance
- Ample lineup includes 4/6/8/12/16 circuits.
- Space saving type is available for 12/16 circuits.
- M5 and Rc 1/8 port sizes are available.  
(Number of circuits: 4/6/8)

## Applications

This fitting supplies compressed air to the air cylinder for rotary shaft parts such as indexing table, rotary table or rotary drum, and for air blowing or changeover valves.



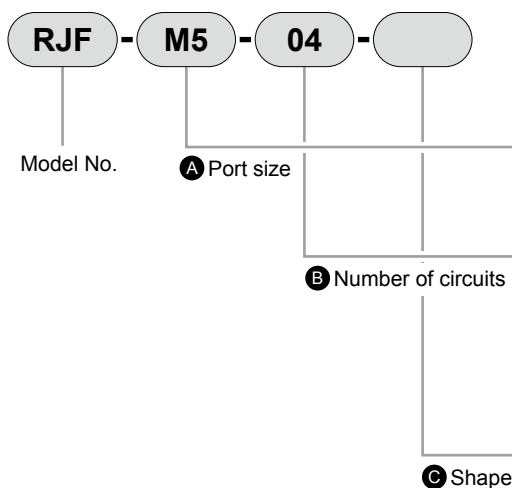
## Specifications

Descriptions	RJF-M5-04	RJF-6A-04	RJF-M5-06	RJF-6A-06	RJF-M5-08	RJF-6A-08	RJF-M5-12	RJF-M5-16	RJF-M5-12-S	RJF-M5-16-S
Working fluid	Compressed air									
Working pressure	-100 kPa (≈-15 psi, -1 bar) (*1) to 0.7 MPa (≈100 psi, 7 bar)									
Ambient temperature °C	5 (41°F) to 60 (140°F)									
Number of circuits	4		6		8		12	16	12	16
Port size	M5	Rc1/8	M5	Rc1/8	M5	Rc1/8	M5	M5	M5	M5
Tolerable rotation rate (*2) min <sup>-1</sup>	350	240	240	170	200	140	175	155	100	90
Rotation resistance N·m	0.05	0.07	0.12	0.17	0.2	0.4	0.85	1.5	0.85	1.3
Min. air port sectional area mm <sup>2</sup>	4.9	12.5	4.9	12.5	4.9	12.5	4.9	4.9	4.9	4.9
Weight Kg	0.11	0.28	0.16	0.50	0.38	0.90	0.70	1.30	0.93	1.23

\*1: Vacuum cannot be retained.

\*2: Number of rotations per minute.

## How to order



Code	Content
<b>A Port size</b>	
<b>M5</b>	M5
<b>6A *1</b>	Rc1/8
<b>B Number of circuits</b>	
<b>04</b>	4 pcs.
<b>06</b>	6 pcs.
<b>08</b>	8 pcs.
<b>12</b>	12 pcs.
<b>16</b>	16 pcs.
<b>C Shape</b>	
<b>Blank</b>	Basic
<b>S *2</b>	Space saving structure

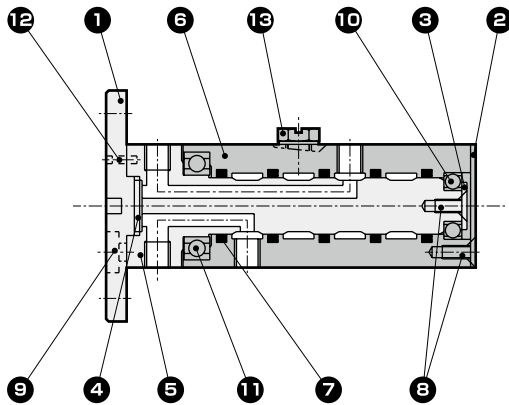
\*1: Only for 04/06/08 number of circuits.

\*2: Only for 12/16 number of circuits.

### Internal structure and parts list

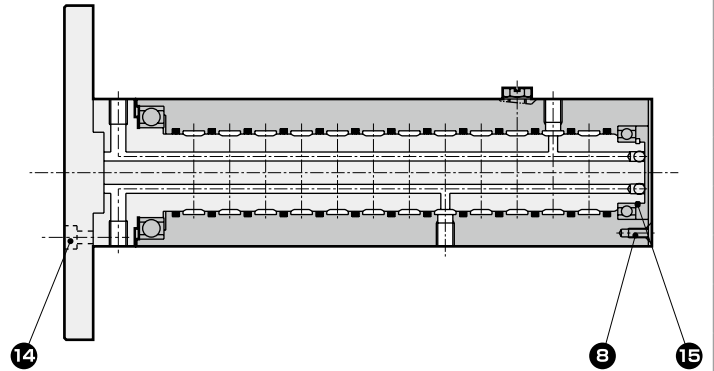
● RJF-M5-04

06  
08  
6A-04  
06  
08



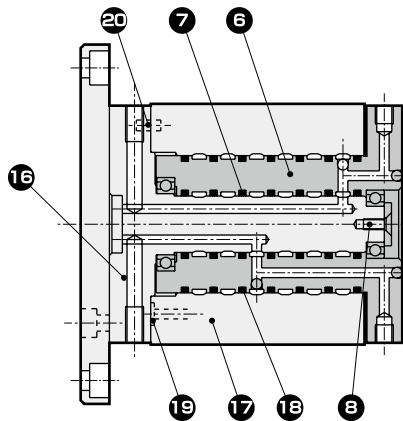
● RJF-M5-12

16



● RJF-M5-12-S

16-S



### Parts list

No.	Part name	Material	No.	Part name	Material
1	Mounting flange	Aluminum alloy	11	Single row deep groove ball bearing	Steel bearing
2	Fixed side body lid	Stainless steel	12	Parallel pin	Steel bearing
3	Bearing holder	Stainless steel	13	Plug	Copper alloy, stainless steel
4	Gasket	Nitrile rubber	14	Hexagon socket head cap screw	Stainless steel
5	Rotating side body	Aluminum alloy	15	C type snap ring	Stainless steel
6	Fixed side body	Aluminum alloy	16	Rotating side body 1	Aluminum alloy
7	Packing	Nitrile rubber	17	Rotating side body 2	Aluminum alloy
8	Cross-recessed flat head machine screw	Stainless steel	18	Packing	Nitrile rubber
9	Truss machine screw	Stainless steel	19	Gasket	Nitrile rubber
10	Single row deep groove ball bearing	Steel bearing	20	Parallel pin	Steel bearing

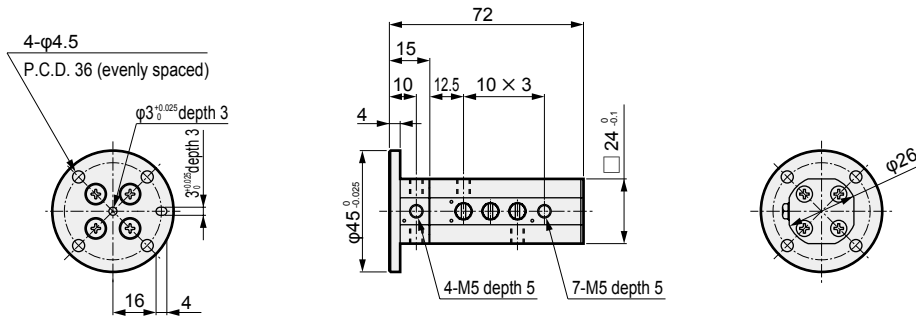
F.R.L
F (Filtr)
R (Reg)
L (Lub)
PresSW
Shutoff
SlowStart
FimResistFR
Oil-ProhR
MedPresFR
No Cu/ PTFE FRL
Outdrs FR
F.R.L (Related)
CompFRL
LgFRL
PrecsR
VacF/R
Clean FR
ElecPneuR
AirBoost
SpdContr
Silncr
CheckV/ other
Jnt/tube
AirUnt
PrecsCompn
Mech/ ElecPresSw
ContactSW
AirSens
PresSW Cool
AirFloSens/ Contr
WaterRtSens
TotAirSys (Total Air)
TotAirSys (Gamma)
RefrDry
DesicDry
HiPolymDry
MainFiltr
Dischrg etc
Ending



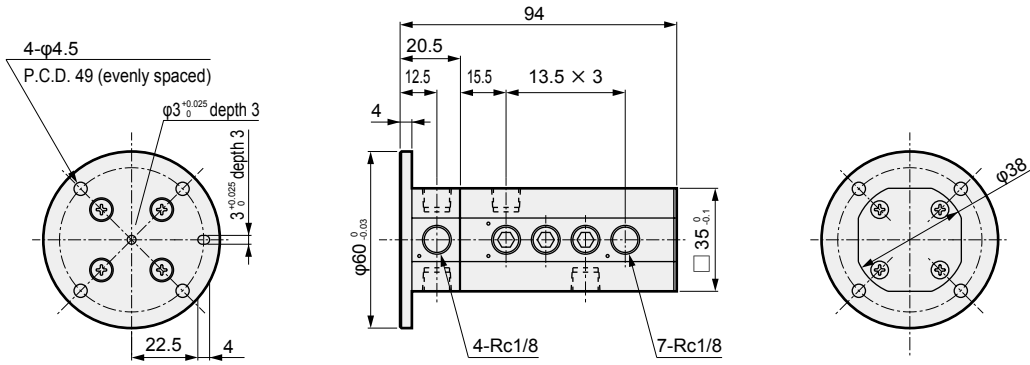
- F.R.L
- F (Filtr)
- R (Reg)
- L (Lub)
- PresSW
- Shutoff
- SlowStart
- FimResistFR
- Oil-ProhR
- MedPresFR
- No Cu/  
PTFE FRL
- Outdrs FR
- F.R.L  
(Related)
- CompFRL
- LgFRL
- PrecsR
- VacF/R
- Clean FR
- ElecPneuR
- AirBoost
- SpdContr
- Silncr
- CheckV/  
other
- Jnt/tube
- AirUnt
- PresCompn
- Mech/  
ElecPresSw
- ContactSW
- AirSens
- PresSW  
Cool
- AirFloSens/  
Contr
- WaterRtSens
- TotAirSys  
(Total Air)
- TotAirSys  
(Gamma)
- RefrDry
- DesicDry
- HiPolymDry
- MainFiltr
- Dischrg  
etc
- Ending

## Dimensions (basic)

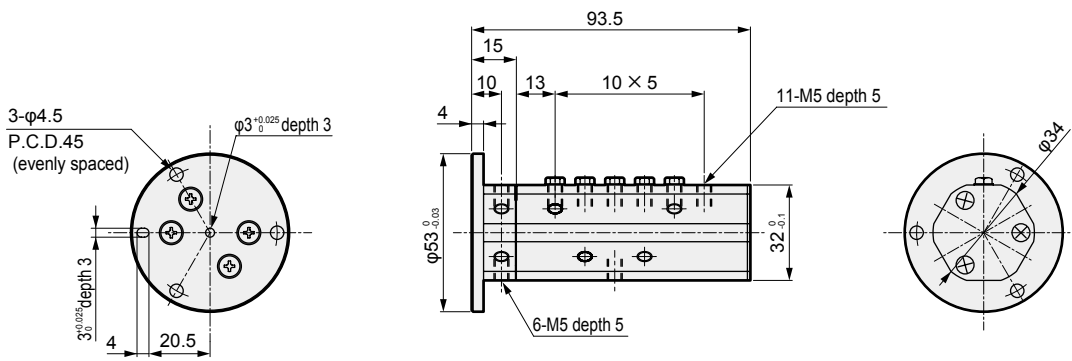
### ● RJF-M5-04



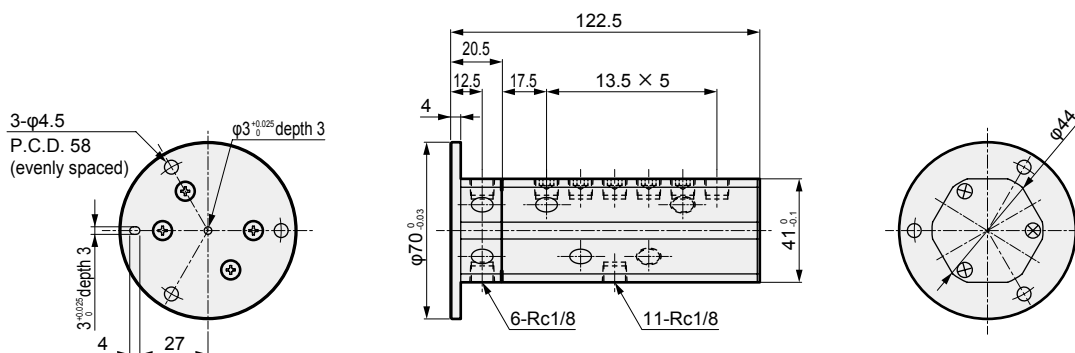
### ● RJF-6A-04



### ● RJF-M5-06



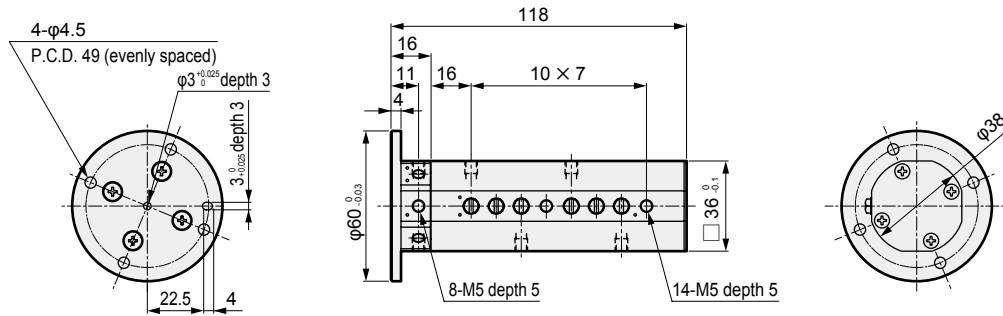
### ● RJF-6A-06



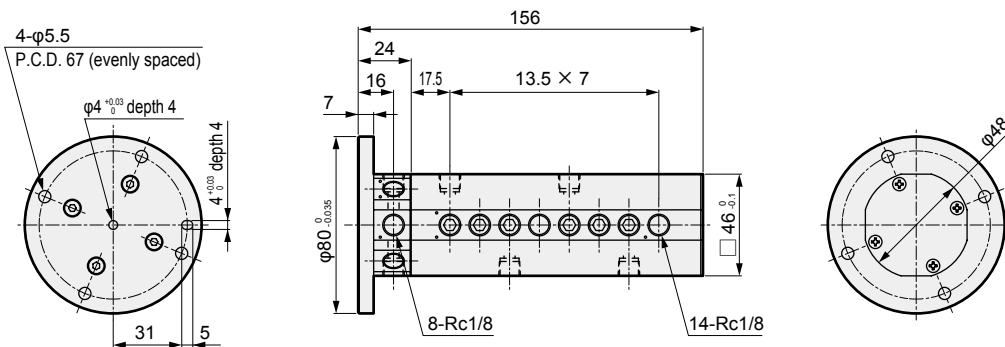
### Dimensions (basic)



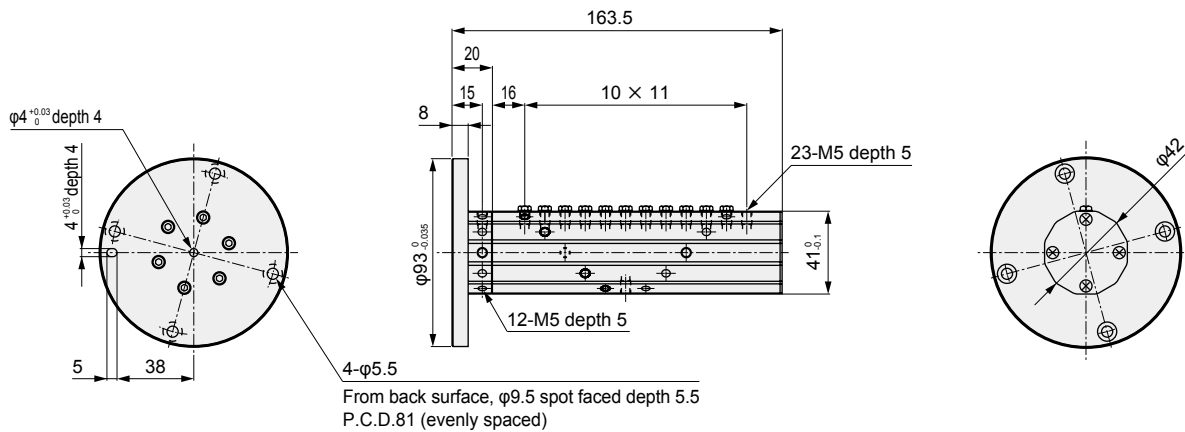
#### ● RJF-M5-08



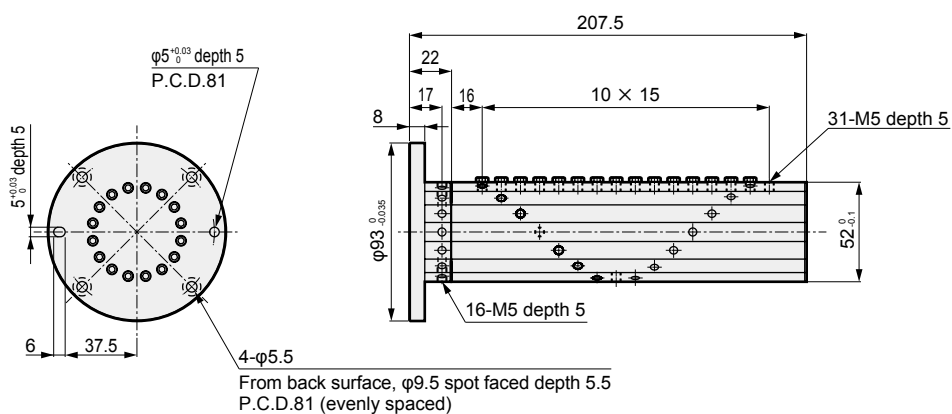
#### ● RJF-6A-08



#### ● RJF-M5-12



#### ● RJF-M5-16



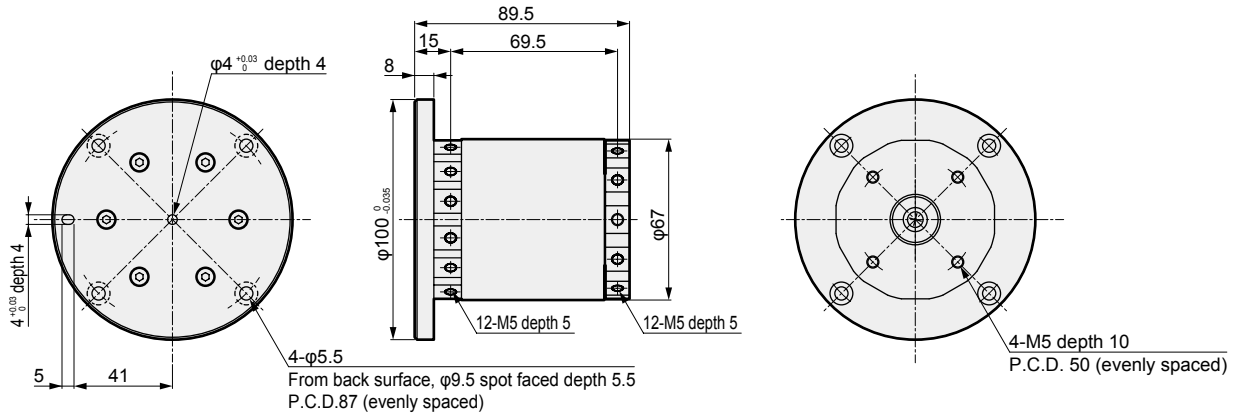
F.R.L
F (Filtr)
R (Reg)
L (Lub)
PresSW
Shutoff
SlowStart
FimResistFR
Oil-ProhR
MedPresFR
No Cu/ PTFE FRL
Outdrs FR
F.R.L (Related)
CompFRL
LgFRL
PrecsR
VacF/R
Clean FR
ElecPneuR
AirBoost
SpdContr
Silncr
CheckV/ other
Jnt/tube
AirUnt
PrecsCompn
Mech/ ElecPresSw
ContactSW
AirSens
PresSW Cool
AirFloSens/ Contr
WaterRISens
TotAirSys (Total Air)
TotAirSys (Gamma)
RefrDry
DesicDry
HiPolymDry
MainFiltr
Dischrg etc
Ending

## Dimensions (space saving structure)



- F.R.L
- F (Filtr)
- R (Reg)
- L (Lub)
- PresSW
- Shutoff
- SlowStart
- FimResistFR
- Oil-ProhrR
- MedPresFR
- No Cu/  
PTFE FRL
- Outdrs FR
- F.R.L  
(Related)
- CompFRL
- LgFRL
- PrecsR
- VacF/R
- Clean FR
- ElecPneuR
- AirBoost
- SpdContr
- Silncr
- CheckV/  
other
- Jnt/tube
- AirUnt
- PrecsCompn
- Mech/  
ElecPresSw
- ContactSW
- AirSens
- PresSW  
Cool
- AirFloSens/  
Contr
- WaterRtSens
- TotAirSys  
(Total Air)
- TotAirSys  
(Gamma)
- RefrDry
- DesicDry
- HiPolymDry
- MainFiltr
- Dischrg  
etc
- Ending

### ● RJF-M5-12-S



### ● RJF-M5-16-S

