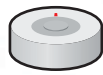


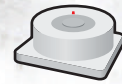
# τDISC Lineup list

Motor type	Rated rotation speed (rps)	Outside diameter (mm)	Middle hole diameter (mm)	Spec page	Dimensions page	Rated torque (N·m)											
						2.5	5	7.5	10	20	30	40	50	75			
ND110-65-FS ND110-85-FS	5	112	19	P.16	P.18												
ND140-65-FS	5	145	19	P.16	P.19	4.2/10.5 (3.4/8.5) 7.1/17.5 (5.9/14.7) Shown in parentheses are the 100 VAC specification.											
ND140-70-LS ND140-95-LS	5	145	19	P.16	P.19 P.20												
ND180-55-FS	5	180	30	P.16	P.20												
ND180-70-LS ND180-95-LS	5	180	35	P.17	P.21												
ND250-55-FS	3	254	65	P.17	P.22												
ND250-70-LS ND250-95-LS	3	260	65	P.17	P.22 P.23												
ND400-65-FS	2	408	65	P.17	P.23												
ND400-70-LS ND400-95-LS ND400-160-LS	2	408	65	P.17	P.24 P.25												
ND110-85-FS-HS	15	112	19	P.26	P.27												
ND140-70-LS-HS ND140-95-LS-HS	11	145	19	P.26	P.27 P.28												
ND180-95-LS-HS	11	180	35	P.26	P.28												
DD160-96-LS DD160-105-FS DD160-146-LS	4	160	25 60 25	P.30	P.32 P.33												
DD250-90-LS DD250-138-LS DD250-163-LS	2	265	65	P.30	P.33 P.34												
DD400-150-LS DD400-200-LS DD400-250-LS	2 2 1/1.5/2	420	65	P.31	P.35 P.36 P.37												
DD630-175-LS DD630-225-LS	1	663	150	P.31	P.37 P.38												
HD140-160-LS	6	140	30	P.39	P.40												
HD140-185-LS	5.5	140	30	P.39	P.41												
HD180-200-LS	6	180	35	P.39	P.41												

\* In addition to the series listed above, we offer the FD-s Series of the large middle hole diameter type. For the specifications and other details, refer to our FD-s Series catalog.



Shape: Flange less type  
Rated torque/Max torque (N·m)

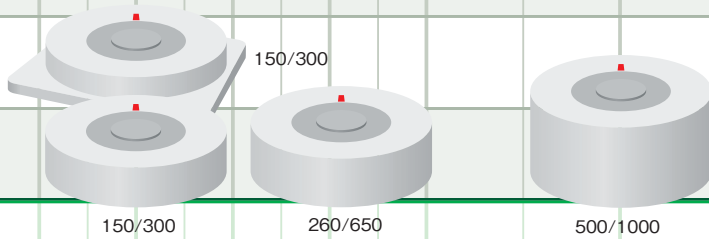


Shape: Flange type  
Rated torque/Max torque (N·m)

100    125    150    200    250    300    500    1000    1500    3000

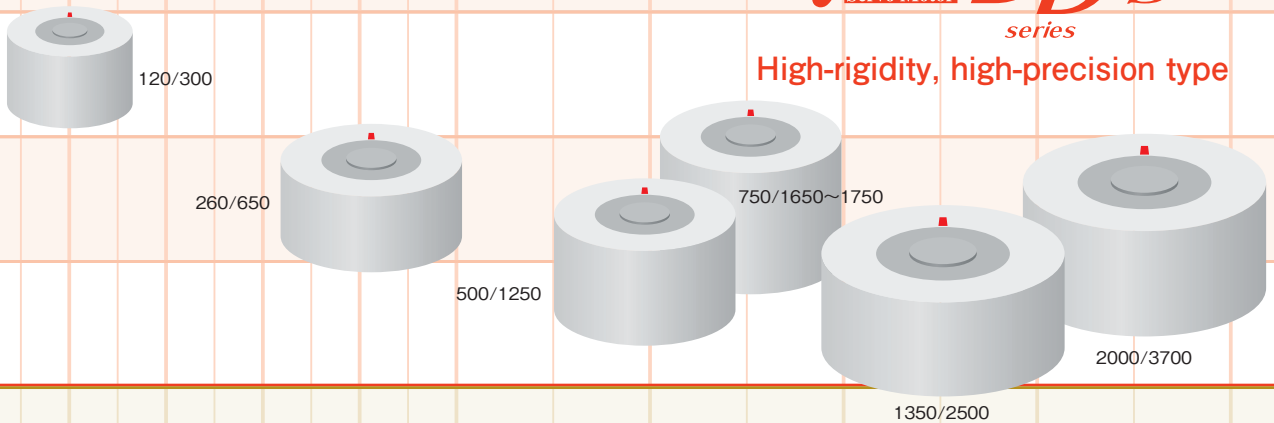
**τ DISC<sup>®</sup> Servo Motor ND-s series**

Standard type



**τ DISC<sup>®</sup> Servo Motor ND-s HS series**

High-speed rotation type



**τ DISC<sup>®</sup> Servo Motor DD-s series**

High-rigidity, high-precision type

**τ DISC<sup>®</sup> Servo Motor HD-s series**

High-response type