

Electric actuator (motorless) Slider

EBS-04LE

Straight motor mounting

● Applicable motor capacity: 50 W

How to order

EBS - 04 L E - 06 0300 N NN - M H N N

A Body size
04 Body width 44 mm

B Motor
L None

C Motor mounting direction
E Straight mounting

D Screw lead
06 6 mm
12 12 mm

E Stroke length
0050 50 mm
to (In 50 mm increments)
0500 500 mm

F Brake
N None

G Mounted motor specification
M Select the mounted motor specification from the table at right.
Y
P

H Motor capacity
H 50 W

I Origin sensor *1
N None
C Yes

J Limit sensor *1
N None
B Yes

| Manufacturer | 50 W |
|---------------------------------|------|
| Mitsubishi Electric Corporation | M |
| OMRON Corporation | M |
| Sanyo Denki Co., Ltd. | M |
| Delta Electronics Co., Ltd. | M |
| YASKAWA Electric Corporation | Y |
| Keyence Corporation | Y |
| Panasonic Corporation | P |
| Bosch Rexroth Corporation | P |

*1 Origin sensor and limit sensor are available as a set.
As it is both-or-nothing, either select "None" or "Yes" for both.

* Refer to the verso for the motor model number.

Specifications

| | | |
|---|---|----------|
| Applicable motor capacity | 50 W servo motor | |
| Drive method | Ball screw $\phi 10$ | |
| Stroke length mm | 50 to 500 | |
| Screw lead mm | 6 | 12 |
| Max. load capacity kg | Horizontal | Vertical |
| *1, *2 | 20 | 5 |
| | 12 | 2 |
| Max. speed mm/s | 300 | 600 |
| Rated thrust *1 N | 141 | 71 |
| Repeatability mm | ± 0.01 | |
| Lost motion mm | 0.1 or less | |
| Operating ambient temperature, humidity | 0 to 40°C (no freezing) 35 to 80% RH (no condensation) | |
| Storage ambient temperature, humidity | -10 to 50°C (no freezing) 35 to 80% RH (no condensation) | |
| Atmosphere | No corrosive gas, explosive gas, or dust | |

*1 Rated thrust and max. load capacity are guideline values assuming that the motor mounted will output the rated torque.

*2 The load capacity when wall mounted is the same as for horizontal installation.

Stroke length and max. speed

| Stroke length | | 50 to 500 |
|---------------|-----|-----------|
| Screw lead | | |
| 6 | 300 | |
| 12 | 600 | |

* Max. speed is when the motor mounted by the customer can output rotation speed of 3000 rpm.

Allowable overhang length

| (mm) | | | | | |
|--------------|------------|-----------|-----|-----|-----|
| Horizontal | Screw lead | Weight kg | A | B | C |
| | 6 | 5 | 800 | 160 | 225 |
| | | 10 | 570 | 70 | 100 |
| | | 20 | 250 | 30 | 40 |
| | 12 | 4 | 800 | 180 | 210 |
| | | 8 | 380 | 80 | 100 |
| | | 12 | 230 | 50 | 60 |
| Wall-mounted | Screw lead | Weight kg | A | B | C |
| | 6 | 5 | 180 | 130 | 800 |
| | | 10 | 65 | 40 | 470 |
| | | 15 | 25 | 20 | 240 |
| | 12 | 4 | 180 | 150 | 730 |
| | | 8 | 60 | 50 | 280 |
| | | 12 | 25 | 20 | 130 |
| Vertical | Screw lead | Weight kg | A | B | C |
| | 6 | 1 | 800 | - | 780 |
| | | 3 | 240 | - | 230 |
| | | 5 | 120 | - | 120 |
| | 12 | 1 | 690 | - | 630 |
| | | 1.5 | 440 | - | 410 |
| | | 2 | 320 | - | 300 |

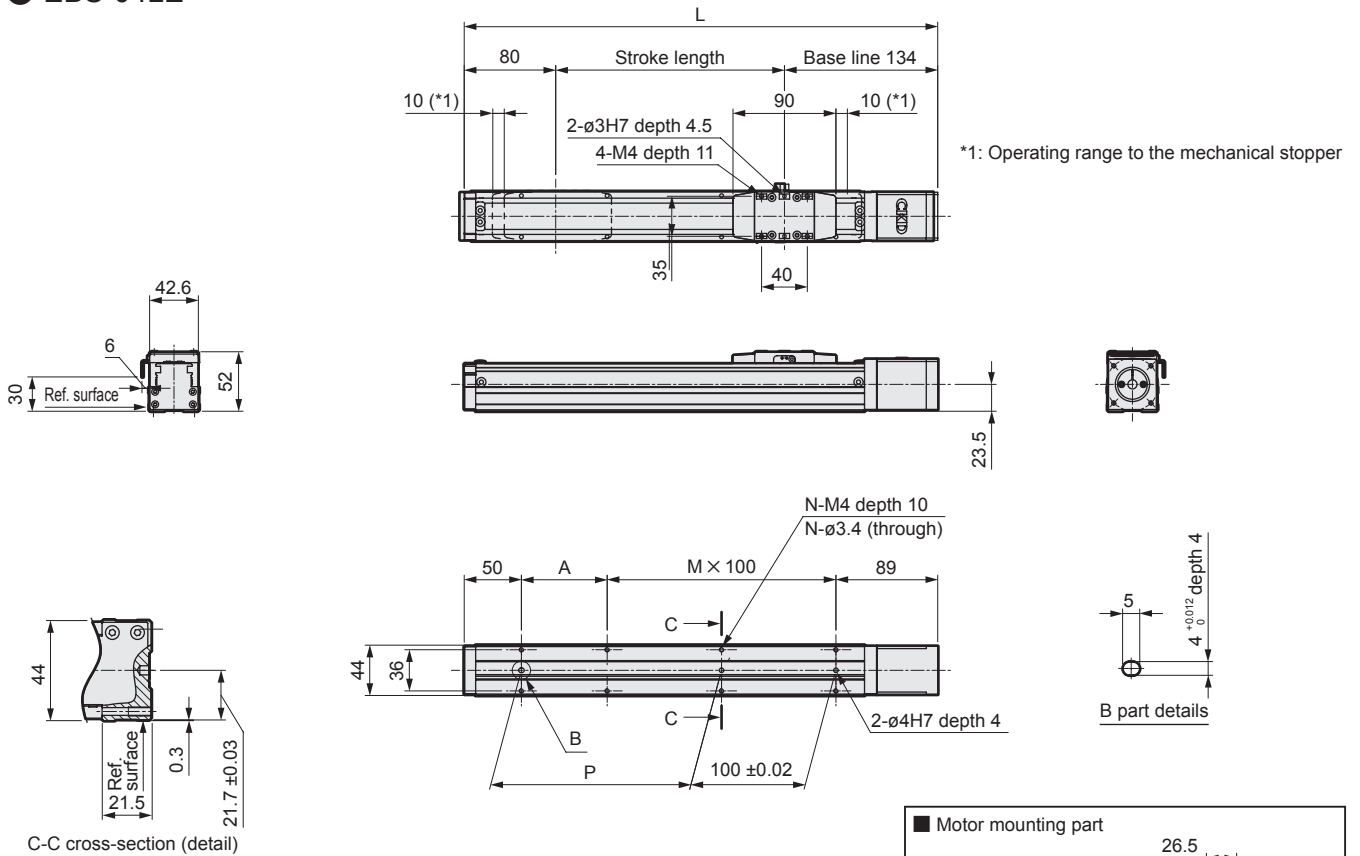
* Overhang length where the operating life is 5,000 km.

* Stroke: 350 mm, acceleration/deceleration: 0.3 G, motor rotation speed: 3,000 rpm, direction: single direction

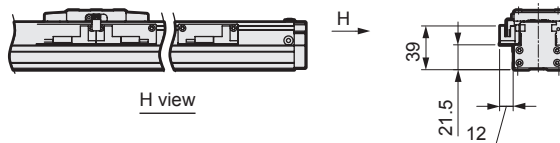
* Refer to page 7 for details.

Dimensions Straight motor mounting

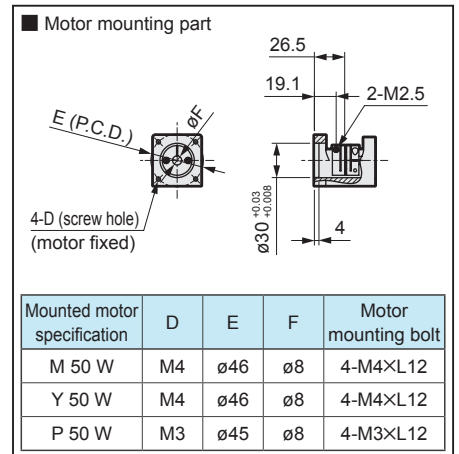
● EBS-04LE



■ With origin sensor and limit sensor mounted



* When the stroke is 50 mm, sensors must be attached on both sides. Sensor dogs are also mounted on both sides.



| Stroke code | 0050 | 0100 | 0150 | 0200 | 0250 | 0300 | 0350 | 0400 | 0450 | 0500 |
|--------------------|------|------|------|------|------|------|------|------|------|------|
| Stroke length (mm) | 50 | 100 | 150 | 200 | 250 | 300 | 350 | 400 | 450 | 500 |
| L | 264 | 314 | 364 | 414 | 464 | 514 | 564 | 614 | 664 | 714 |
| A | 25 | 75 | 25 | 75 | 25 | 75 | 25 | 75 | 25 | 75 |
| M | 1 | 1 | 2 | 2 | 3 | 3 | 4 | 4 | 5 | 5 |
| N | 6 | 6 | 8 | 8 | 10 | 10 | 12 | 12 | 14 | 14 |
| P | 25 | 75 | 125 | 175 | 225 | 275 | 325 | 375 | 425 | 475 |
| Weight (kg) | 1.0 | 1.1 | 1.3 | 1.5 | 1.7 | 1.8 | 2.0 | 2.2 | 2.4 | 2.6 |

List of attachments

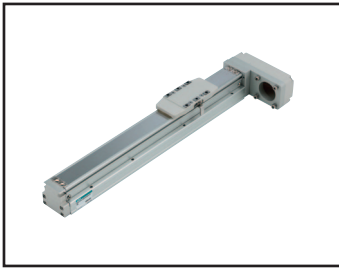
[Motor mounting parts]

| Mounted motor specification | Coupling | Motor mounting bolt | |
|-----------------------------|-----------------------|---------------------|----------|
| | | Size | Quantity |
| M | Assembled at shipment | M4 | 4 |
| Y | | M4 | 4 |
| P | | M3 | 4 |

[Origin sensor, limit sensor]

| Sensor | | |
|-------------------|----------|-------------------|
| Manufacturer | Model | Quantity included |
| OMRON Corporation | EE-SX674 | 3 |

* Refer to catalog No. CB-055A for sensor specifications.



Electric actuator (motorless) Slider

EBS-04L*

Motor mounting on side/bottom

● Applicable motor capacity: 50 W

How to order

EBS - 04 L R - 06 0300 N NN - M H N N

A Body size
04 Body width 44 mm

B Motor
L None

C Motor mounting direction
R Right-side mounting
D Bottom mounting
L Left-side mounting

D Screw lead
06 6 mm
12 12 mm

E Stroke length
0050 50 mm
to (In 50 mm increments)
0500 500 mm

F Brake
N None

G Mounted motor specification
M Select the mounted motor specification from the table at right.
Y
P

H Motor capacity
H 50 W

I Origin sensor *1
N None
C Yes

J Limit sensor *1
N None
B Yes

| Manufacturer | 50 W |
|---------------------------------|------|
| Mitsubishi Electric Corporation | M |
| OMRON Corporation | M |
| Sanyo Denki Co., Ltd. | M |
| Delta Electronics Co., Ltd. | M |
| YASKAWA Electric Corporation | Y |
| Keyence Corporation | Y |
| Panasonic Corporation | P |
| Bosch Rexroth Corporation | P |

*1 Origin sensor and limit sensor are available as a set.
As it is both-or-nothing, either select "None" or "Yes" for both.

* Refer to the verso for the motor model number.

Specifications

| | | |
|---|--|-----|
| Applicable motor capacity | 50 W servo motor | |
| Drive method | Ball screw $\phi 10$ | |
| Stroke length mm | 50 to 500 | |
| Screw lead mm | 6 | 12 |
| Max. load capacity kg *1, *2 | Horizontal | 20 |
| | Vertical | 5 |
| Max. speed mm/s | 300 | 600 |
| Rated thrust *1 N | 141 | 71 |
| Repeatability mm | ± 0.01 | |
| Lost motion mm | 0.1 or less | |
| Operating ambient temperature, humidity | 0 to 40°C (no freezing) | |
| | 35 to 80% RH (no condensation) | |
| Storage ambient temperature, humidity | -10 to 50°C (no freezing) | |
| | 35 to 80% RH (no condensation) | |
| Atmosphere | No corrosive gas, explosive gas, or dust | |

*1 Rated thrust and max. load capacity are guideline values assuming that the motor mounted will output the rated torque.

*2 The load capacity when wall mounted is the same as for horizontal installation.

Stroke length and max. speed

| Stroke length | | (mm/s) |
|---------------|-----------|--------|
| Screw lead | 50 to 600 | 300 |
| | | 600 |
| | | 600 |

* Max. speed is when the motor mounted by the customer can output rotation speed of 3000 rpm.

Allowable overhang length

| | | (mm) | | | |
|--------------|------------|-----------|-----|-----|-----|
| Horizontal | Screw lead | Weight kg | A | B | C |
| | 6 | 5 | 800 | 160 | 225 |
| | | 10 | 570 | 70 | 100 |
| | | 20 | 250 | 30 | 40 |
| | 12 | 4 | 800 | 180 | 210 |
| | | 8 | 380 | 80 | 100 |
| | | 12 | 230 | 50 | 60 |
| Wall-mounted | Screw lead | Weight kg | A | B | C |
| | 6 | 5 | 180 | 130 | 800 |
| | | 10 | 65 | 40 | 470 |
| | | 15 | 25 | 20 | 240 |
| | 12 | 4 | 180 | 150 | 730 |
| | | 8 | 60 | 50 | 280 |
| | | 12 | 25 | 20 | 130 |
| Vertical | Screw lead | Weight kg | A | B | C |
| | 6 | 1 | 800 | - | 780 |
| | | 3 | 240 | - | 230 |
| | | 5 | 120 | - | 120 |
| | 12 | 1 | 690 | - | 630 |
| | | 1.5 | 440 | - | 410 |
| | | 2 | 320 | - | 300 |

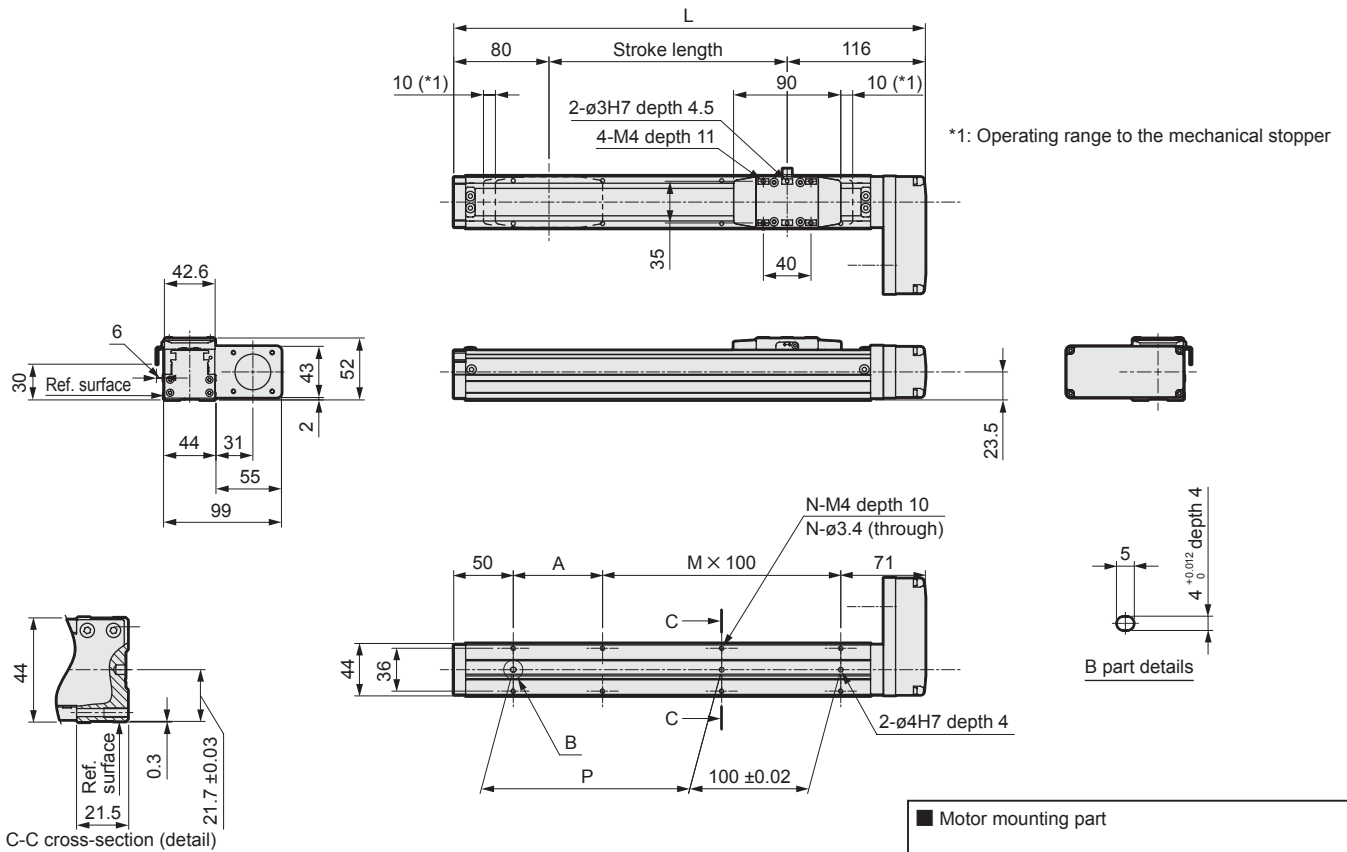
* Overhang length where the operating life is 5,000 km.

* Stroke: 350 mm, acceleration/deceleration: 0.3 G, motor rotation speed: 3,000 rpm, direction: single direction

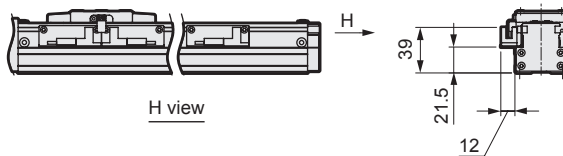
* Refer to page 7 for details.

Dimensions Motor right-side mounting

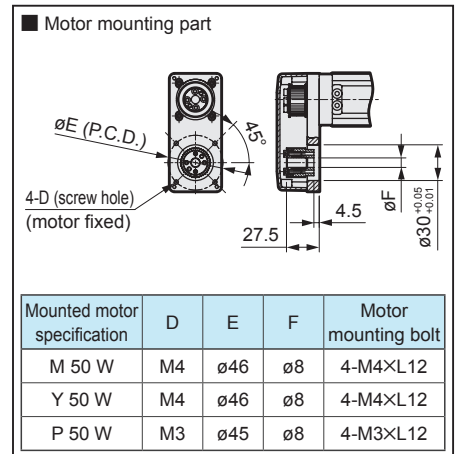
● EBS-04LR



■ With origin sensor and limit sensor mounted



* When the stroke is 50 mm, sensors must be attached on both sides. Sensor dogs are also mounted on both sides.



| Stroke code | 0050 | 0100 | 0150 | 0200 | 0250 | 0300 | 0350 | 0400 | 0450 | 0500 |
|--------------------|------|------|------|------|------|------|------|------|------|------|
| Stroke length (mm) | 50 | 100 | 150 | 200 | 250 | 300 | 350 | 400 | 450 | 500 |
| L | 246 | 296 | 346 | 396 | 446 | 496 | 546 | 596 | 646 | 696 |
| A | 25 | 75 | 25 | 75 | 25 | 75 | 25 | 75 | 25 | 75 |
| M | 1 | 1 | 2 | 2 | 3 | 3 | 4 | 4 | 5 | 5 |
| N | 6 | 6 | 8 | 8 | 10 | 10 | 12 | 12 | 14 | 14 |
| P | 25 | 75 | 125 | 175 | 225 | 275 | 325 | 375 | 425 | 475 |
| Weight (kg) | 1.0 | 1.2 | 1.4 | 1.7 | 1.8 | 1.9 | 2.1 | 2.3 | 2.5 | 2.7 |

List of attachments

[Motor mounting parts]

| Mounted motor specification | Timing belt, pulley | Motor mounting bolt | |
|-----------------------------|----------------------|---------------------|----------|
| | | Size | Quantity |
| M | Attached at shipment | M4 | 4 |
| Y | | M4 | 4 |
| P | | M3 | 4 |

[Origin sensor, limit sensor]

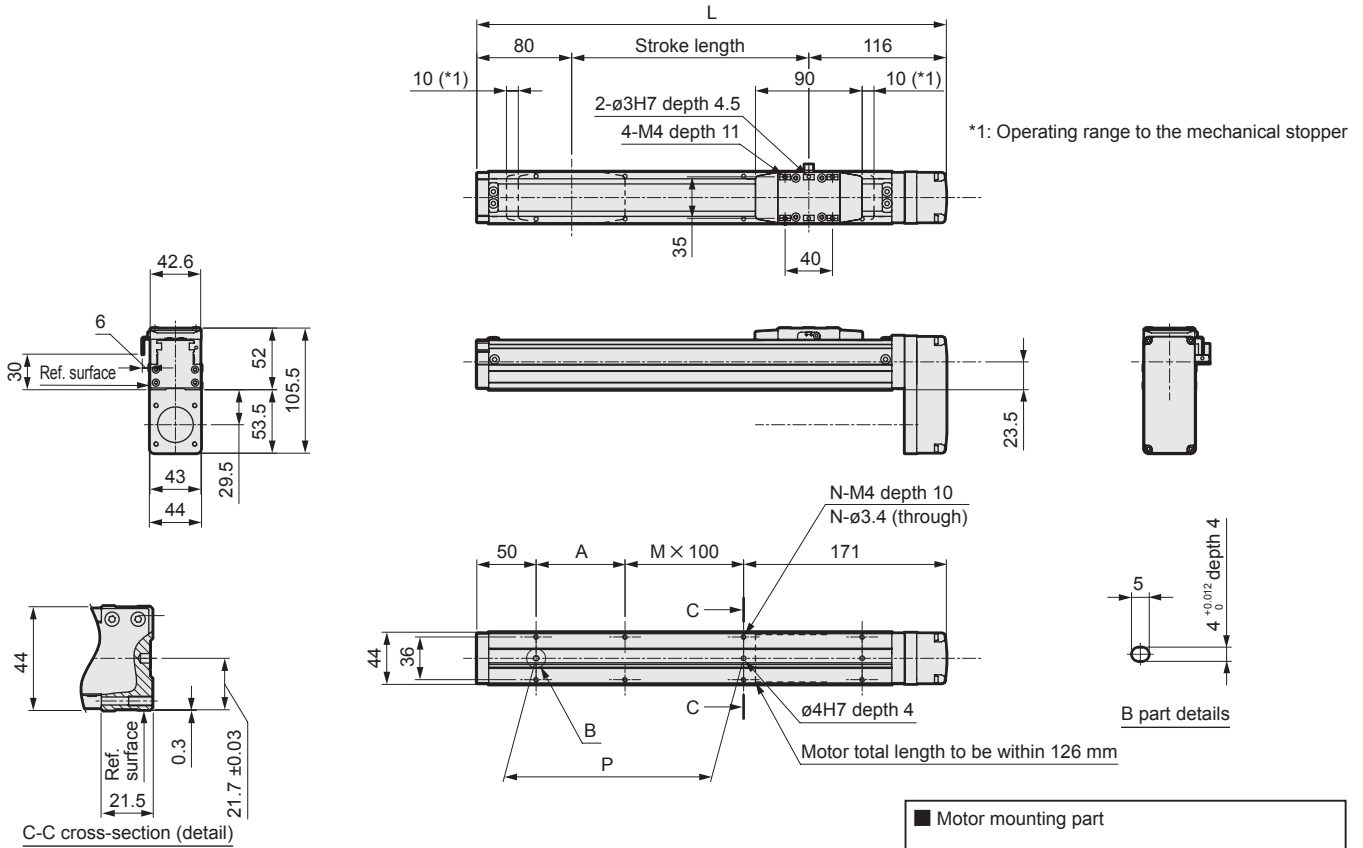
| Sensor | | |
|-------------------|----------|-------------------|
| Manufacturer | Model | Quantity included |
| OMRON Corporation | EE-SX674 | 3 |

* Refer to catalog No. CB-055A for sensor specifications.

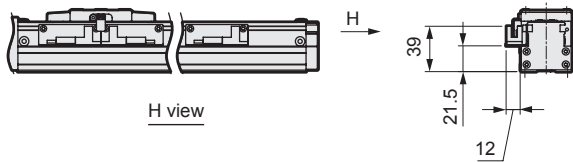
EBS-04L*

Dimensions Motor bottom mounting

● EBS-04LD



■ With origin sensor and limit sensor mounted



* When the stroke is 50 mm, sensors must be attached on both sides. Sensor dogs are also mounted on both sides.

■ Motor mounting part

| Mounted motor specification | D | E | F | Motor mounting bolt |
|-----------------------------|----|-----|----|---------------------|
| M 50 W | M4 | ø46 | ø8 | 4-M4×L12 |
| Y 50 W | M4 | ø46 | ø8 | 4-M4×L12 |
| P 50 W | M3 | ø45 | ø8 | 4-M3×L12 |

| Stroke code | 0050 | 0100 | 0150 | 0200 | 0250 | 0300 | 0350 | 0400 | 0450 | 0500 |
|--------------------|------|------|------|------|------|------|------|------|------|------|
| Stroke length (mm) | 50 | 100 | 150 | 200 | 250 | 300 | 350 | 400 | 450 | 500 |
| L | 246 | 296 | 346 | 396 | 446 | 496 | 546 | 596 | 646 | 696 |
| A | 25 | 75 | 25 | 75 | 25 | 75 | 25 | 75 | 25 | 75 |
| M | 0 | 0 | 1 | 1 | 2 | 2 | 3 | 3 | 4 | 4 |
| N | 4 | 4 | 6 | 6 | 8 | 8 | 10 | 10 | 12 | 12 |
| P | 25 | 75 | 125 | 175 | 225 | 275 | 325 | 375 | 425 | 475 |
| Weight (kg) | 1.0 | 1.2 | 1.4 | 1.7 | 1.8 | 1.9 | 2.1 | 2.3 | 2.5 | 2.7 |

List of attachments

[Motor mounting parts]

| Mounted motor specification | Timing belt, pulley | Motor mounting bolt | |
|-----------------------------|----------------------|---------------------|----------|
| | | Size | Quantity |
| M | Attached at shipment | M4 | 4 |
| Y | | M4 | 4 |
| P | | M3 | 4 |

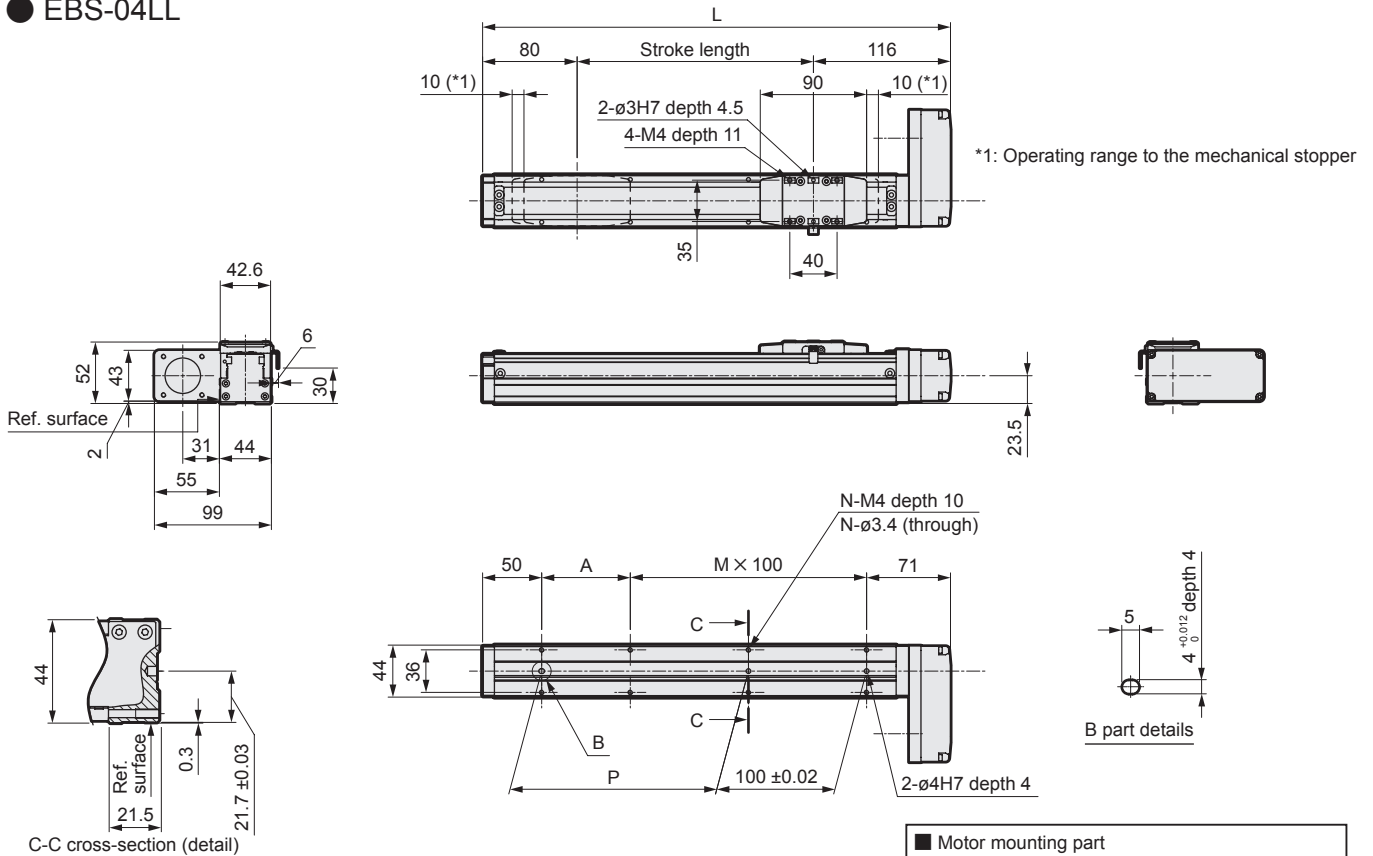
[Origin sensor, limit sensor]

| Sensor | | |
|-------------------|----------|-------------------|
| Manufacturer | Model | Quantity included |
| OMRON Corporation | EE-SX674 | 3 |

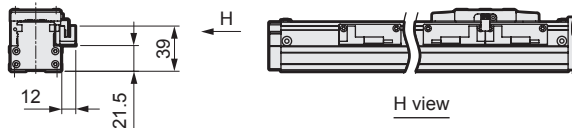
* Refer to catalog No. CB-055A for sensor specifications.

Dimensions Motor left-side mounting

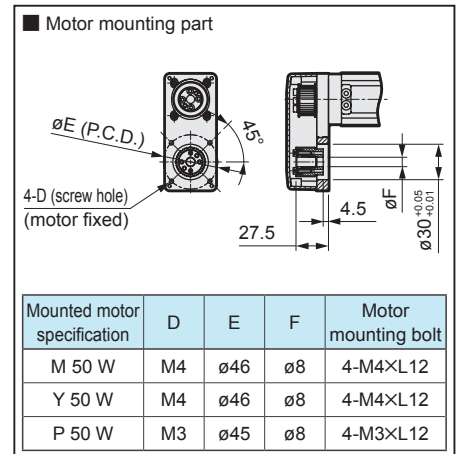
● EBS-04LL



■ With origin sensor and limit sensor mounted



* When the stroke is 50 mm, sensors must be attached on both sides. Sensor dogs are also mounted on both sides.



| Stroke code | 0050 | 0100 | 0150 | 0200 | 0250 | 0300 | 0350 | 0400 | 0450 | 0500 |
|--------------------|------|------|------|------|------|------|------|------|------|------|
| Stroke length (mm) | 50 | 100 | 150 | 200 | 250 | 300 | 350 | 400 | 450 | 500 |
| L | 246 | 296 | 346 | 396 | 446 | 496 | 546 | 596 | 646 | 696 |
| A | 25 | 75 | 25 | 75 | 25 | 75 | 25 | 75 | 25 | 75 |
| M | 1 | 1 | 2 | 2 | 3 | 3 | 4 | 4 | 5 | 5 |
| N | 6 | 6 | 8 | 8 | 10 | 10 | 12 | 12 | 14 | 14 |
| P | 25 | 75 | 125 | 175 | 225 | 275 | 325 | 375 | 425 | 475 |
| Weight (kg) | 1.0 | 1.2 | 1.4 | 1.7 | 1.8 | 1.9 | 2.1 | 2.3 | 2.5 | 2.7 |

List of attachments

[Motor mounting parts]

| Mounted motor specification | Timing belt, pulley | Motor mounting bolt | |
|-----------------------------|----------------------|---------------------|----------|
| | | Size | Quantity |
| M | Attached at shipment | M4 | 4 |
| Y | | M4 | 4 |
| P | | M3 | 4 |

[Origin sensor, limit sensor]

| Sensor | | |
|-------------------|----------|-------------------|
| Manufacturer | Model | Quantity included |
| OMRON Corporation | EE-SX674 | 3 |

* Refer to catalog No. CB-055A for sensor specifications.