

# Large bore size valve for chemical liquids

Supports large bore size 1.5" PFA tube  
Air operated valve/manual valve

RoHS

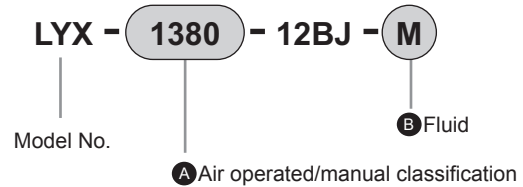
Export controlled items

## Specifications

Descriptions	LYX	
Working fluid	Chemical liquid, pure water (*1)	
Fluid temperature °C	10 to 35	
Proof pressure MPa	0.8	
Working pressure (A→B) MPa	0 to 0.4	
Working pressure (B→A) MPa	0 to 0.4	
Valve seat leakage cm <sup>3</sup> /min	0 (water pressure)	
Back pressure MPa	0 to 0.4	
Ambient temperature °C	5 to 35	
Frequency	4 times/min. or less	
Mounting orientation	Unrestricted	
Connection	O.D. 1 1/2" Super 300 Pillar fitting P Series 1 1/2" x 1 21/64" tube connection	
Orifice size	ø40	
Cv	24	
Operating section	Operating pressure MPa	0.5 to 0.6
	Operating port	Rc1/8

\*1: Check the compatibility of product structural materials, working fluids and atmosphere.

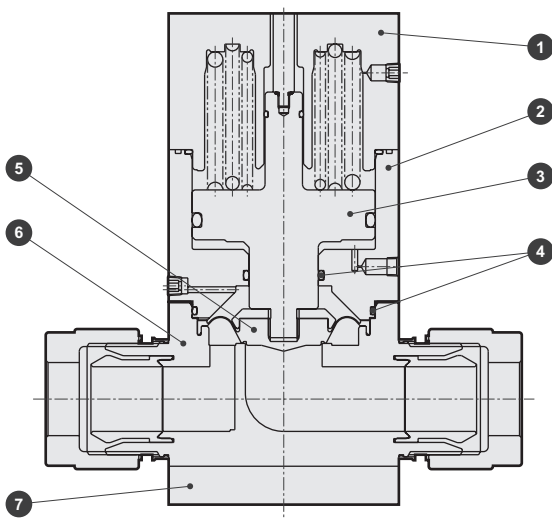
## How to order



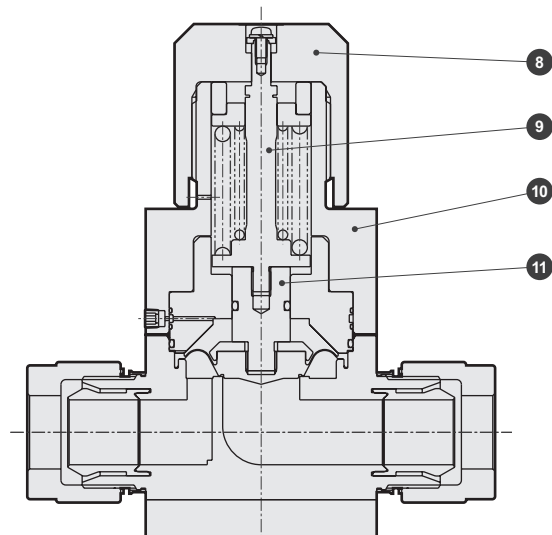
Code	Content
<b>A Air operated/manual classification</b>	
1380	Air operated valve
1381	Manual valve
<b>B Fluid</b>	
Blank	Standard
M	For ammonia

## Internal structure and parts list

●LYX-1380



●LYX-1381



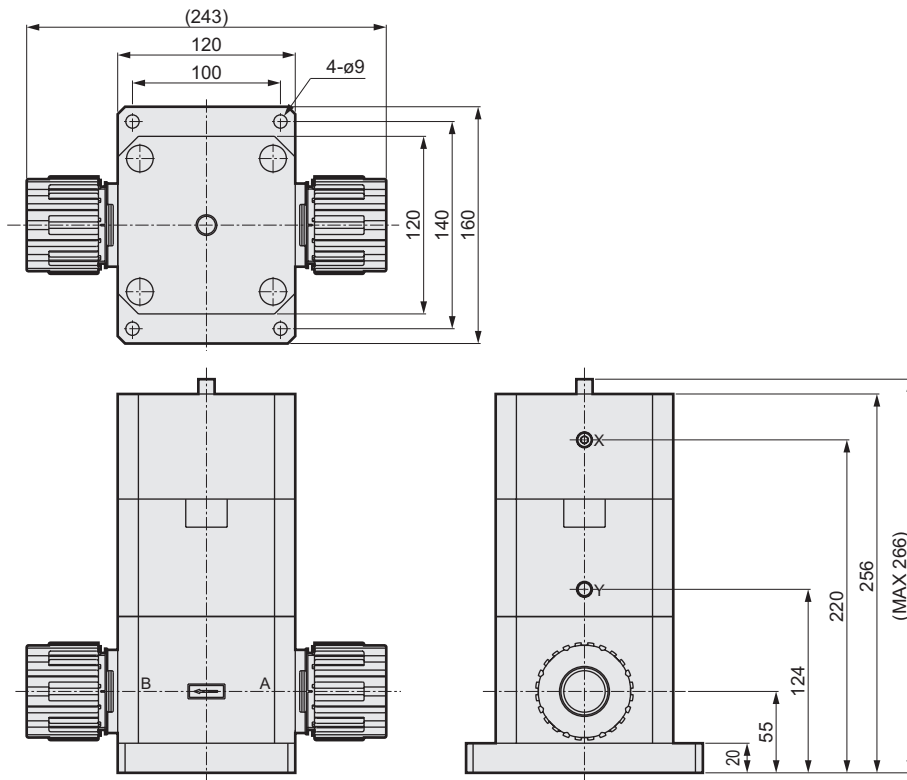
No.	Part name	Material (by fluid code)		No.	Part name	Material (by fluid code)	
		Standard	M			Standard	M
1	Cover	PP		7	Mounting plate	PP	
2	Cylinder	PP		8	Knob	PE	
3	Piston rod	PP		9	Shaft	SUS304 (with fluoro resin coating)	
4	O-ring	FKM	EPDM	10	Cover	PP	
5	Diaphragm	PTFE		11	Rod	PP	
6	Body	PTFE					

The material and structure may vary depending on the model number. Contact CKD for details.

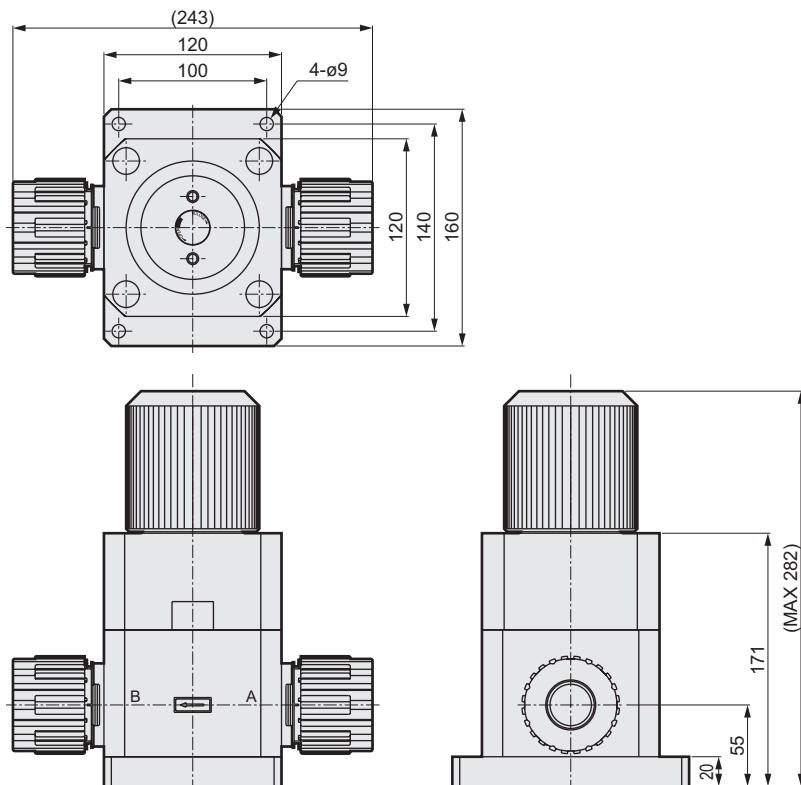
Always read the precautions on Intro Pages 7 to 16 before use.

## Dimensions

● Air operated valve



● Manual valve



AMZ-3R
AMD-3R
AMD-3K
AMDZ
AMDO
AMDO-2
AMD <sup>3</sup> / <sub>2</sub>
AMD <sup>3</sup> / <sub>2</sub> -2
AMD <sup>3</sup> / <sub>2</sub> -2 SUS 304
AMD-1H
AMD-1M
AMG203R
AMG03R
AMG03K
AMGZ0
AMG-02
GAMDZ-3R
GAMDO-3R
GAMDO-3K
GAMDO-2A
GAMDO-2
High pressure specification
AMD characteristics
MMD-02
MMD-0H
MMD-0M
GMMD-02
MMD-0
TMD-02
FMD00
MNV
AMS
AMDS
Fine regulator
KML
Others
Related