



Fine regulator (pilot operated)

PMP²02 Series

A regulator designed to adjust the pressure fluctuation of chemical liquids and pure water supply parts for greater stability, using pilot air control.



Export controlled items

* Target: PMP402 (*4)

Specifications

Descriptions	PMP202	PMP402
Working fluid	Pure water, chemical liquids (*2)	Pure water (*3)
Fluid temperature °C	10 to 60	10 to 90
Proof pressure MPa	0.75	1
Max. working pressure MPa	0.5	0.5
Set pressure MPa	0.02 to 0.3	0.07 to 0.4
Operating pressure MPa	0 to 0.4	0 to 0.45
Recommended flow rate ℓ/min	0.2 to 5 (*5)	2 to 20
Operating port	Rc1/8	Rc1/8
Ambient temperature °C	10 to 60	10 to 60
Mounting orientation	Unrestricted	Unrestricted
Connection	O.D. ø6 tube connection (integrated fitting), O.D. 1/4" tube connection (integrated fitting), O.D. ø10 tube connection (integrated fitting), O.D. 3/8" tube connection (integrated fitting)	O.D. 3/4" tube connection (integrated fitting) (O.D. 1" and O.D. 1/2" options available)

*1: Non-relief

*2: Check the compatibility of product structural materials, working fluids and atmosphere. (Refer to the compatibility check list on Intro Page 15.)

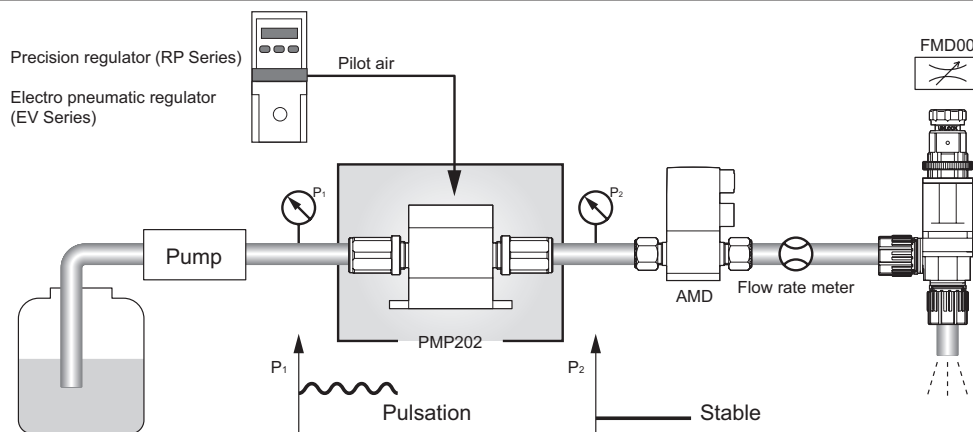
*3: Contact CKD when using a chemical liquid.

*4: Excludes O.D. ø12 and 1/2" tube connection.

*5: For ODø 10 and 3/8" tube connection.

0.2 to 2 ℓ/min for O.D.ø6 and 1/4" tube connection.

Applications

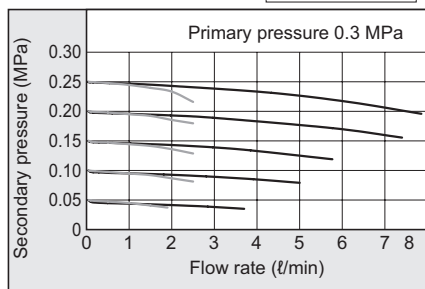


Always read the precautions on Intro Pages 7 to 16 before use.

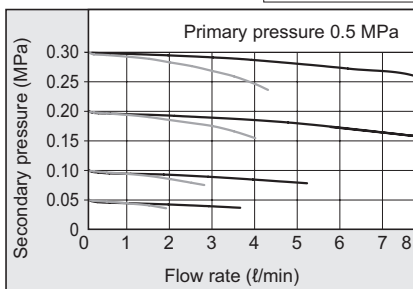
Flow characteristics/pressure characteristics

PMP202

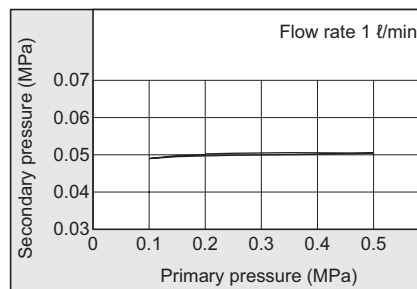
Flow characteristics 1 (water) — OD ϕ 10,3/8"
— OD ϕ 6,1/4"



Flow characteristics 2 (water) — OD ϕ 10,3/8"
— OD ϕ 6,1/4"

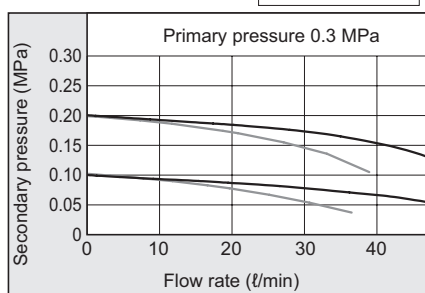


Pressure characteristics (water)

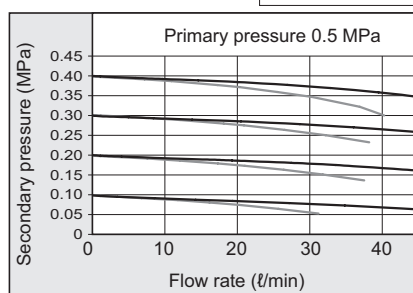


PMP402

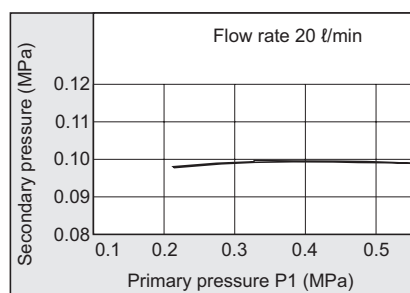
Flow characteristics 1 (water) — OD3/4",OD1"
— OD1/2"



Flow characteristics 2 (water) — OD3/4",OD1"
— OD1/2"



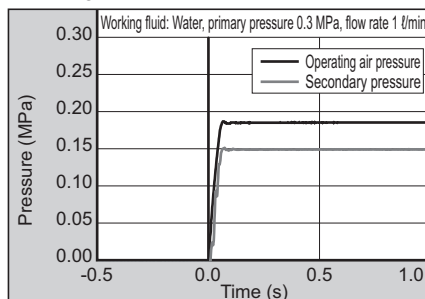
Pressure characteristics (water)



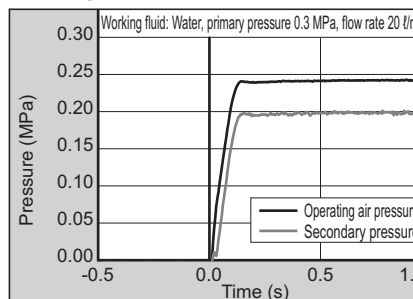
Reference data

Responsiveness Follows the secondary side pressure for operating air

PMP202



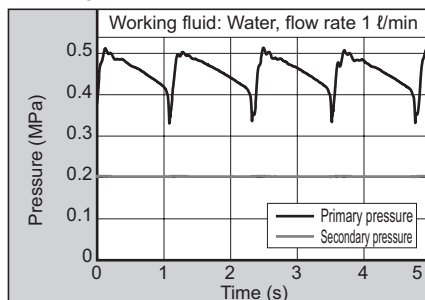
PMP402



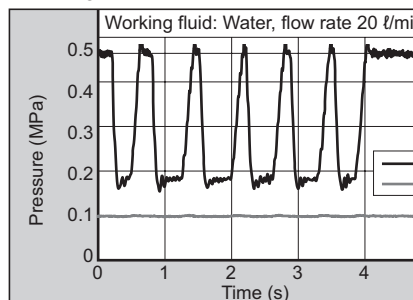
Reference data

Pulsation absorption Secondary pressure stability against primary pressure pulsation

PMP202



PMP402

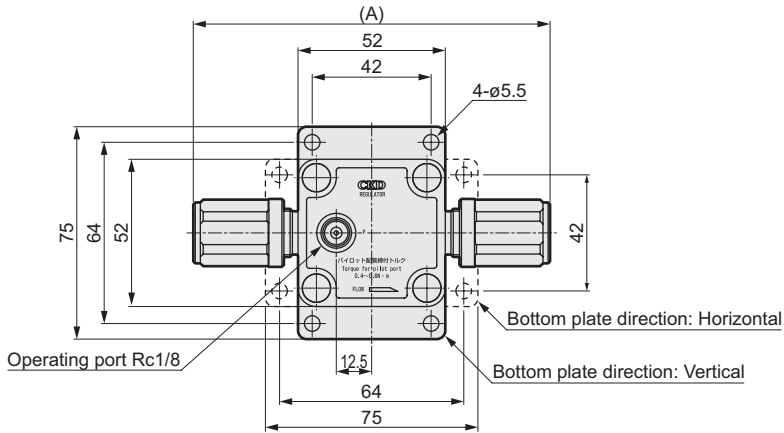


Usage methods

- Set the temperature, pressure, flow rate and other use conditions within the specification range of the product.
- If the product will be out of use for long periods, stop the supply pressure on the primary side.
- This product is a non-relief type, and if used with the secondary side closed, it may retain the high pressure generated by water hammer, etc.
- Do not use as a shut-off valve.

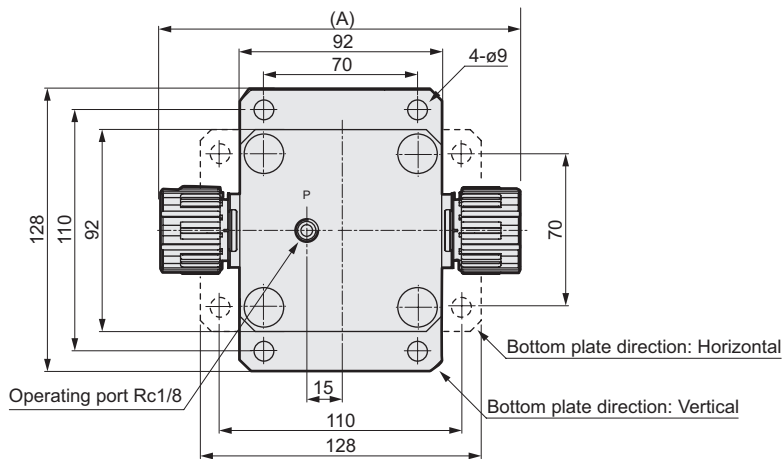
Dimensions

● PMP202- *1



Dimensions	
*1 (Connection model No.)	A
6UP	86
8BUP	86
6UR	112
8BUR	114
10UP	102
10BUP	102
10UR	126
10BUR	130

● PMP402- *1 - *2 N



Dimensions	
*1 (Connection model No.)	A
12UP/15BUP	150
20BUP	164
25UP/25BUP	178

AMDZ3R
AMD03R
AMD03K
AMDZ
AMD0
AMD02
AMD²2
AMD²2
SUS 304
AMD²2
AMD1H
AMD1M
AMD03R
AMG03R
AMG00
AMGZ0
AMG02
GAMDZ3R
GAMD03R
GAMD03K
GAMD02A
GAMD²2
High
pressure
specification
AMD
Flow
characteristics
MMD02
MMD0H
MMD0M
GMMD02
MMD0
TMD02
FMD00
MNV
AMS
AMDS
Fine
regulator
KML
Others
Related