

Air operated valve for high vacuum

AVB21-8T Series


- NC Molded bellows seal 1/4" tube

AVP21-8T Series

- NC Double O-ring seal 1/4" tube



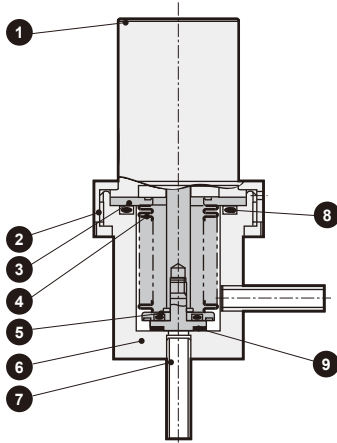
Specifications

Descriptions	AVB21-8T	AVP21-8T
Working fluid	Vacuum and inert gas	
Working pressure Pa (abs)	1.3 x 10 ⁻⁶ to 2.5 x 10 ⁻⁵	
Max. working differential pressure MPa	0.25	
Valve seat leakage Pa·m ³ /s (He)	1.3 x 10 ⁻⁹ or less	
External leakage Pa·m ³ /s (He)	1.3 x 10 ⁻⁹ or less	
Proof pressure MPa	0.3	
Fluid temperature °C	5 to 60	
Ambient temperature °C	0 to 60 (no freezing)	
Orifice size mm	5	
Stroke length mm	3	
Conductance *1 ℓ/s	-	
Connection	1/4" tube	
Operating pressure MPa	0.3 to 0.5	
Weight kg	0.25	
JIS symbol	● NC 	

*1: The conductance value is the theoretical calculation value in the molecular region, and not the actual measured value.

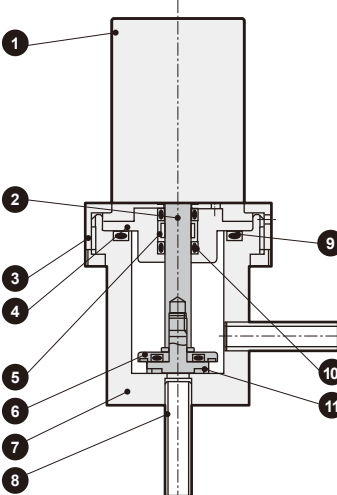
Internal structure and parts list

● AVB 21-8T (NC)



No.	Part name	Material
①	Cylinder	
②	Ring	C3604
③	Bellows ring	SUS304
④	Bellows	SUS316L
⑤	Valve disc B	SUS304
⑥	Body	SUS304
⑦	Pipe	SUS304
⑧	O-ring	FKM
⑨	Valve disc A	FKM/SUS 304

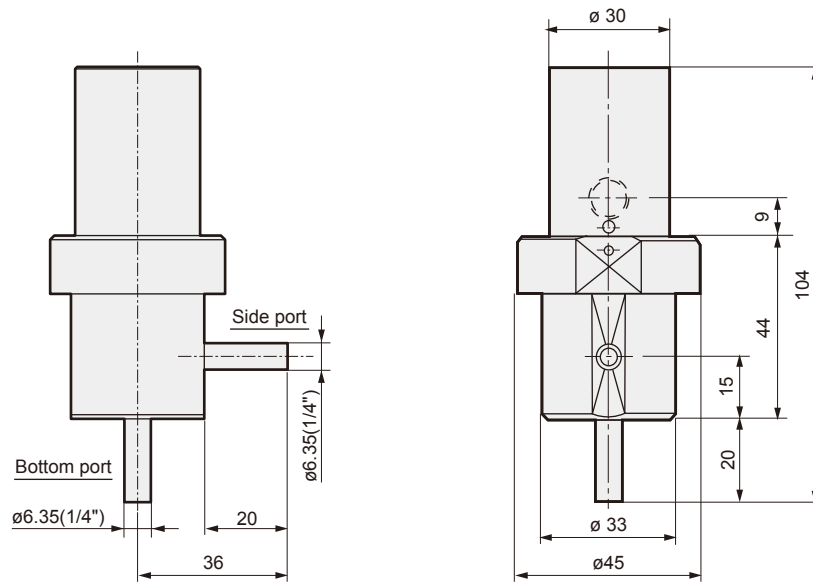
● AVP21-8T (NC)



No.	Part name	Material
①	Cylinder	
②	Rod	SUS304
③	Ring	C3604
④	O-ring holder	SUS304
⑤	Grease stopper	SUS304
⑥	Valve disc B	SUS304
⑦	Body	SUS304
⑧	Pipe	SUS304
⑨	O-ring	FKM
⑩	O-ring	FKM
⑪	Valve disc A	FKM/SUS 304

Dimensions

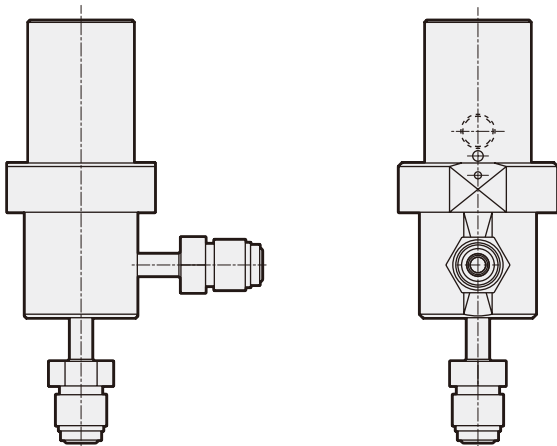
- AVB 21-8T (NC)
- AVP21-8T (NC)



■ Flange compatible

- With fitting

Made to Order



- NW flange

Made to Order

