

**We solve problems including:**

- Hover among models
- Time shortage for designing
- No space for clean assembling

## Clean unit

**F**ine **I**ntegrated **C**omponents **S**olution

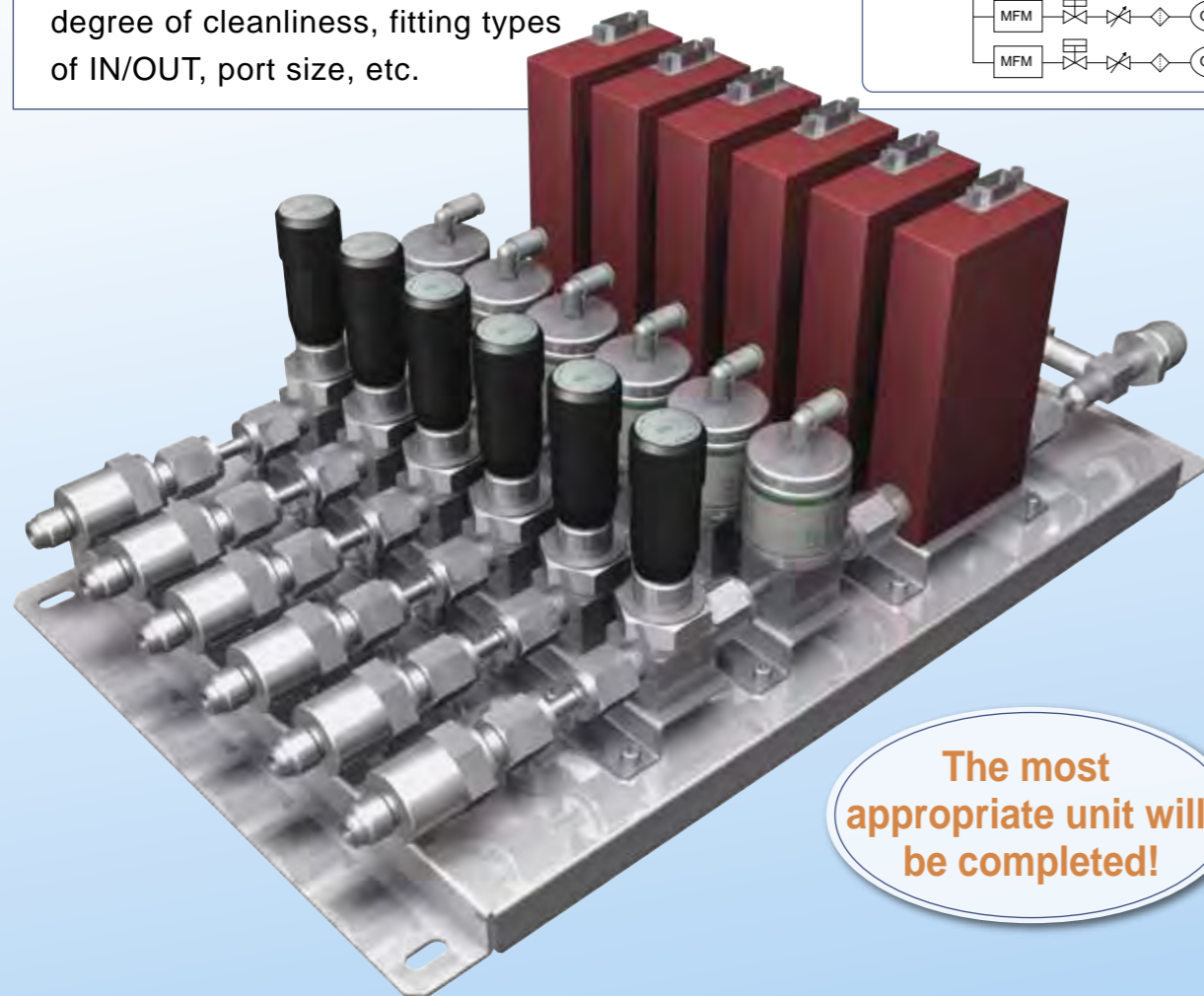
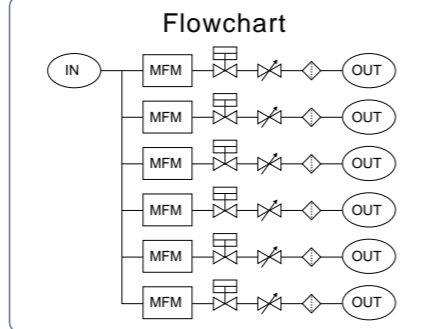
**Units developed from proofed products for semiconductors!**

**All you have to do is provide flowchart and specified conditions!**

### Confirmation items

#### [Specified conditions]

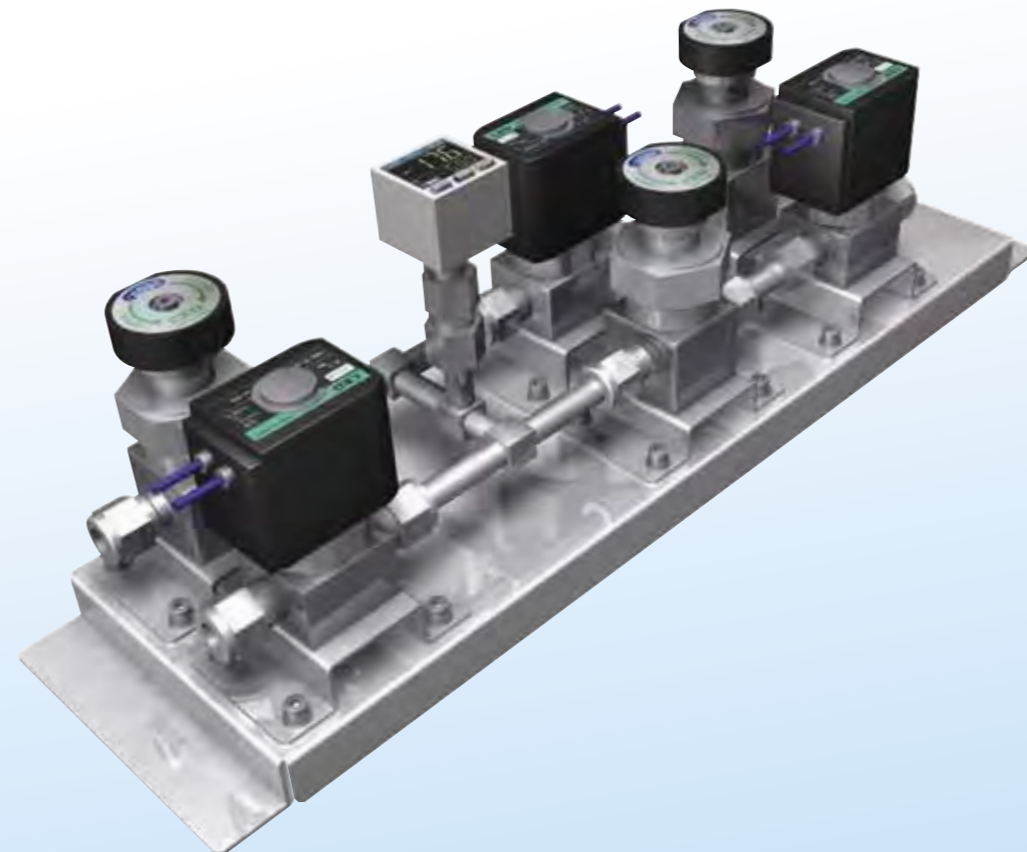
Fluid (air, dry air (CDA), nitrogen, argon, helium, process gas, water, etc.), pressure, flow, size, degree of cleanliness, fitting types of IN/OUT, port size, etc.



**The most appropriate unit will be completed!**

### Benefit for customers

- Designing** Reducing man-hours for selection, designing, and drawing
- Materials** Reducing man-hours for estimates and delivery date management, and number of slips
- Manufacture** Reducing man-hours for machining, assembling, and testing = only IN/OUT piping installation is required!
  - CKD guarantees the whole unit, not only the device!
  - Clean unit can be provided even without clean room!



### Applications

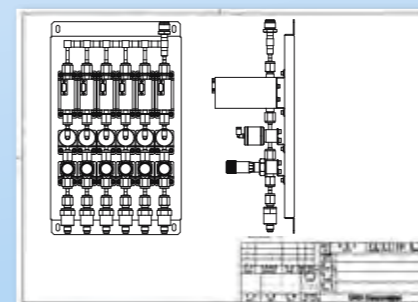
- N2 purge of hoop, stocker
- Dry air blow of laser
- Helium purge of inspection machines
- Combustible gas of coating equipment, N2 feeding



## Then, leave it to CKD!!

Based on the flowchart and specified conditions provided, the most appropriate clean unit is configured by CKD!

Specification submission after selection and designing



Exchange specifications and order



Shipping



Deliver while remaining clean status

**All you have to do is piping!**

Clean unit products are available to install on facilities and equipments!