

# APM Pressbrake

## Pressbrake ACP



The ACP series pressbrake is a solid engineered, high quality and most of all an economical and affordable pressbrake. It is a conventional type with mechanical equilibration by means of a heavy duty solid anti-torsion bar. The mechanical depth stops are incorporated in the cylinders. It is standard with X and Y axis control. The hydraulic block is using well-known German brand BOSCH-REXROTH (Germany). All hydraulic fittings and coupling including all the seals used in the cylinders are from Germany Märkel and EMB. Then the linear rails and ballscrews are supplied by HIWIN-Taiwan. In our design, we are using high pressure gear pump from SUNNY (USA)/NACHI (JAPAN). The main motor used is Siemens (Germany brand). The key components for electrical assembly on our machine are from Schneider-Telemachanique.

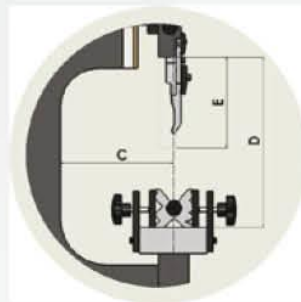
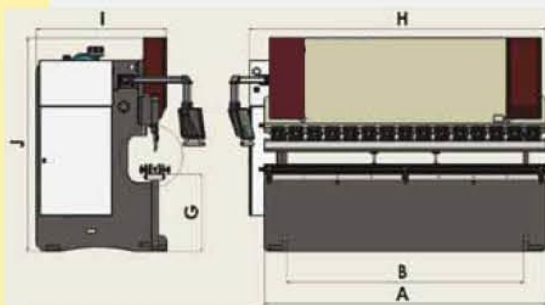
### Standard Features:

- \* X axis back-gauge and Y axis are controlled by E21 NC controller.
- \* High quality oil seals from Parker (USA)
- \* Side and back safety guard
- \* Hydraulic and electrical overload protection
- \* South Korea KACON foot pedal
- \* Filled oil tank, instruction and maintenance manuals
- \* 1 set of top tool and Multi V-Die
- \* Crowning table



### Optional Items:

- \* Upgrading to E200P, E300, Delem DA-41 and other controllers
- \* Servo motors on X and Y axes
- \* Quick clamping
- \* Light safety guarding device
- \* Front support with linear guide



Pressbrake ACP Technical Specification:

	Bending Pressure	Bending Length	Column Distance	Throat Depth	Max Opening Height	Slider Stroke	Length x Width x Height (mm)	Main Motor	X-axis Max Distance	Weight	Sliding Front Supporting Arms	Back Stopper
		a	b	c	d	e	(H) x (I) x (J)					
ACP 30100	1000KN	3200mm	2600mm	320mm	400mm	150mm	3200 x 1600 x 2600	7.5kw	500mm	6800kg	2	3
ACP 40100	1000KN	4000mm	3200mm	320mm	400mm	150mm	4000 x 1600 x 2600	7.5kw	500mm	8000kg	2	4
ACP 30125	1250KN	3200mm	2600mm	320mm	400mm	150mm	3200 x 1600 x 2600	11kw	500mm	7000kg	2	3
ACP 40125	1250KN	4000mm	3200mm	320mm	400mm	150mm	4000 x 1600 x 2600	11kw	500mm	8500kg	2	4
ACP 30160	1600KN	3200mm	2580mm	320mm	460mm	200mm	3200 x 1700 x 2700	11kw	500mm	10000kg	2	3
ACP 40160	1600KN	4000mm	2900mm	320mm	460mm	200mm	4000 x 1700 x 2800	11kw	500mm	11000kg	2	4
ACP 50160	1600KN	5000mm	3900mm	320mm	460mm	200mm	5000 x 1900 x 3100	11kw	500mm	13500kg	2	5
ACP 60160	1600KN	6000mm	4900mm	320mm	460mm	200mm	6300 x 1900 x 3200	11kw	500mm	18500kg	2	6
ACP 30200	2000KN	3200mm	2480mm	320mm	460mm	200mm	3200 x 1950 x 2800	11kw	500mm	11000kg	2	3
ACP 40200	2000KN	4000mm	2900mm	320mm	460mm	200mm	4000 x 1950 x 2800	11kw	500mm	12500kg	2	4
ACP 60200	2000KN	6000mm	4900mm	320mm	460mm	200mm	6000 x 1950 x 3300	11kw	500mm	20000kg	2	6