



HD 9/100-4 Cage Classic

The HD 9/100-4 Cage Classic ultra high-pressure cleaner stands out thanks to a working pressure of 1000 bar, an hourly flow rate of 900 l and a bypass trigger gun. Removes even extremely stubborn dirt.



1 Powerful industrial high-pressure pump

- Plunger made from carbide for a long service life.
- Maintenance-friendly design that makes replacing wear parts such as valves, seals and plungers easy.

2 User-friendly WOMA trigger gun

- Ergonomic handle and lightweight design for ease of operation.
- Reduced trigger forces for effortless working.

3 Durable and robust

- Low operation and service costs.
- Prevents any sudden recoil for the user, as the pressure is built up slowly when pulling the trigger gun.

4 Outstanding mobility

- Large wheels, as well as an optimum centre of gravity secure a high degree of mobility for the machine – despite its size.
- A practical crane hook allows simple transport, also over rough terrain.



HD 9/100-4 Cage Classic

- Booster pump (optional)
- Water shortage protection as standard

Technical data

| | | |
|-----------------------------------|--------------------|--------------------|
| Order no. | 1.812-000.0 | |
| EAN code | 4054278303130 | |
| Working pressure | bar / MPa | 1000 / 100 |
| Flow rate | l/h | 980 |
| Inlet temperature | °C | 45 |
| Fuel | Electric | |
| Engine rating | kW | 30 |
| Current type | Ph / V / Hz | 3 / 380 - 415 / 50 |
| Pump type | Crankshaft | |
| Weight without accessories | kg | 378 |
| Weight (with accessories) | kg | 392 |
| Dimensions (L × W × H) | 1395 × 789 × 1088 | |

Equipment

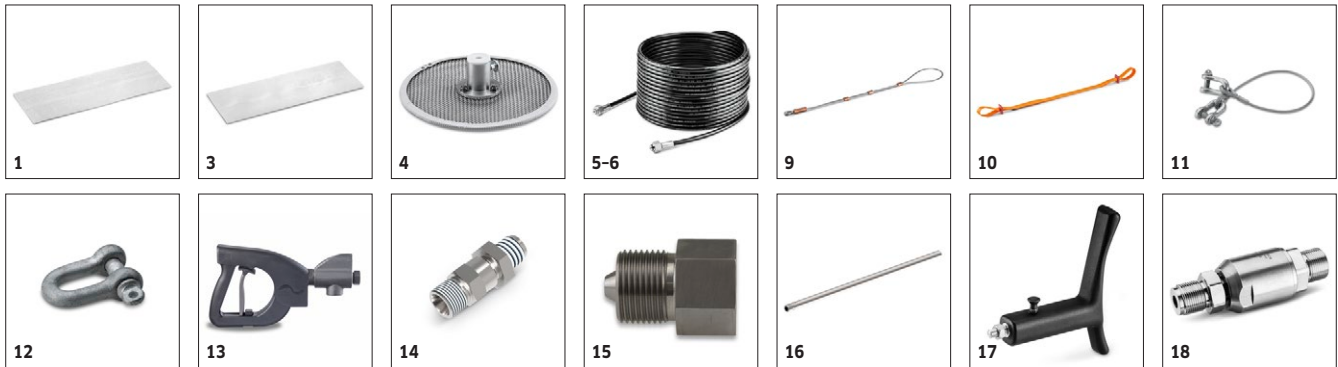
| | | |
|------------------------------------|----------------------------|-----|
| Electro start | - | |
| High-pressure hose | m | 20 |
| Spray gun | UHP trigger gun (Dump Gun) | |
| Stainless steel spray lance | mm | 750 |
| Flat jet nozzle | ■ | |
| Safety valve | ■ | |
| Elapsed time counter | ■ | |

■ Included in the scope of supply.

HD 9/100-4 CAGE CLASSIC

1.812-000.0

KÄRCHER



| | | | Order no. | Length | | | Price | Description | |
|---|----|-------------|-----------|--------|--|--|-------|--|---|
| Attachment kits | | | | | | | | | |
| Filter fleece filter housing 100 µm | 1 | 6.414-074.0 | | | | | | 5 pc. fleece filter bags, 100 µm for filter casing. | ■ |
| Attachment kit for advance pressure pump | 2 | 2.637-017.0 | | | | | | Booster pump attachment kit for reliable high-pressure pump water supply. The advance pressure pump is installed in the machine. | □ |
| Filter fleece, filter casing | 3 | 6.414-073.0 | | | | | | Filter fleece, 50 µm for filter casing. Contents: Pack of 5. | □ |
| Splash guard | 4 | 9.871-040.0 | | | | | | Splash guard for pushing onto the spray lance. | □ |
| High-pressure hoses | | | | | | | | | |
| High-pressure hose | 5 | 9.919-791.0 | | | | | | Durable, abrasion-resistant and flexible multi-layer steel-reinforced hose with connection size M 24 × 1.5. Suitable for up to 1100 bar working pressure. | ■ |
| Hose 40 m NW 6 1,100 bar M24 x 1.5 DKO | 6 | 9.919-912.0 | | | | | | Abrasion-resistant, flexible and thanks to multilayer steel casing also very durable hose with 40 m length. Suitable for up to 1100 bar working pressure. Connection size M 24 × 1.5. | □ |
| High-pressure hose | 7 | 9.887-894.0 | | | | | | The 10 m long high-pressure hose is more abrasion-resistant and long-lasting than the standard hose. Suitable for up to 1250 bar working pressure and the connection size M 24 × 1.5. | □ |
| | 8 | 9.887-895.0 | | | | | | Abrasion-resistant and extremely long-lasting: The 20 m long high-pressure hose is suitable for up to 1250 bar working pressure and the connection size M 24 × 1.5. | □ |
| Hose sling | 9 | 9.887-583.0 | | | | | | Hose sling for securing high-pressure hose at machine. | □ |
| | 10 | 9.920-368.0 | | | | | | Prevents uncontrolled lashing in the event of malfunctions, thus minimising the risk of injury for the operator. | □ |
| Mounting rope | 11 | 6.025-311.0 | | | | | | Fastening rope | □ |
| Shackles | 12 | 6.025-195.0 | | | | | | Sturdy shackles for fastening slings for high-pressure hoses at machine. | □ |
| Trigger guns | | | | | | | | | |
| UHP trigger gun | 13 | 9.918-187.0 | | | | | | The bypass trigger gun is suitable for working pressures of up to 3000 bar. The water flows into a bypass when the trigger gun is closed. Connection for high-pressure hose, 9/16" UNF. | ■ |
| Hose connection | 14 | 9.871-969.0 | | | | | | Hose connection with the connection size M 24 × 1.5 for fastening at the UHP trigger gun. | ■ |
| Adapter for pressures of up to 1500 bar when using the dump gun | 15 | 9.918-624.0 | | | | | | Adapter for bypass trigger gun for pressures of up to 1500 bar. Connection for high-pressure hose, M24 × 1.5. | ■ |
| Bypass pipe | 16 | 9.918-623.0 | | | | | | Bypass pipe for rerouting the bypass water from the bypass trigger gun. | ■ |
| Shoulder support | 17 | 9.918-752.0 | | | | | | Sturdy shoulder support that must be used from a recoil force of more than 150 N. | □ |
| DSA 1500 M24X1.5 24°DK | 18 | 9.872-437.0 | | | | | | Necessary connection element (M 24 × 1.5) for installation of high-pressure hose at UHP trigger gun. The hose remains rotatable relative to the trigger gun. Suitable for up to 1500 bar working pressure. | □ |
| Adapter for bypass hose | 19 | 9.897-958.0 | | | | | | Adapter for bypass hose. For reducing diameter from 3/4" to 3/8". | □ |
| Bypass hose | 20 | 9.887-970.0 | | | | | | Bypass hose for efficient draining of bypass water from the Dump Gun. | □ |
| Spray lances | | | | | | | | | |
| Spray lance | 21 | 9.891-183.0 | | | | | | Spray lance with connection size 9/16" UNF. Suitable for up to 1,500 bar working pressure. | ■ |

■ Included in the scope of supply. □ Available accessories.

HD 9/100-4 CAGE CLASSIC

1.812-000.0

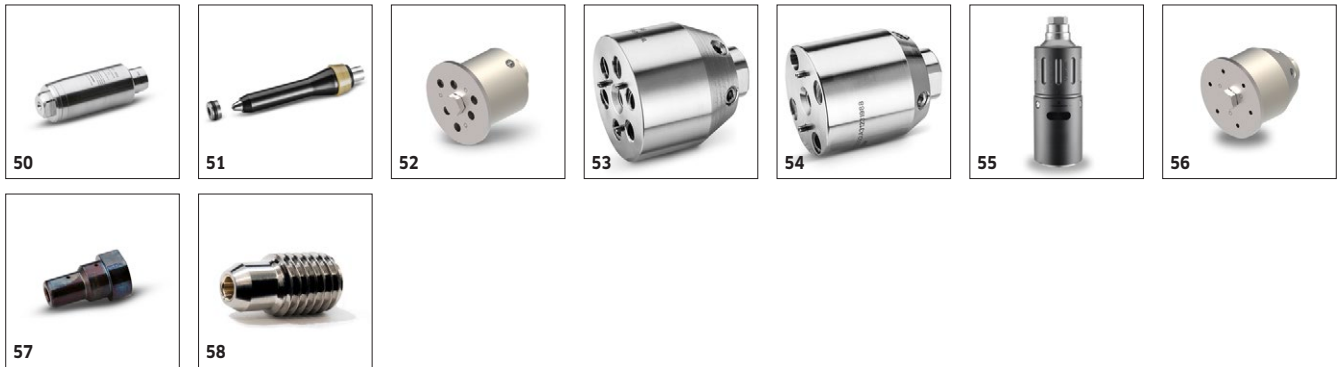
KÄRCHER



| | | Order no. | Length | | | | Price | Description | |
|--|----|-------------|--------|--|--|--|-------|--|---|
| Spray lance handle | 22 | 6.025-300.0 | | | | | | Spray lance handle. | ■ |
| Nozzle pipe | 23 | 9.891-182.0 | | | | | | Spray lance with connection size 9/16" UNF. Suitable for up to 1500 bar working pressure. | □ |
| Spray lance | 24 | 9.891-184.0 | | | | | | Spray lance with connection size 9/16" UNF. Suitable for up to 1,500 bar working pressure. | □ |
| | 25 | 9.891-207.0 | | | | | | | □ |
| | 26 | 9.891-185.0 | | | | | | Spray lance with connection size 9/16" UNF. Suitable for working pressures of up to 1500 bar . | □ |
| Spray lance handle, 90° | 27 | 9.871-675.0 | | | | | | Side handle for spray lance. 90° angle to spray lance axis. Flexible and individually adjustable. | □ |
| Plug-in nozzles F4/F19 | | | | | | | | | |
| Nozzle carrier F4/F19 | 28 | 9.872-008.0 | | | | | | Nozzle carrier for nozzle F4 / F19. Suitable for working pressures of up to 1,500 bar. | ■ |
| O-ring | 29 | 6.025-168.0 | | | | | | For nozzle carrier F4/F19. | ■ |
| Flat jet nozzle F19 | 30 | 6.025-466.0 | | | | | | Plug-in flat jet nozzle F19 with a diameter of 1.10 mm and 20°. Suitable for working pressures of up to 1,500 bar. | ■ |
| Round jet nozzle F4 | 31 | 6.025-470.0 | | | | | | Plug-in round jet nozzle F4 with a diameter of 0.90 mm. Suitable for working pressures of up to 1,500 bar. | □ |
| | 32 | 6.025-198.0 | | | | | | Plug-in round jet nozzle F4 with a diameter of 1.00 mm. Suitable for working pressures of up to 1,500 bar. | □ |
| | 33 | 9.885-951.0 | | | | | | Plug-in round jet nozzle F4 with a diameter of 1.10 mm. Suitable for working pressures of up to 1,500 bar. | □ |
| | 34 | 6.025-199.0 | | | | | | Plug-in round jet nozzle F4 with a diameter of 1.20 mm. Suitable for working pressures of up to 1,500 bar. | □ |
| | 35 | 6.025-196.0 | | | | | | Plug-in round jet nozzle F4 with a diameter of 1.30 mm. Suitable for working pressures of up to 250 bar with water flow rate of 900 l/h. | □ |
| Flat jet nozzle F19 | 36 | 6.025-207.0 | | | | | | Plug-in flat jet nozzle F19 with a diameter of 1.20 mm and 20°. Suitable for working pressures of up to 1,500 bar. | □ |
| | 37 | 6.025-211.0 | | | | | | Plug-in flat jet nozzle F19 with a diameter of 1.40 mm and 20°. Suitable for working pressures of up to 1,500 bar. | □ |
| | 38 | 6.025-203.0 | | | | | | Plug-in flat jet nozzle F19 with a diameter of 1.50 mm and 20°. Suitable for working pressures of up to 1,500 bar. | □ |
| | 39 | 6.025-467.0 | | | | | | Plug-in flat jet nozzle F19 with a diameter of 1.10 mm and 30°. Suitable for working pressures of up to 1,500 bar. | □ |
| | 40 | 6.025-208.0 | | | | | | Plug-in flat jet nozzle F19 with a diameter of 1.20 mm and 30°. Suitable for working pressures of up to 1,500 bar. | □ |
| | 41 | 6.025-469.0 | | | | | | Plug-in flat jet nozzle F19 with a diameter of 1.30 mm and 30°. Suitable for working pressures of up to 1,500 bar. | □ |
| | 42 | 6.025-212.0 | | | | | | Plug-in flat jet nozzle F19 with a diameter of 1.40 mm and 30°. Suitable for working pressures of up to 1,500 bar. | □ |
| | 43 | 6.025-204.0 | | | | | | Plug-in flat jet nozzle F19 with a diameter of 1.50 mm and 30°. Suitable for working pressures of up to 1,500 bar. | □ |
| Couplings and connectors | | | | | | | | | |
| Hose connector | 44 | 9.877-911.0 | | | | | | For connecting and extending high-pressure hoses with connection M 24 x 1.5. | □ |
| Pressure screw | 45 | 9.883-492.0 | | | | | | Thrust screw with connection size M26 x 1.5. | □ |
| Pressure ring | 46 | 9.883-570.0 | | | | | | Thrust collar with connection size 9/16" UNF. | □ |
| Pressure screw | 47 | 9.883-669.0 | | | | | | Pressure screw, connection size 1 1/8" UNF. | □ |
| Pressure ring | 48 | 9.883-670.0 | | | | | | Pressure ring, connection size 9/16" UNF. | □ |
| Grease for stainless steel threaded joints | 49 | 6.280-180.0 | | | | | | Grease for stainless steel screw connections. | □ |

■ Included in the scope of supply. □ Available accessories.

HD 9/100-4 CAGE CLASSIC 1.812-000.0



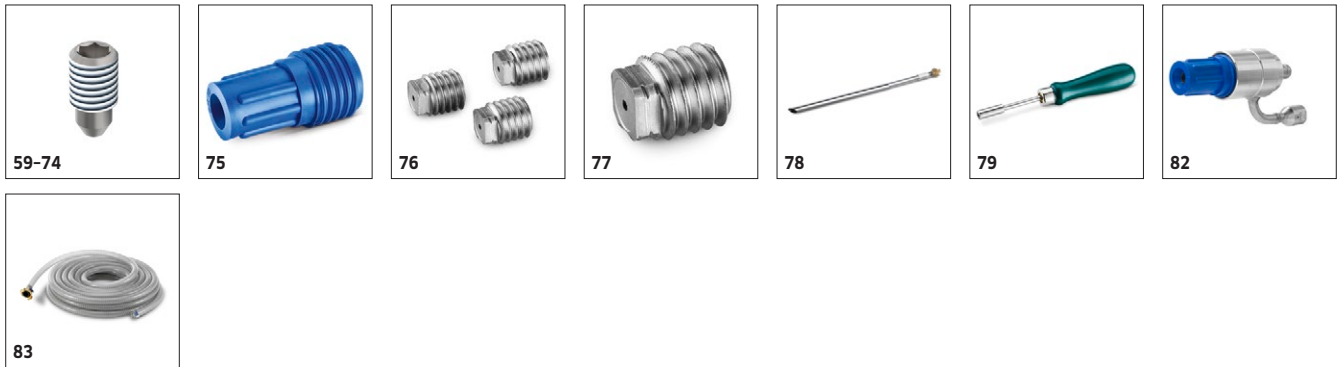
| | | Order no. | Length | | | | Price | Description | |
|----------------------------------|----|-------------|--------|--|--|--|-------|--|--------------------------|
| Single-jet rotary nozzles | | | | | | | | | |
| Orbimaster | 50 | 9.886-666.0 | | | | | | High area performance due to orbital movement of the water stream. Rotor and seat made of hard metal, casing made of high-strength stainless steel. Easy rotor replacement. Suitable for hot water operation up to 100°C. Self-propelling. Low weight. | <input type="checkbox"/> |
| Repair kit Orbimaster | 51 | 9.884-069.0 | | | | | | Repair kit Orbimaster, comprising rotor, fitting and O-ring. Suitable for our single rotary nozzle (Order No. 9.886-666.0). Can be used up to 1,500 bar water pressure. | <input type="checkbox"/> |
| Multi-jet rotary nozzles | | | | | | | | | |
| Nozzle carrier head TD06 | 52 | 9.886-875.0 | | | | | | 6-jet nozzle carrier head for F21 nozzle. Suitable for working pressures of up to 3,000 bar. 30° spray angle, includes guard and flow conditioner. | <input type="checkbox"/> |
| Nozzle carrier head TD08 | 53 | 9.886-879.0 | | | | | | 6-jet nozzle carrier head for F21 nozzle. Suitable for working pressures of up to 3,000 bar. 25° spray angle, includes guard and flow conditioner. | <input type="checkbox"/> |
| Nozzle carrier head TD10 | 54 | 9.918-067.0 | | | | | | 4-jet nozzle carrier head for F21 nozzle. Suitable for working pressures of up to 3000 bar. 45° spray angle, includes guard and flow conditioner. | <input type="checkbox"/> |
| Nozzle body | 55 | 9.917-677.0 | | | | | | Rotary transmission lead-through with infinitely variable speed control. Includes protective pipe. | <input type="checkbox"/> |
| Nozzle carrier head TD09 | 56 | 9.899-828.0 | | | | | | 6-jet nozzle carrier head for F21 nozzle. Suitable for working pressures of up to 3,000 bar. 35° spray angle, includes guard and flow conditioner. | <input type="checkbox"/> |
| Screw nozzles F21 | | | | | | | | | |
| Nozzle carrier F21 | 57 | 9.878-291.0 | | | | | | Nozzle carrier for sapphire nozzle F21. Suitable for working pressures of up to 3,000 bar. | <input type="checkbox"/> |
| Dummy nozzle F21 | 58 | 6.025-237.0 | | | | | | F21 screw-on dummy nozzle. Suitable for working pressures of up to 3,000 bar. | <input type="checkbox"/> |

■ Included in the scope of supply. □ Available accessories.

HD 9/100-4 CAGE CLASSIC

1.812-000.0

KÄRCHER



| | | Order no. | Length | | | | Price | Description | |
|---|----|------------------|---------------|--|--|--|--------------|---|--------------------------|
| Round jet nozzle F21, Saphir | 59 | 9.886-208.0 | | | | | | Screw-on F21 sapphire round jet nozzle with a diameter of 0.35 mm. Suitable for working pressures of up to 3,000 bar. | <input type="checkbox"/> |
| | 60 | 9.886-209.0 | | | | | | Screw-on F21 sapphire round jet nozzle with a diameter of 0.40 mm. Suitable for working pressures of up to 3,000 bar. | <input type="checkbox"/> |
| | 61 | 6.025-220.0 | | | | | | Screw-on F21 sapphire round jet nozzle with a diameter of 0.45 mm. Suitable for working pressures of up to 3,000 bar. | <input type="checkbox"/> |
| | 62 | 9.886-211.0 | | | | | | Screw-on F21 sapphire round jet nozzle with a diameter of 0.55 mm. Suitable for working pressures of up to 3,000 bar. | <input type="checkbox"/> |
| | 63 | 9.886-212.0 | | | | | | Screw-on F21 sapphire round jet nozzle with a diameter of 0.60 mm. Suitable for working pressures of up to 3,000 bar. | <input type="checkbox"/> |
| | 64 | 6.025-221.0 | | | | | | Screw-on F21 sapphire round jet nozzle with a diameter of 0.65 mm. Suitable for working pressures of up to 2,500 bar. | <input type="checkbox"/> |
| | 65 | 6.025-222.0 | | | | | | Screw-on F21 sapphire round jet nozzle with a diameter of 0.70 mm. Suitable for working pressures of up to 3,000 bar. | <input type="checkbox"/> |
| | 66 | 9.886-213.0 | | | | | | Screw-on F21 sapphire round jet nozzle with a diameter of 0.75 mm. Suitable for working pressures of up to 3,000 bar. | <input type="checkbox"/> |
| | 67 | 9.886-214.0 | | | | | | Screw-on F21 sapphire round jet nozzle with a diameter of 0.80 mm. Suitable for working pressures of up to 3,000 bar. | <input type="checkbox"/> |
| | 68 | 9.886-215.0 | | | | | | Screw-on F21 sapphire round jet nozzle with a diameter of 0.85 mm. Suitable for working pressures of up to 3,000 bar. | <input type="checkbox"/> |
| | 69 | 9.886-216.0 | | | | | | Screw-on F21 sapphire round jet nozzle with a diameter of 0.90 mm. Suitable for working pressures of up to 3,000 bar. | <input type="checkbox"/> |
| | 70 | 9.886-217.0 | | | | | | Screw-on F21 sapphire round jet nozzle with a diameter of 0.95 mm. Suitable for working pressures of up to 3,000 bar. | <input type="checkbox"/> |
| | 71 | 9.886-218.0 | | | | | | Screw-on F21 sapphire round jet nozzle with a diameter of 1.00 mm. Suitable for working pressures of up to 3,000 bar. | <input type="checkbox"/> |
| | 72 | 9.886-219.0 | | | | | | Screw-on F21 sapphire round jet nozzle with a diameter of 1.10 mm. Suitable for working pressures of up to 3,000 bar. | <input type="checkbox"/> |
| | 73 | 9.886-207.0 | | | | | | Screw-on F21 sapphire round jet nozzle with a diameter of 0.30 mm. Suitable for working pressures of up to 3,000 bar. | <input type="checkbox"/> |
| | 74 | 9.886-210.0 | | | | | | Screw-on F21 sapphire round jet nozzle with a diameter of 0.50 mm. Suitable for working pressures of up to 3,000 bar. | <input type="checkbox"/> |
| Abrasive blaster | | | | | | | | | |
| Replacement nozzle for abrasive blaster | 75 | 6.025-346.0 | | | | | | Replacement nozzle for abrasive spray head made from boron carbide. Colour blue. | <input type="checkbox"/> |
| F98 nozzle set, 0.60 mm | 76 | 9.886-550.0 | | | | | | | <input type="checkbox"/> |
| Nozzle F98 for abrasive blaster | 77 | 6.025-256.0 | | | | | | 0.6 mm | <input type="checkbox"/> |
| Suction lance | 78 | 6.025-258.0 | | | | | | For the suction of spray agents. | <input type="checkbox"/> |
| Mounting tool for nozzle set | 79 | 6.025-257.0 | | | | | | For F98 nozzles. | <input type="checkbox"/> |
| Abrasive | 80 | 6.025-309.0 | | | | | | 25 kg, 0.5-1.00 mm, garnet sand. | <input type="checkbox"/> |
| | 81 | 6.025-310.0 | | | | | | 25 kg, 0.7-1.40 mm, garnet sand. | <input type="checkbox"/> |
| Abrasive sprayer | 82 | 9.872-250.0 | | | | | | Abrasive spray head for wet sand blasting. Nozzle size: 3 x 0.6. Only includes spray head. Without hose and lance. | <input type="checkbox"/> |
| Abrasive material hose | 83 | 6.025-308.0 | | | | | | Abrasive hose. | <input type="checkbox"/> |

■ Included in the scope of supply. □ Available accessories.