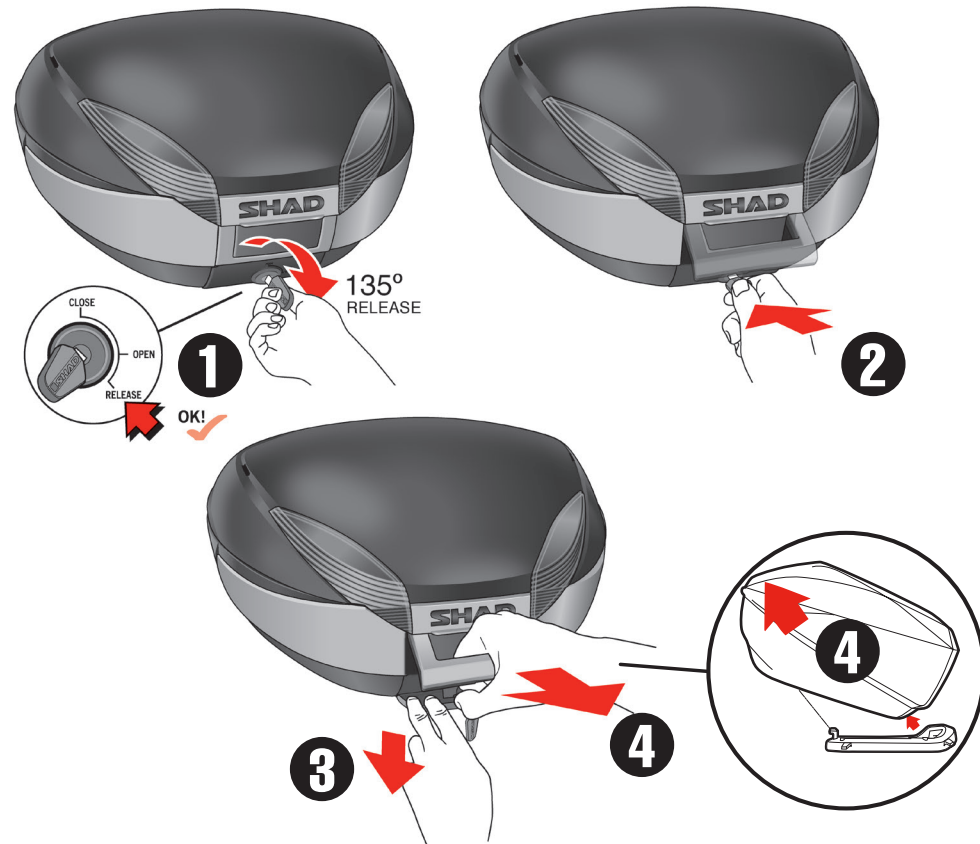
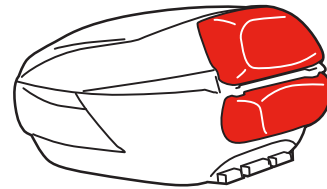


Release

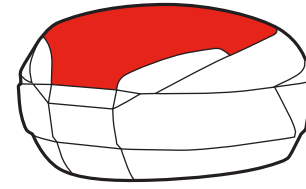


SH48

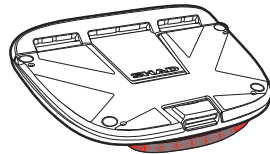
Accessories (Optional)



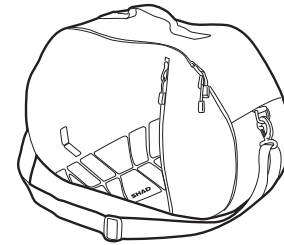
Backrest
Ref. D0RI4800



Colour cover
Ref. D1B48EXX



Brake light
Ref. D0B29KL

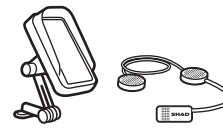


Inner bag
Ref. X01B00

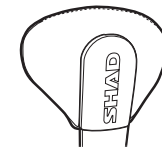
Other Shad Products



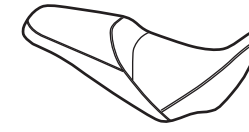
Soft Bags



Communication



Backrests



Comfort Seats

Find out about other products at www.shad.es



IMPORTANT
WARRANTY INFO: www.shad.es

SHAD
WWW.SHAD.ES

PoL Ind. Can Magarola
Octave Lecante, 2-6
08100 MOLLET DEL VALLÈS
BARCELONA (SPAIN)

España 0034 935 795 860
France 0034 935 795 868
World 0034 935 795 867
Fax: 0034 935 796 945
info@shad.es

Code: 500922 - Edition: 6 - Date: 02-01-2019

SHAD

INSTRUCTION MANUAL

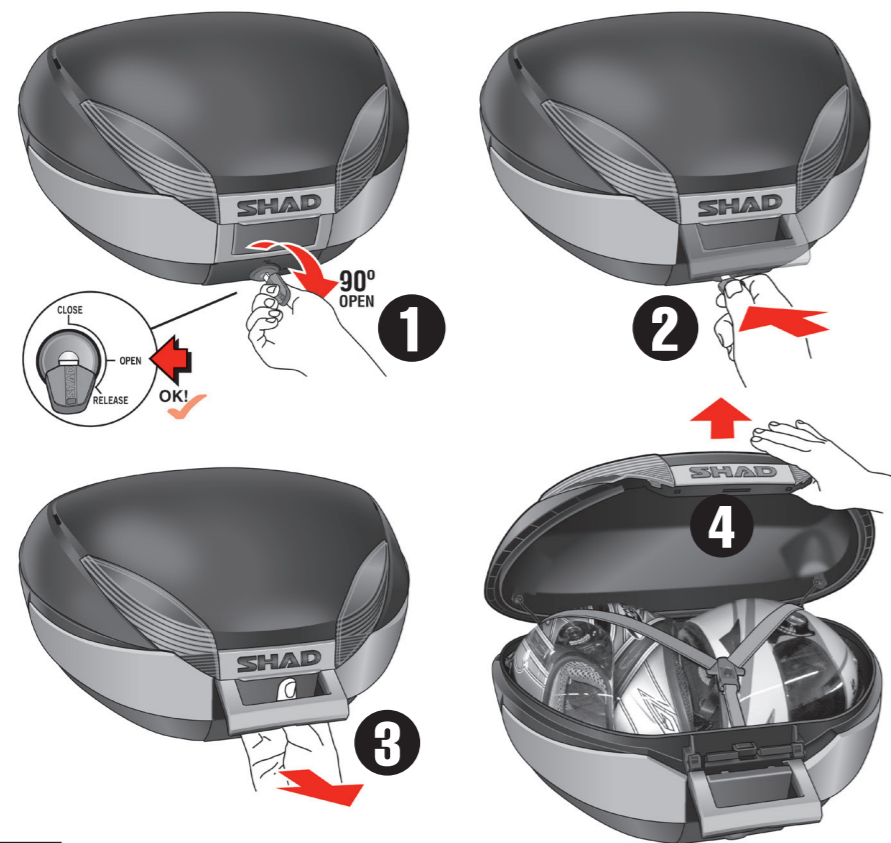
SH48



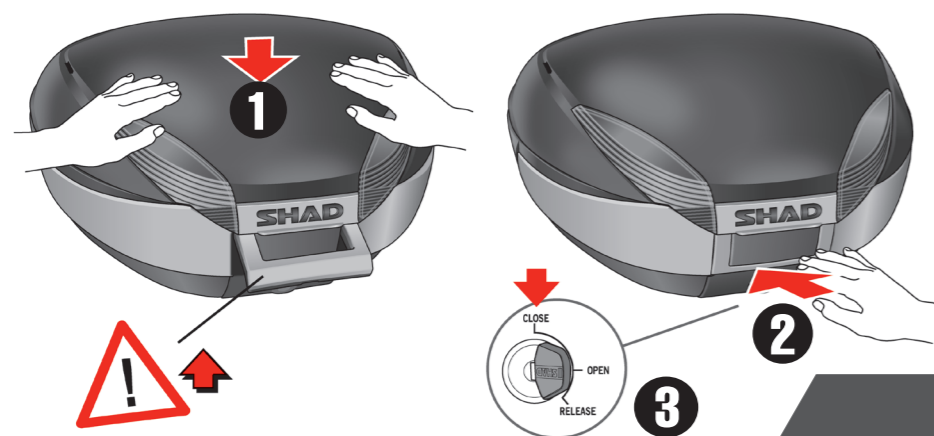
INSPIRED IN BARCELONA®

WWW.SHAD.ES

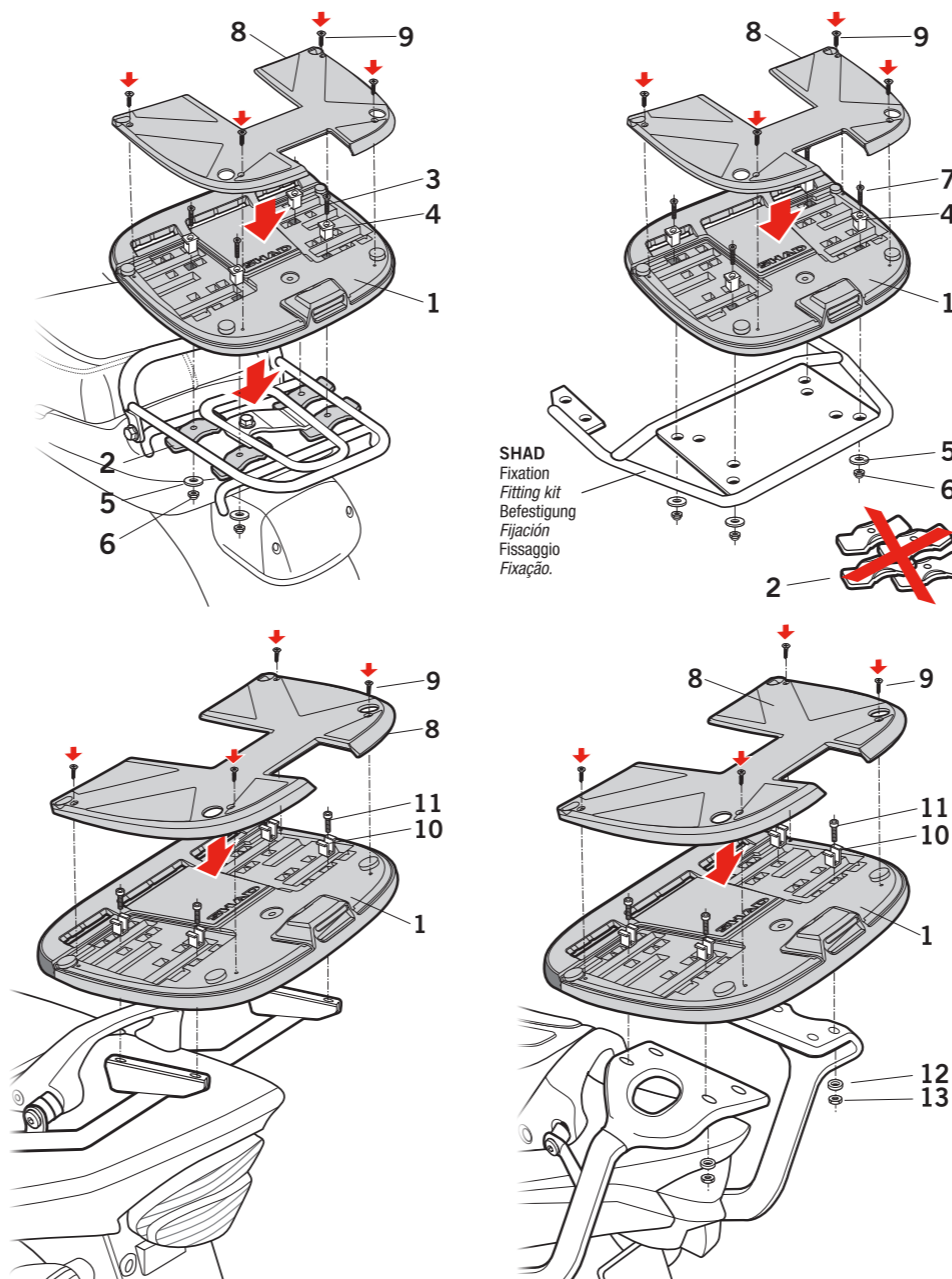
Open



Close



Top case support assembly



- (GB) Note:** Consult accessories with your distributor.
(*) It can only be used on the Top or Full master.
(**) Included in the specific support.
- (F) Remarque:** Consultez les accessoires avec votre distributeur.
(*) Seulement on pourrait l'utiliser sur le top et le full master.
(**) Inclus dans le support spécifique.
- (D) Anmerkung:** Auslieferer zu dem Zubehör befragen.
(*) Wird nur im Top und Full Master verwendet.
(**) Im spezifischen Halter enthalten.
- (E) Nota:** Consulte accesorios con su distribuidor.
(*) Solo se utilizará sobre el Top y Full Master.
(**) Incluidos en el soporte específico.
- (I) Nota:** Consulti gli accessori con il suo rivenditore.
(*) Solo si utilizzerà sul Top e Full Master.
(**) Inclusi nel supporto specifico.
- (P) Nota:** Consulte a lista de acessórios com o seu distribuidor.
(*) Apenas será utilizado para o Top e Full Master
(**) Incluídos no suporte específico.

Number	Reference	Quantity
1	201834 (Support piece)	1
2	201049 (Bridle)	4
3	304144 (Screw M6x40 DIN 965)	4
4	200713/2 (Plastic bridle)	4
5	303000 (Ø6 Washer fs M6 DIN 125 A)	4
6	302021 (M6 Nut M6 DIN 985)	4
7	304058 (Screw M6x30 DIN 965)	4
8	201835 (Cover support piece)	1
9	304127 (Screw Ø3'5x13 DIN 7982)	4
10	201504 (Metal piece) *	4
11	304074 (Screw M8x20 DIN 912) **	4
12	303020 (Ø8 Washer fs M8 DIN 125 A) **	4
13	302024 (Nut M8 DIN 985) **	4

FAQ's and more information



One key

 For three cases

