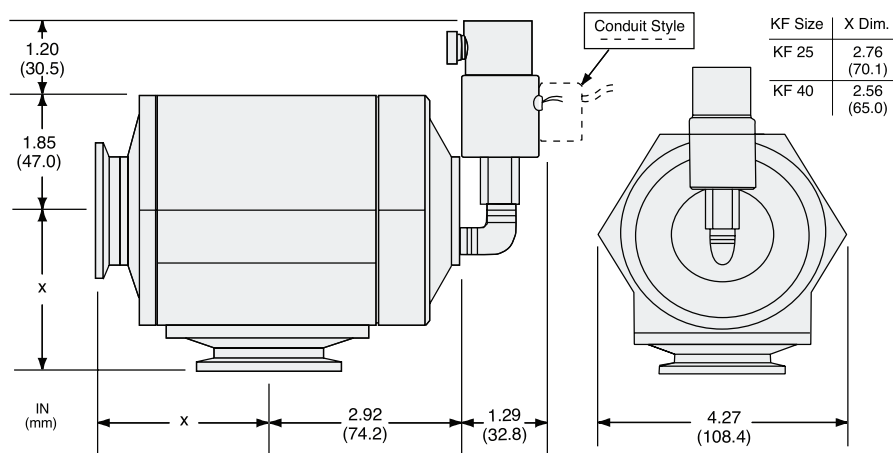
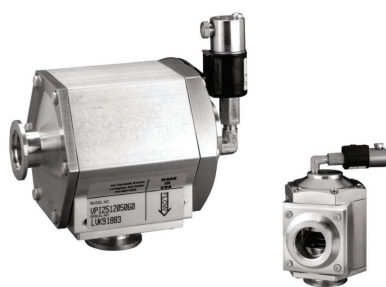


## Agilent Vacuum Pump Isolation Valve (VPI)



**Dimensions: millimeters (inches)**

### Protection for your vacuum system

The VPI is electrically connected in parallel to your mechanical pump. It closes rapidly when power is interrupted to prevent oil backstreaming or particle migration into your vacuum system. The valve also vents the pump from the inlet side to push any debris towards the outlet. This prevents it from being swept into the system when pumping is restarted. The body design and right-angle configuration provide maximum conductance.

Features	Benefits
Lock-over-center mechanism	Reliable, repeatable seals
Fast-acting: valve closes in less than 30 ms	Immediate protection of your vacuum system from oil or contaminant migration in the event of power failure
Provides venting of the pump at the pump inlet	Flow direction is maintained; oil/debris are not swept into the system
Remains closed until pump inlet pressure returns to system pressure	Continued protection and easy restart
Operates with atmospheric pressure and is activated upon loss of electrical power	No compressed air required for operation
Provides maximum conductance	No reduction of pumping speed

## Technical specifications

Materials	Body: 6061-T6 aluminum Piston: 2024 aluminum Seals: synthetic rubber
Leak Rate	Body and seal: $<1 \times 10^{-9}$ std cc/s He
Closing Time	<30 ms
Power	7 W at 115 VAC
Conductance	NW25 - 13 L/s NW40 - 33 L/s
Temperature Range	Valve: 0 to 100 °C, solenoid 0 to 50 °C

## Ordering information

Description	Voltage	Part Number	Shipping Weight lb (kg)
NW25	120 VAC	VPI251205060	5.0 (2.3)
	133 VAC	VPI251335060	5.0 (2.3)
	220 VAC	VPI252205060	5.0 (2.3)
	266 VAC	VPI252665060	5.0 (2.3)
NW40	120 VAC	VPI401205060	5.0 (2.3)
	133 VAC	VPI401335060	5.0 (2.3)
	220 VAC	VPI402205060	5.0 (2.3)
	266 VAC	VPI402665060	5.0 (2.3)
<b>Accessories</b>			
Piston Kit, NW25		VPI25PSTNKIT	1.0 (0.5)
Rebuild Kit, NW25		VPI25RBLDKIT	1.0 (0.5)
Piston Kit, NW40		VPI40PSTNKIT	1.0 (0.5)
Rebuild Kit, NW40		VPI40RBLDKIT	1.0 (0.5)
Replacement Solenoid	120 VAC	VPISOL1205060	1.0 (0.5)
	133 VAC	VPISOL1335060	1.0 (0.5)
	220 VAC	VPISOL2205060	1.0 (0.5)
	266 VAC	VPISOL2665060	1.0 (0.5)
Seals Kit, NW25/40		VPISEALSKIT	1.0 (0.5)

[www.agilent.com/en/  
product/vacuum-technologies/dry-  
scroll-pumps](http://www.agilent.com/en/product/vacuum-technologies/dry-scroll-pumps)

DE44236.5788773148

This information is subject to change without notice.

© Agilent Technologies, Inc. 2021  
Printed in the USA, February 10, 2021  
5994-2925EN