

# LUXON AZUD

## LPF

Automatic in-line screen filters, of electric control, suitable to all the applications, developed as pre filtration of high flows, with the guarantee of AZUD quality.



## ADVANTAGES

- ✓ **Energy Efficient:** The consumption of water in the flushing cycle is minimal.
- ✓ **Wide selection of screens:** Screens available 1000, 1500 and 2000 micron.
- ✓ **Versatility:** Inlet/Outlet from 16" to 120" // 400 to 3000 mm.
- ✓ **Resistance:** Temperatures to 60° C (140° F)
- ✓ **Large screen area.**
- ✓ **Resistant material:** The screen is manufactured in high quality stainless steel.
- ✓ **Time saving:** The filtration process and the flushing cycle occur simultaneously.
- ✓ **Easy installation:** The filters are delivered to be installed.
- ✓ **Safety and resistance.**

There are solutions to work with pressures higher than 10 bar / 145 psi or saline water. Control unit included.

## TECHNOLOGY

**AZUD LUXON filters continue to supply filtered water without interruption during the flushing cycle.**

The water flows through the inlet (1) to the inside of the filter element.

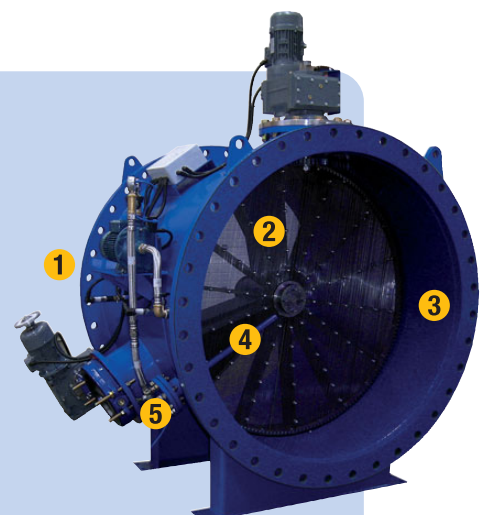
The water then passes through the screen (2), and the particles are retained on the inside of the filter element (screen). The filtered water then flows out through the outlet (3).

When the pressure differential from inlet to outlet

of the filter reaches the pre-selected level the flushing cycle starts ( $\Delta P$ ).

A valve opens in the drain port, which initiates injection in the inner nozzles (4). This, along with the rotatory movement expels the screen sucks the captured particles into the waste flow, and this is expelled out the drain port.(5)

The length of the flush cycle is pre-determined by the control unit. When the cycle is complete the valve closes and the flushing ends. The flushing process uses a minimal amount of water.



Model	DN CONNECTION				Filtering Surface	
	Inlet - Outlet Flange		Drainage Female - Thread		cm <sup>2</sup>	in <sup>2</sup>
	"	mm	"	mm		
AZUD LUXON LPF 1100/16	16"	400	3"	80	1100	171
AZUD LUXON LPF 1400/20	20"	500	4"	100	1400	217
AZUD LUXON LPF 1800/24	24"	600	5"	125	1800	279
AZUD LUXON LPF 2600/28	28"	700	6"	150	2600	403
AZUD LUXON LPF 3500/32	32"	800	6"	150	3500	543
AZUD LUXON LPF 4500/36	36"	900	8"	200	4500	698
AZUD LUXON LPF 7300/40	40"	1000	8"	200	7300	1132
AZUD LUXON LPF 10400/48	48"	1200	10"	250	10400	1612
AZUD LUXON LPF 14000/56	56"	1400	12"	300	14000	2170
AZUD LUXON LPF 18700/64	64"	1600	12"	300	18700	2899
AZUD LUXON LPF 23600/72	72"	1800	14"	350	23600	3658
AZUD LUXON LPF 29100/80	80"	2000	16"	400	29100	4511

Ask for the rest of configurations in [www.azud.com](http://www.azud.com)

## MATERIAL

Housing of the filter	Carbon steel epoxy-polyester coated (S-235-JR EPOXY-POLYESTER coated)
Filtering element	Stainless Steel AISI-316-L.
Drainage Valve	Metalic

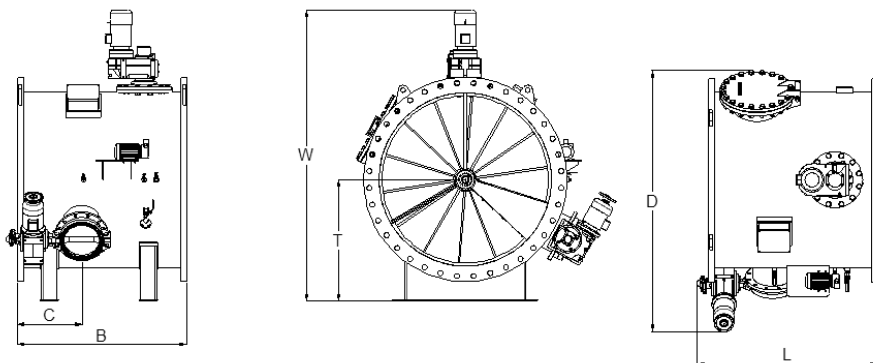
Control unit included 220 V AC, 380 V AC available

Max. Pressure 10 bar / 145 psi

Max. temperature 60°C / 140 F

Model	CONNECTION		FILTRATION				POTENCIA		FLUSHING CYCLE	
	Inlet - Outlet Flange		Filtering Surface		Max flow 1500 micron		Volumen		Volumen	
	"	mm	cm <sup>2</sup>	in <sup>2</sup>	m <sup>3</sup> /s	gpm	kw	hp	l	galons
AZUD LUXON LPF 1100/16	16"	400	1100	171	0,15	2378	1,48	1,98	600	159
AZUD LUXON LPF 1400/20	20"	500	1400	217	0,20	3170	1,48	1,98	1100	291
AZUD LUXON LPF 1800/24	24"	600	1800	279	0,30	4755	1,68	2,25	2070	547
AZUD LUXON LPF 2600/28	28"	700	2600	403	0,45	7133	1,75	2,35	2200	581
AZUD LUXON LPF 3500/32	32"	800	3500	543	0,65	10303	1,30	1,74	2445	646
AZUD LUXON LPF 4500/36	36"	900	4500	698	0,90	14265	2,10	2,82	3900	1030
AZUD LUXON LPF 7300/40	40"	1000	7300	1132	1,15	18228	2,57	3,45	4200	1110
AZUD LUXON LPF 10400/48	48"	1200	10400	1612	1,70	26946	3,35	4,49	6100	1611
AZUD LUXON LPF 14000/56	56"	1400	14000	2170	2,35	37248	3,70	4,96	8800	2325
AZUD LUXON LPF 18700/64	64"	1600	18700	2899	3,40	53891	4,30	5,76	9600	2536
AZUD LUXON LPF 23600/72	72"	1800	23600	3658	4,15	65779	5,20	6,97	11450	3025
AZUD LUXON LPF 29100/80	80"	2000	29100	4511	5,40	85592	6,00	8,04	14500	3830

The flow rate given by filter conditions the frequency of the flushing activation • Time flushing cycle: 90s.  
Ask for other filtration grades.



Model	DIMENSIONS											
	L		W		D		B		C		T	
	mm	"	mm	"	mm	"	mm	"	mm	"	mm	"
AZUD LUXON LPF 1100/16	990	39	1180	46	1010	40	950	37	380	15	350	14
AZUD LUXON LPF 1400/20	995	39	1280	50	1095	43	955	38	380	15	400	16
AZUD LUXON LPF 1800/24	1010	40	1380	54	1140	45	950	37	380	15	500	20
AZUD LUXON LPF 2600/28	1130	44	1570	62	1320	52	950	37	270	11	600	24
AZUD LUXON LPF 3500/32	1200	47	1630	64	1445	57	1200	47	515	20	600	24
AZUD LUXON LPF 4500/36	1245	49	1730	68	1525	60	1200	47	485	19	700	28
AZUD LUXON LPF 7300/40	1245	49	1945	77	1695	67	1200	47	485	19	800	31
AZUD LUXON LPF 10400/48	1430	56	2295	90	1985	78	1400	55	570	22	900	35
AZUD LUXON LPF 14000/56	1490	59	2395	94	2145	84	1400	55	535	21	1000	39
AZUD LUXON LPF 18700/64	1600	63	2680	106	2355	93	1600	63	645	25	1100	43
AZUD LUXON LPF 23600/72	1800	71	2875	113	2600	102	1800	71	835	33	1200	47
AZUD LUXON LPF 29100/80	1800	71	3070	121	2835	112	1800	71	800	31	1300	51