

SRA01W SERIES WIRELESS FAN COIL VALVE ACTUATOR

DESCRIPTION

SRA01W series wireless fan coil valve actuator consists of valve actuator and radio receiver. It used in the air-conditioning system matched with SRW01 series thermostat. The actuator receives radio signals from the thermostat and controls the valve to adjust the room temperature. Each actuator are matched to one thermostat in our factory, and controlled by the one and only thermostat.

The actuator can be matched with SR2000 series and SR2010 series valve bodies. They connect through screw connector. So the actuator can be installed after the valve. It is more convenient for installing and maintaining.

About code setting, please see the details in the specification of SRW01 series wireless thermostat.



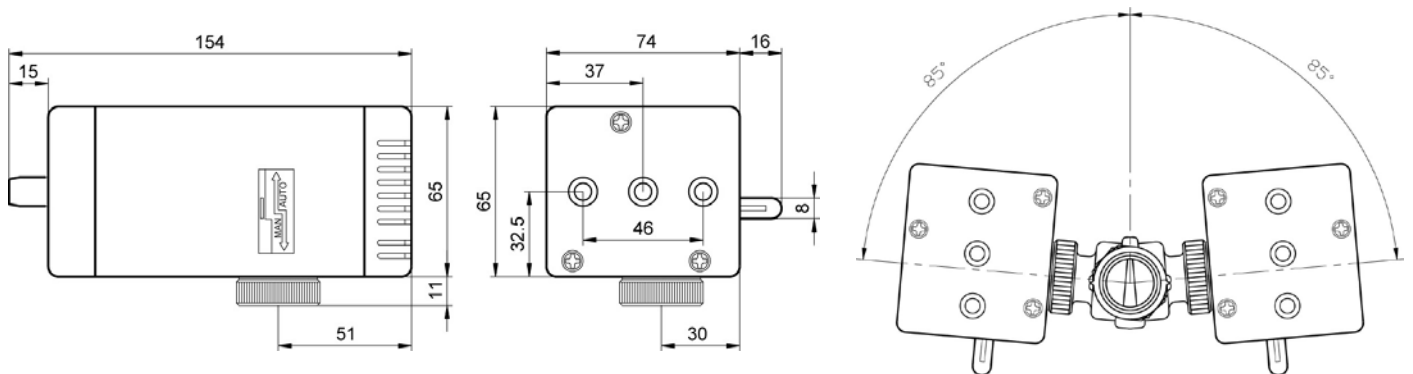
MATERIAL AND TECHNICAL DATA

MATERIAL	ACTUATOR COVER	Enhanced fiber glass engineering plastic
	ACTUATOR PLATE	Enhanced fiber glass engineering plastic
	SCREW CONNECTOR	Brass (HPb59-1)
AMBIENT HUMIDITY		100%
AMBIENT TEMPERATURE		0~50°C (32°F~122°F)
STORAGE TEMPERATURE		-20~+65°C (-4°F~+149°F) Max. RH: No condensation
PROTECTION CLASS		IP20

SRA01W WIRELESS ACTUATOR TECHNICAL DATA

MODEL	RATED VOLTAGE	POWER	RPM	DRIVING WAY	OPERATIONG TIME WHEN FIT WITH SRV2010 VALVE BODY
SRA01W-220	AC220V±10%	6W	4	Driven by Synchronous hysteresis motor, and returned by spring	Fully open duration: About 10 seconds when power-on; Closed duration: About 5 seconds when power-off
SRA01W-110	AC110V±10%				
SRA01W-024	AC24V±10%				

DIMENSIONS



INSTALLATION

When the valve is mounted on horizontal pipe, the angle must be positioned less than 85°
When the valve is mounted on vertical pipe, it must be prevented from dripping.

Move the manual operating lever slowly and hold in the retaining notch, and then the valve is in normal-opened position. When the valve is first powered on, the lever goes back to the automatic position again.