

SRD02 ON/OFF TYPE DAMPER ACTUATOR (2, 4, 6, 8Nm)

DESCRIPTION

SRD02 on/off type damper actuator uses bi-directional motor.

CHARACTERISTICS

● HIGH DEPENDABLE PERFORMANCE

— SRD02 on/off type damper actuator uses bi-directional magnetic clutch synchronous motor. It has overload protection function, and does not need limitator switch. The actuator will stop automatically, because the motor is clutched when it is operating to the end. And the damper actuator has a better precision adjustable mechanical limiter, and 1~2 auxiliary switches can be selected for optional.

— Adjustable limiter with precision of 15°.

— Optional overtime protection for longer motor life.

— 1 or 2 optional auxiliary switch(es), the function of which can be made by order. The operational angle of the damper actuator which has 2 limitators can be adjusted by setting the peak turnplate. The adjustable feedback position is larger than 60° on clockwise, and small than 30° on anti-clockwise. Please find the installation details at Fig.4. The default setting of one switch type is at 90°, and that of two switches type is at 0° and 90°.

— The 24 volt DC self-setting function is only for 24 volt AC damper actuator. It can supply enough power to let the damper actuator go back to 0°, when power supply is suddenly cut off.

● SIMPLE AND CONVENIENT FUNCTION TESTING

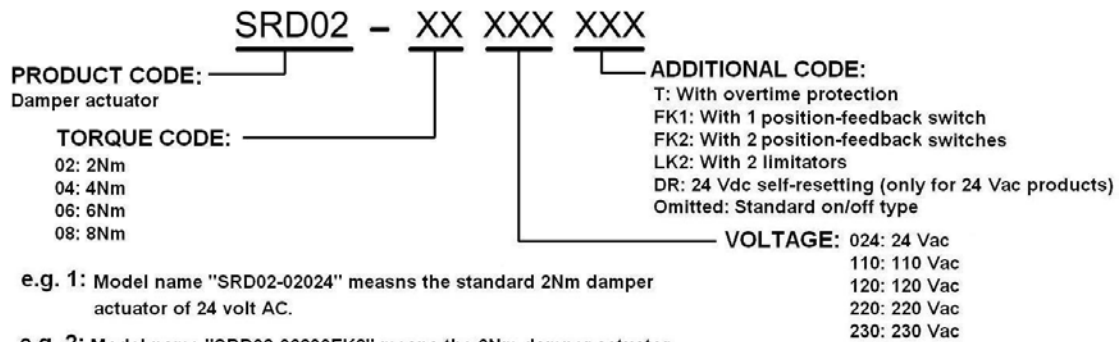
It is also convenient to test the function of damper operation: push the manual button on the actuator, the gearings inside the actuator will break away. The damper can be operated manually as keeping push the manual button.

PLEASE DO NOT OPERATE WHEN POWER IS ON!

● SIMPLE INSTALLATION

Square shaft type: Fix with square damper shaft. Damper shaft dimensions see below Dimension Diagram.

MODEL SELECTION



e.g. 1: Model name "SRD02-02024" means the standard 2Nm damper actuator of 24 volt AC.

e.g. 2: Model name "SRD02-06230FK2" means the 6Nm damper actuator of 230 volt AC, with 2 position-feedback switches.

e.g. 3: Model name "SRD02-04110T" means the 4Nm damper actuator of 110 volt AC, with overtime protection.

SPECIFICATIONS AND TECHNICAL DATA

MODEL	SRD02-02XXXXXX	SRD02-04XXXXXX	SRD02-06XXXXXX	SRD02-08XXXXXX
TORQUE	≥2Nm	≥4Nm	≥6Nm	≥8Nm
OPERATION TIME (50Hz, 90°)	≈72s	≈108s	≈108s	≈156s
CABLE	0.5~1.5mm ²			
ROTATE ANGLE	90° < Mechanical limitation ≤ 95°			
NOISE LEVEL	Maximum 45dB(A)			
IP CLASS	IP 40			
AMBIENT TEMP.	-5 °C~+50 °C			
STORAGE TEMP.	-30°C ~ +70 °C			
USEFUL LIFE	>60000 cycles			

* Power supply: rated voltage±10%

* Power consumption: 3VA for 24, 110 and 120 Vac; 6VA for 220 and 230Vac.



WIRING DIAGRAM

(Normal model)

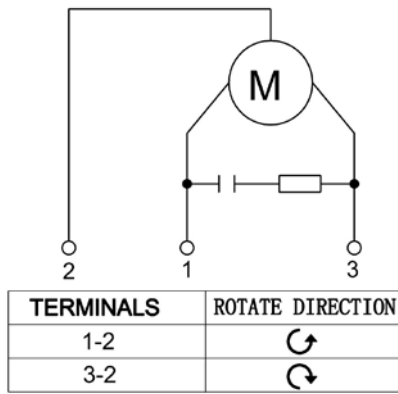


Fig.1-1

(Model with position feedback)

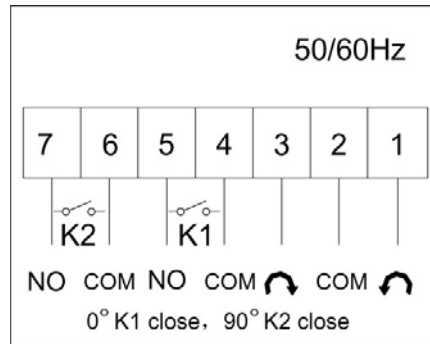


Fig.1-2

(Model with limiter)

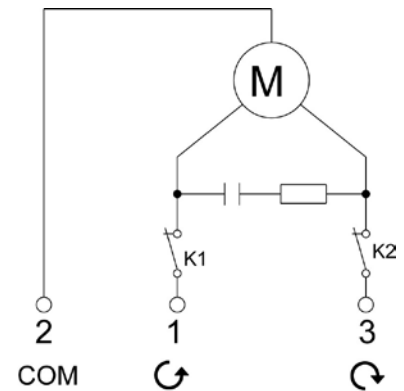


Fig.1-3

DIMENSIONS (mm)

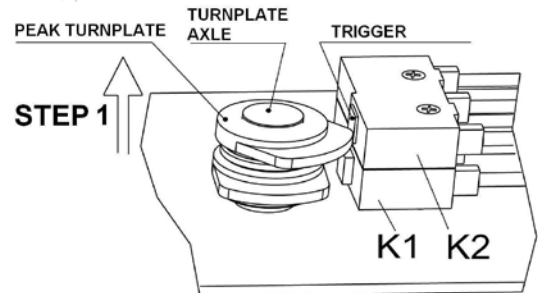
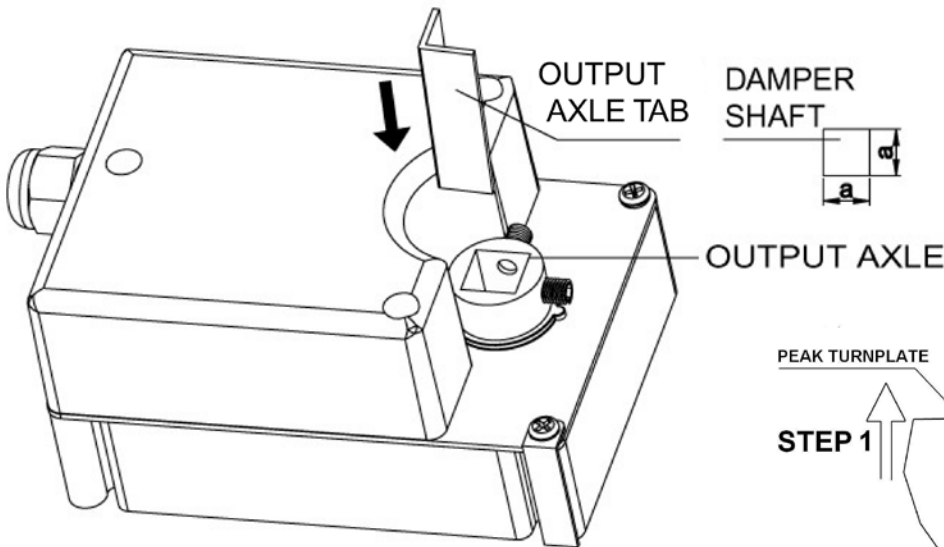
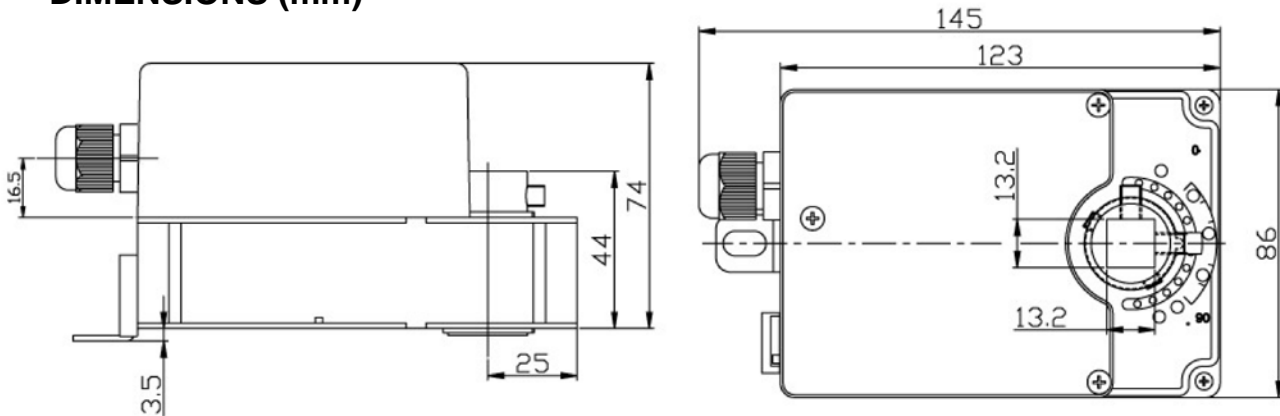


Fig.4

DAMPER SHAFT DIMENSION	a=13mm	a=10mm
INSTALLATION INSTRUCTION	—	Before installation, Output Axle Tab should be put into the hole of Output Axle.

TESTING STEPS:

1. Take the peak turnplate out.
2. Turn the axle to the needed position, then put the peak turnplate back, make sure the peak is just against the trigger. (As Fig.4)

Note: Other sizes of aluminum gaskets can be made when the Damper Shaft dimension "a" is smaller than 10mm.

* The accessories include 2 limitative baffles, 2 baffle setscrews (M3×6), 1 actuator body setscrew (ST4.8×12.5), and 1 output axle tab.

! DO NOT OPERATE WHEN POWER IS ON!

D06	D07	D08	D09
060323	060705	060725	061220