

SR2010 SERIES DETACHABLE VALVE

DESCRIPTION

SR2010 Series motorized valve is constituted with SRA2010 series actuator and SRV2010 series valve body. It is used to control the opening or closing for the pipe in chilled/hot water system so to control the room temperature. The actuator is driven by hysteresis synchronous motor, and returned by spring. Valve is normally close. When the thermostat is asked to work, it will send a signal to the actuator to open the valve. After the valve is opened, the chilled/hot water will enter the coil, and cold/warm air will be supplied to the room. When the room temperature rises to the set point, the thermostat will send a signal to the actuator to cut off the power, and the spring will return to shut down the valve, so the water to the coil will be shut off. The room temperature is kept in the setting range all the time through the opening and closing the valve.

SR2010 series motorized valve has two types: normal-closed 2-way and mixing 3-way, and four sizes: DN15, DN20, DN25, DN32. There are eight models according to the different flow types and fluid characteristics.

The actuator is connected to the valve body by connecting nut. It can be mounted after the valve body. It is convenient-mounted and flexible wire-connection. The flat design of the actuator makes it can be mounted against the wall for saving more space. This product is reliable, long-life, and low noise. It also can be make a set with SR2000 series valve.



SRA2110 ACTUATOR
& SRV2X1X VALVE



SRA2100 ACTUATOR

MATERIAL AND TECHNICAL DATA

MODEL		SR2010 Series valve
MATERIAL	VALVE BODY	Forging brass
	VALVE STEM	Stainless steel (AISI302)
	SEAL MATERIAL	Nitrile butadiene rubber (NBR)
	ACTUATOR PLATE	PA Engineering plastic
	ACTUATOR COVER	Fireproof ABS engineering plastic (UL94V-0)
WORKING MEDIA		Chilled / Hot water
MEDIA TEMPERATURE		2~94°C(36~201°F)
HUMIDITY		100%
WORKING ENVIRONMENTAL TEMPERATURE		0~60°C (32°F~140°F)
STORAGE TEMPERATURE		-20~+65°C (-4°F~+149°F) Max. RH: No condensation
PROTECTION CLASS		IP20

SRA2010 ACTUATOR TECHNICAL DATA

MODEL	RATED VOLTAGE	POWER	RPM	DRIVING WAY	OPERATIONG TIME WHEN FIT WITH SRV2010 VALVE BODY
SRA2110-220	AC220V±10%	6W	4	Driven by Synchronous hysteresis motor, and returned by spring	Fully open duration: About 11 seconds when power-on; Closed duration: About 5 seconds when power-off
SRA2110-110	AC110V±10%				
SRA2110-24	AC24V±10%				

SRV2010 VALVE BODY TECHNICAL DATA

MODEL	TYPE	SIZE	Kv	CLOSING-OFF PRES. (KPa)	RATING PRES. (MPa)	FITTED ACTUATOR
SRV2210-15	Normally close 2-way	G1/2"	2.0	300	1.6	SRA2110-220 SRA2110-110 SRA2110-24
SRV2310-15	Mixing 3-way	G1/2"	2.0	300		
SRV2210-20	Normally close 2-way	G3/4"	2.8	150		
SRV2310-20	Mixing 3-way	G3/4"	2.8	150		SRA2100-220 SRA2100-110 SRA2100-24
*SRV2210-25	Normally close 2-way	G1"	4.6	60		
*SRV2310-25	Mixing 3-way	G1"	4.6	60		
*SRV2210-25	Normally close 2-way	G1"	4.6	120	1.6	SRA2100-220R3 SRA2100-110R3 SRA2100-24R3
*SRV2310-25	Mixing 3-way	G1"	4.6	120		
SRV2210-32	Normally close 2-way	G1 ^{1/4} "	10	100		
SRV2310-32	Mixing 3-way	G1 ^{1/4} "	10	100		

Notice: If you need to order DN25 valves marked with "*", please advise what kind of actuator you want.

DIMENSIONS

SIZE	DIMENSIONS(mm)	
	A	B
DN15 2-way	66	125
DN15 3-way	66	142
DN20 2-way	72	128
DN20 3-way	72	147
DN25 2-way	89	133
DN25 3-way	89	154
DN32 2-way	90	146
DN32 3-way	90	169

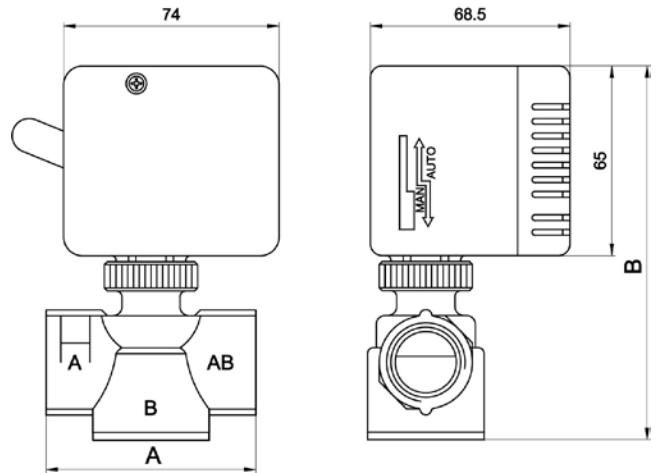


Fig. 1 Dimensions of SR2010

OPERATION INSTRUCTION

When the valve is mounted on horizontal pipe, the angle must be positioned less than 85° (See Fig. 2).

When the valve is mounted on vertical pipe, it must be prevented from dripping.

When installation, please note the arrow direction of the valve.

Move the manual operating lever slowly and hold in the retaining notch, and then the valve is in normal-opened position. When the valve is first powered on, the lever goes back to the automatic position again.

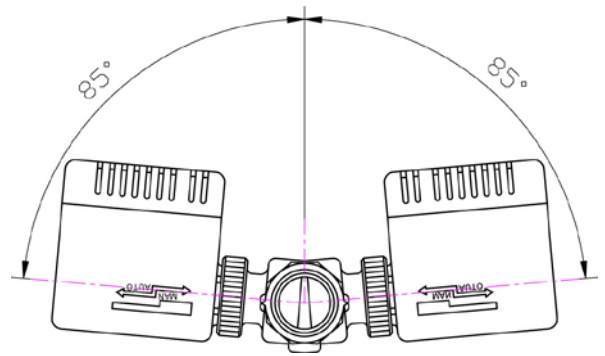


Fig. 2 Installation Position

INSTALLATION

Normal-closed 2-way and mixing 3-way valve are installed as Fig. 3 & 4. For high building, pressure-reducing valve should be installed on branch pipe at ground floor.

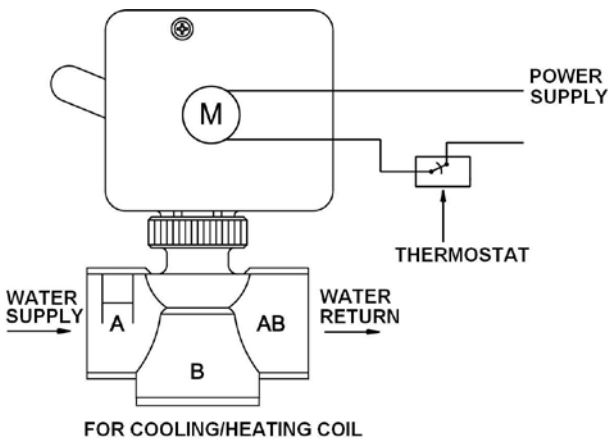


Fig. 3 2-Way Valve

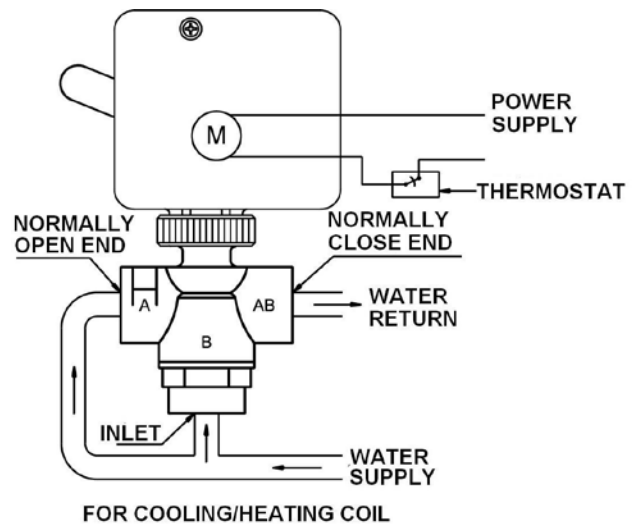


Fig. 4 3-Way Valve