



QUALITY Stainless Steel Centrifugal Pump Type 3 SERIES

APPLICATIONS

- Washing systems
- Water treatment systems
- Pumping of reasonably aggressive liquids
- Air-conditioning systems
- Heating systems
- Pressure boosting
- Ecological and food systems

SPECIFICATIONS

- Maximum working pressure : 10 bar
- Liquid temperature : from -10°C to 90°C standard
-20°C to +110°C in H version
- Capacity up to 132m³/h
- Head up to 72m

TECHNICAL FEATURES

- Robust hydraulic construction
- Versatile, capable of handling wide range of liquids
AISI 304 as standard; AISI 316 available upon request
- Volute casing for high efficiency
- With AISI 304 pump foot as standard
- Compact design
- Wide range of performances with 2-4 poles motor
- Standard dimension as ISO EN 733
- Back pull out design - easy to dismantle, pump casing remain to the pipework
- Standard mechanical seal DIN 24960 being used
- Standard IEC motor (3S - 3P version)
- Other customize solutions to meet all your pumping needs

TECHNICAL DATA

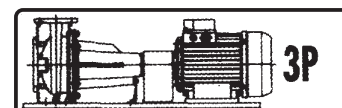
- Asynchronous 2 and 4 poles motor
- Insulation class F
- Protection degree IP55
- 3~230/400V ± 10% 50 Hz up to 4kW included,
400/690V ± 10% above
- Thermal protection to be provided by the user



monobloc with extended motor shaft



monobloc with standard motor and flexible coupling

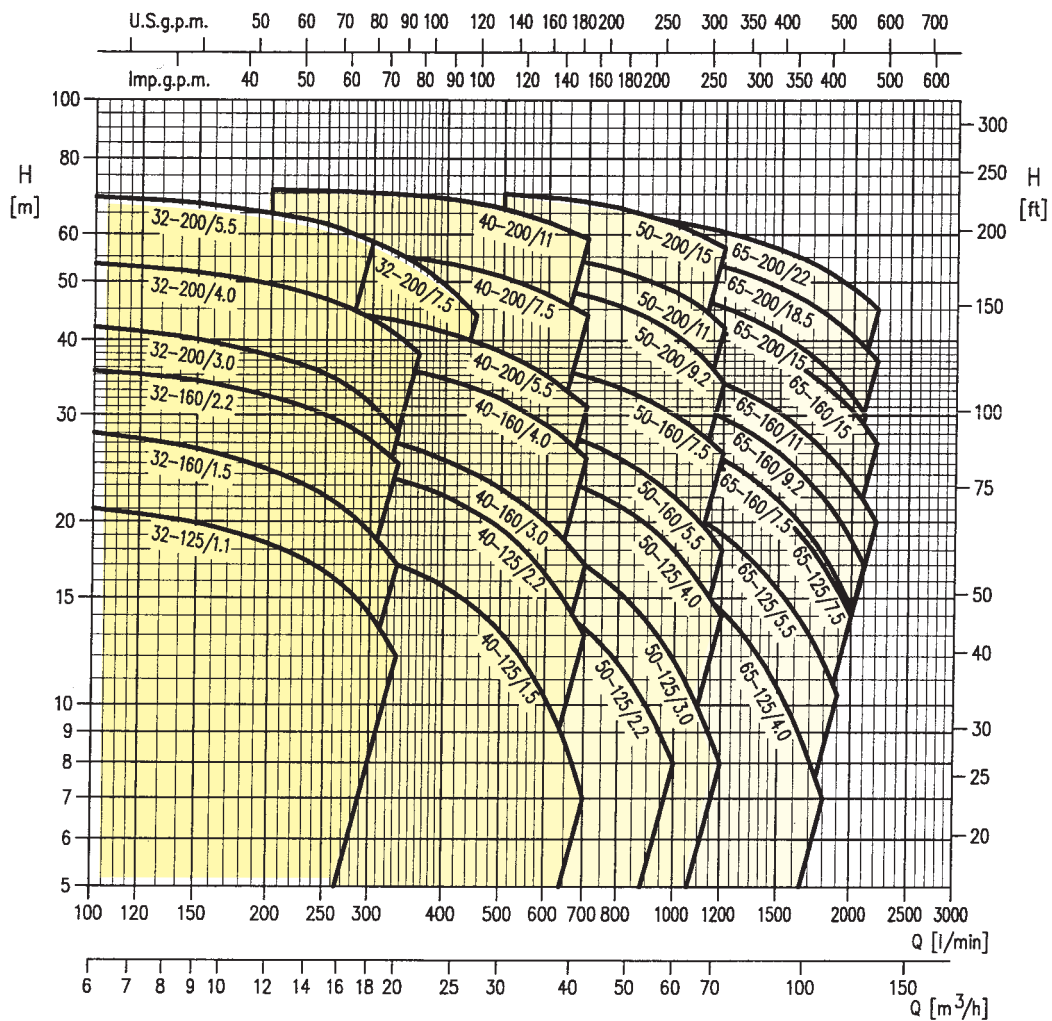


on basement with standard motor and flexible coupling



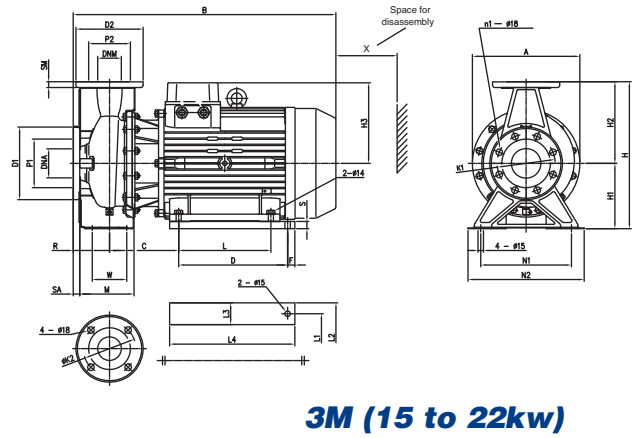
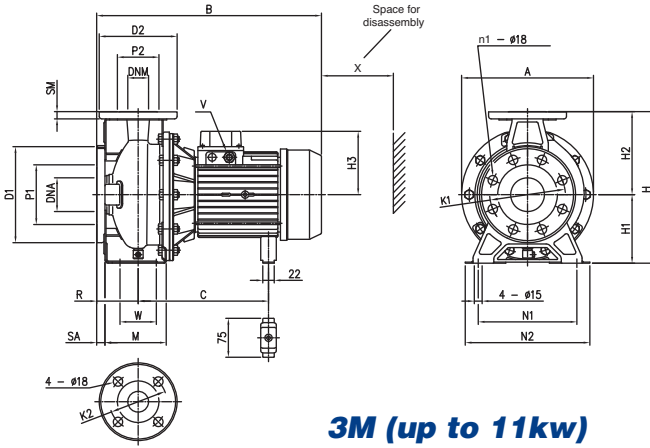
bareshaft pump

PERFORMANCE TABLE (2900 rpm)



PUMP			
Liquid Handled	Type of liquid	Clean water and moderately aggressive fluids	
	Temperature [°C]	min. -10° max. +90° standard max. +110° (3MH)-(3MHS)-(3LM)	
Maximum working pressure	[MPa]	1	
Construction	Impeller	Closed centrifugal type Reinforced laser welding for types 40-200/11, 50-200/25 Casting three dimensioned blades 3M 65	
	Shaft seal type	Mechanical seal	
	Bearing	Sealed ball bearing with permanent grease	
Pipe Connection	Suction-Flange	Flange to DIN 2532 (50mm-65mm-80mm)	
	Discharge-Flange	Flange to DIN 2532 (32mm-40mm-50mm-65mm)	
Material	Casing	AISI 304	
	Impeller	AISI 304 (bronze or micro Casting AISI 316L for 3M65)	
	Casing cover	AISI 304	
	Standard mechanical seal		Ceramic/Carbon/NBR (3M)
			Ceramic/Carbon/FPM (for 3MH)
			SiC/SiC/FPM (for 3MHS) (3LM)
Shaft	AISI 304 (Part in contact with liquid)		
Bracket	Cast Iron		
Applicable standard of test		ISO 9906-Annex A	

DIMENSIONAL TABLE



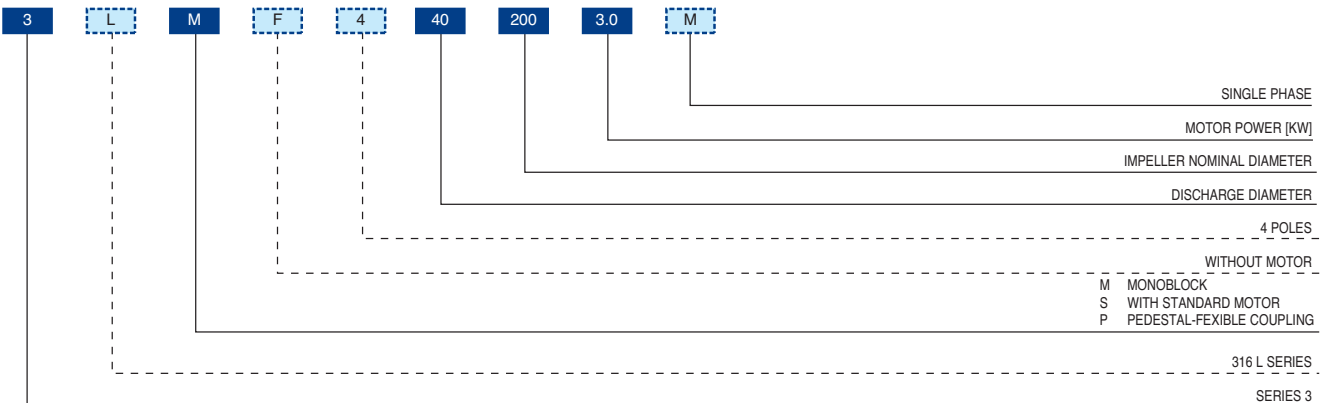
Model 3M	Dimensions (mm)																										Weight kg	
	Ø DNA	Ø DNM	Ø P1	n 1	Ø K1	Ø D1	Ø SA	Ø P2	Ø K2	Ø D2	Ø SM	H	H1	H2	H3	[3]	[4]	R	W	N1	M	N2	A	B	C	V		X
32-125/1.1 (M)	50	32	96	4	-	125	165	16	76	100	140	14	252	112	140	122	139	80	70	140	114	190	213	408	231	PG13.5	110	21.5
32-160/1.5 (M)	50	32	96	4	-	125	165	16	76	100	140	14	292	132	160	122	139	80	70	190	118	240	254	408	231	PG13.5	110	24.2
32-160/2.2 (M)	50	32	96	4	-	125	165	16	76	100	140	14	292	132	160	122	139	80	70	190	118	240	254	408	231	PG13.5	110	27.3
32-200/3.0	50	32	96	4	-	125	165	16	76	100	140	14	340	160	180	122	-	80	70	190	119	240	296	433	256	PG13.5	110	34.9
32-200/4.0	50	32	96	4	-	125	165	16	76	100	140	14	340	160	180	134	-	80	70	190	119	240	296	458	256	PG16	110	42.3
32-200/5.5	50	32	96	4	-	125	165	16	76	100	140	14	340	160	180	153	-	80	70	190	119	240	296	477	276	PG16	110	53.2
32-200/7.5	50	32	96	4	-	125	165	16	76	100	140	14	340	160	180	153	-	80	70	190	119	240	296	520	276	PG16	110	65
40-125/1.5 (M)	65	40	116	4	-	145	185	16	81	110	150	14	252	112	140	122	139	80	70	160	114	210	213	408	231	PG13.5	115	22.3
40-125/2.2 (M)	65	40	116	4	-	145	185	16	81	110	150	14	252	112	140	122	139	80	70	160	114	210	213	408	231	PG13.5	115	24.7
40-160/3.0	65	40	116	4	-	145	185	16	81	110	150	14	292	132	160	122	-	80	70	190	118	240	254	433	255	PG13.5	115	30
40-160/4.0	65	40	116	4	-	145	185	16	81	110	150	14	292	132	160	134	-	80	70	190	118	240	254	458	255	PG16	115	37.6
40-200/5.5	65	40	116	4	-	145	185	16	81	110	150	14	340	160	180	153	-	100	70	212	139	265	296	497	278	PG16	115	54.5
40-200/7.5	65	40	116	4	-	145	185	16	81	110	150	14	340	160	180	153	-	100	70	212	139	265	296	520	224	PG16	115	61.6
40-200/11	65	40	116	4	-	145	185	16	81	110	150	14	340	160	180	181	-	100	70	212	139	265	296	577	224	PG21	115	73.8
50-125/2.2 (M)	65	50	116	4	-	145	185	16	96	125	165	16	292	132	160	122	139	100	70	190	138	240	254	428	231	PG13.5	125	30
50-125/3.0	65	50	116	4	-	145	185	16	96	125	165	16	292	132	160	122	-	100	70	190	138	240	254	453	255	PG13.5	125	31.5
50-125/4.0	65	50	116	4	-	145	185	16	96	125	165	16	292	132	160	134	-	100	70	190	138	240	254	478	255	PG16	125	37.6
50-160/5.5	65	50	116	4	-	145	185	16	96	125	165	16	340	160	180	153	-	100	70	212	139	265	296	497	278	PG16	125	54
50-160/7.5	65	50	116	4	-	145	185	16	96	125	165	16	340	160	180	153	-	100	70	212	139	265	296	520	224	PG16	125	61.1
50-200/9.2	65	50	116	4	-	145	185	16	96	125	165	16	360	160	200	181	-	100	70	212	139	265	296	582	239	PG21	125	67.5
50-200/11	65	50	116	4	-	145	185	16	96	125	165	16	360	160	200	181	-	100	70	212	139	265	296	582	239	PG21	125	73.5
65-125/4	80	65	134	8	4	160	200	18	115	145	185	16	340	160	180	139	-	100	95	212	149.5	280	254	483	253	PG16	145	40
65-125/5.5	80	65	134	8	4	160	200	18	115	145	185	16	340	160	180	150	-	100	95	212	149.5	280	254	496	275	PG16	145	52
65-125/7.5	80	65	134	8	4	160	200	18	115	145	185	16	340	160	180	150	-	100	95	212	149.5	280	254	540	275	PG16	145	58.5
65-160/7.5	80	65	134	8	4	160	200	18	115	145	185	16	360	160	200	150	-	100	95	212	149.5	280	296	540	275	PG16	145	62
65-160/9.2	80	65	134	8	4	160	200	18	115	145	185	16	360	160	200	177.5	-	100	95	212	149.5	280	296	593	356	PG21	145	67
65-160/11	80	65	134	8	4	160	200	18	115	145	185	16	360	160	200	177.5	-	100	95	212	149.5	280	296	593	356	PG21	145	75.6

[1] Standard [2] On request

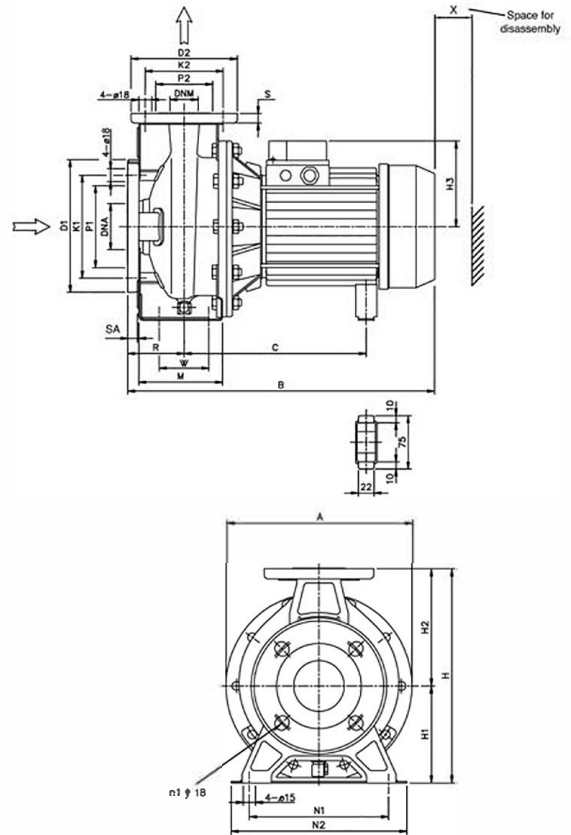
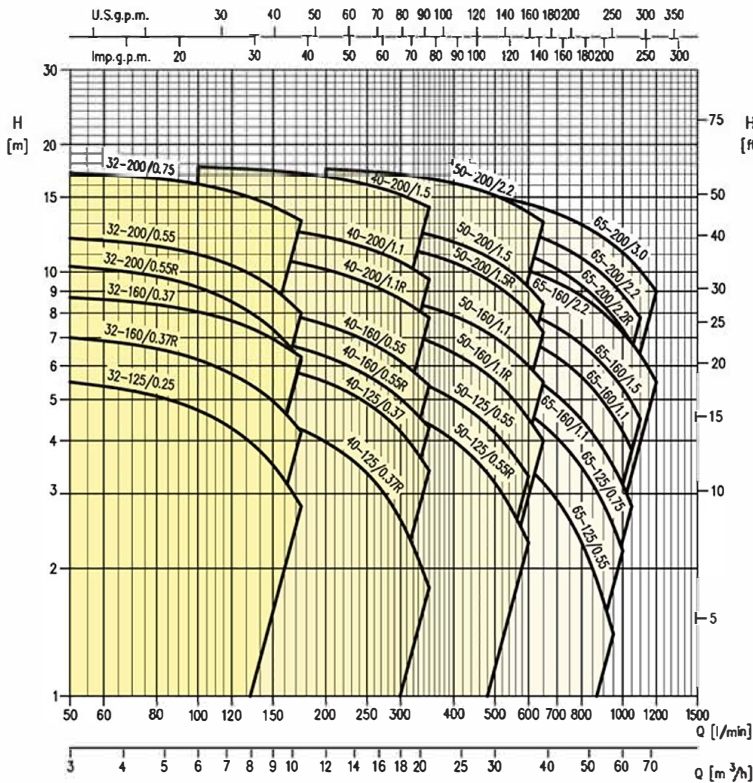
Model 3M	Dimensions (mm)																										Weight kg							
	Ø DNA	Ø DNM	Ø P1	n 1	Ø K1	Ø D1	Ø SA	Ø P2	Ø K2	Ø D2	Ø SM	H	H1	H2	H3	R	W	N1	M	N2	A	B	L	L1	L2	L3		L4	C	D	F	S	X	
50-200/15	65	50	116	4	-	145	185	16	96	125	165	16	360	160	200	222	100	70	212	139	265	296	723.5	254	254	318	65	304	190.5	-	-	-	125	96
65-160/15	80	65	134	8	4	160	200	18	115	145	185	16	360	160	200	222	100	95	212	149.5	280	296	733	254	254	318	65	304	199.5	-	-	-	145	93
65-200/15	80	65	134	8	4	160	200	18	115	145	185	16	405	180	225	222	100	95	250	149.5	320	296	733	-	258	318	60	345	199.5	300	20	20	145	114
65-200/18.5	80	65	134	8	4	160	200	18	115	145	185	16	405	180	225	222	100	95	250	149.5	320	296	733	-	258	318	60	345	199.5	300	20	20	145	127
65-200/22	80	65	134	8	4	160	200	18	115	145	185	16	405	180	225	222	100	95	250	149.5	320	286	733	-	258	318	60	345	199.5	300	20	20	145	136

[1] Standard [2] On request

TYPE KEY



PERFORMANCE TABLE (1450 rpm)



Model 3M4	Dimensions (mm)																				Weight kg					
	ODNA	ODNM	n1		OK1	OP1	OD2	OK2	OP2	A	B	C	H	H1	H2	H3	M	N1	N2	R		S	OD1	SA	W	X
32-125/0.25	50	32	4	-	125	96	140	100	76	213	375	205	252	112	140	104	114	140	190	80	14	165	16	70	110	15.0
32-160/0.37R	50	32	4	-	125	96	140	100	76	254	395	222	292	132	160	117	118	190	240	80	14	165	16	70	110	20.0
32-160/0.37	50	32	4	-	125	96	140	100	76	254	395	222	292	132	160	117	118	190	240	80	14	165	16	70	110	20.0
32-200/0.55R	50	32	4	-	125	96	140	100	76	294	395	223	340	160	180	117	119	190	240	80	14	165	16	70	110	25.0
32-200/0.55	50	32	4	-	125	96	140	100	76	294	395	223	340	160	180	117	119	190	240	80	14	165	16	70	110	25.0
32-200/0.75	50	32	4	-	125	96	140	100	76	294	408	232	340	160	180	122	119	190	240	80	14	165	16	70	110	29.3
32-200/0.37R	65	40	4	-	145	116	150	110	81	213	375	205	252	112	140	104	114	160	210	80	14	185	16	70	115	15.0
40-125/0.37	65	40	4	-	145	116	150	110	81	213	375	205	252	112	140	104	114	160	210	80	14	185	16	70	115	15.0
40-160/0.55R	65	40	4	-	145	116	150	110	81	254	395	222	292	132	160	117	118	190	240	80	14	185	16	70	115	20.0
40-160/0.55	65	40	4	-	145	116	150	110	81	254	395	222	292	132	160	117	118	190	240	80	14	185	16	70	115	20.0
40-200/1.1R	65	40	4	-	145	116	150	110	81	294	428	232	340	160	180	122	115	212	265	100	14	185	16	70	115	30.0
40-200/1.1	65	40	4	-	145	116	150	110	81	294	428	232	340	160	180	122	115	212	265	100	14	185	16	70	115	30.0
40-200/1.5	65	40	4	-	145	116	150	110	81	294	428	232	340	160	180	122	115	212	265	100	14	185	16	70	115	32.2
50-125/0.55R	65	50	4	-	145	116	165	125	96	254	415	222	292	132	160	117	114	190	240	100	16	185	16	70	125	20.0
50-125/0.55	65	50	4	-	145	116	165	125	96	254	415	222	292	132	160	117	114	190	240	100	16	185	16	70	125	20.0
50-160/1.1R	65	50	4	-	145	116	165	125	96	296	428	232	340	160	180	122	115	212	265	100	16	185	16	70	125	30.0
50-160/1.1	65	50	4	-	145	116	165	125	96	296	428	232	340	160	180	122	115	212	265	100	16	185	16	70	125	30.0
50-200/1.5R	65	50	4	-	145	116	165	125	96	296	428	232	360	160	200	122	115	212	265	100	16	185	16	70	125	30.0
50-200/1.5	65	50	4	-	145	116	165	125	96	296	428	232	360	160	200	122	115	212	265	100	16	185	16	70	125	30.0
50-200/2.2	65	50	4	-	145	116	165	125	96	296	478	256	360	160	200	134	115	212	265	100	16	185	16	70	125	31.8
65-125/0.55	80	65	8	4	160	134	185	145	115	254	415	219	340	160	180	117	149.5	212	280	100	16	200	18	95	145	22.9
65-125/0.75	80	65	8	4	160	134	185	145	115	254	427	230	340	160	180	123.5	149.5	212	280	100	16	200	18	95	145	27.8
65-125/1.1	80	65	8	4	160	134	185	145	115	254	427	230	340	160	180	123.5	149.5	212	280	100	16	200	18	95	145	28.1
65-160/1.1	80	65	8	4	160	134	185	145	115	296	427	230	360	160	200	123.5	149.5	212	280	100	16	200	18	95	145	30.8
65-160/1.5	80	65	8	4	160	134	185	145	115	296	483	253	360	160	200	123.5	149.5	212	280	100	16	200	18	95	145	32.6
65-160/2.2	80	65	8	4	160	134	185	145	115	296	483	253	360	160	200	139	149.5	212	280	100	16	200	18	95	145	37.8
65-200/2.2R	80	65	8	4	160	134	185	145	115	296	483	253	405	180	225	139	149.5	250	320	100	16	200	18	95	145	38.5
65-200/2.2	80	65	8	4	160	134	185	145	115	296	483	253	405	180	225	139	149.5	250	320	100	16	200	18	95	145	38.7
65-200/3.0	80	65	8	4	160	134	185	145	115	296	483	253	405	180	225	139	149.5	250	320	100	16	200	18	95	145	43.3

[1] Standard [2] On request

*All specifications are subject to change without prior notice.



Summer Air-Conditioning Engineering Sdn. Bhd.

32, Jalan TS 6/6, Taman Industri Subang,
47510 Petaling Jaya, Selangor, Malaysia.

Tel : +603-8011 6461

Fax : +603-5637 0193

H/P : +6019-2230287

Email : stevenkek@gmail.com

Website: www.summerac.com



Authorised dealer: