

SINRO®

Sinro Controls

HVAC PRODUCTS



Motorized Ball Valve



SINRO®



COMPANY INTRODUCTION

SINRO Controls Co., Ltd

Found in 1992, Sinro Controls Co., Ltd has been specialized in designing and manufacturing automatic control products for central heating ventilation and air conditioning system. With over 15000m² manufacturing facilities, a comprehensive test laboratory and over 300 experienced staff, our annual turnover exceeded USD17 Million.

Sinro Controls has been a certified ISO9000 organization since 1996. All our products are designed to the standard of CE, UL, CSA and/or other authorities as required. In return, many famous and reputable companies worldwide became long term partners of Sinro Controls.

Sinro Controls will commit itself to focus on providing a comfortable environment and earth friendly products.

SUCCESSFUL PROJECTS



Grand Gateway Plaza



National Centre for the Performing Arts



Water Cube



Guangzhou University City



Guangzhou Baiyun International Airport

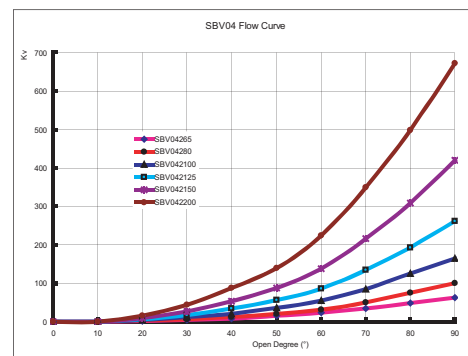
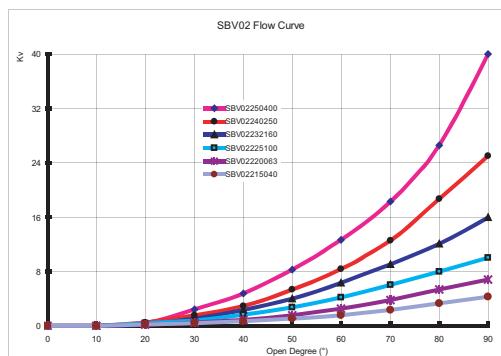


Westin Guangzhou Hotel

Ball Valve can't be modulating!

Yes, it can be!

Patent Design on ball valve by Sinro, can achieve Equal Percentage Flow Characteristic.



- High Closing-off Pressure and Body Pressure
- Small Resistance of Flow, no easy jam
- Optimal Sealing Performance
- With Manual Lever and Opening Degree Indication
- Comprehensive Range

Full port or Characteristic opening 2-way / 3-way valve.

Brass or cast iron valve.

½", ¾", 1", 1¼", 1½", 2", 2½" 3", 4", 5" or 6" valves.

BSPF, NPSC or Flanged connection types.

Actuator can be electric on/off, floating or 0~10V control.

24VAC, 110VAC, 220VAC, 50/60Hz power supply models are available.

Motorized Ball Valve (DN15~DN50)

2-way / 3-way motorized ball valve

APPLICATION

Widely used in HVAC system to control the flow of chilled / hot medium.



DN15~DN25



DN32~DN50

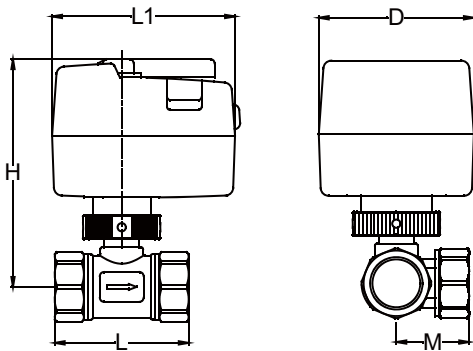
ACTUATOR TECHNICAL DATA

Model	For DN15~DN25 Valves	SBA03-024	SBA03-220	SBA03-024E
	For DN32~DN50 Valves	SBA04-024	SBA04-220	SBA04-024E
Power Supply		24VAC	220VAC	24VAC
Frequency		50/60Hz		
Power		3VA on load	5VA on load	4VA on load
Control Signal		3-point floating / electric on/off		DC(2)~10V DC4(0)~20mA
Default Setting		----		Input 0~10V DC Feedback 0~10V DC Running Status DA
Torque		SBA03 series (DN15~DN25)	≥ 4Nm	
		SBA04 series (DN32~DN50)	≥ 6Nm	
Stroke Time (0~90°)		SBA03 series (DN15~DN25)	≈45s (50Hz / 90°) / 90s for optional	
		SBA04 series (DN32~DN50)	≈60s (50Hz / 90°) / 120s for optional	
Rotation Angle		90° ≤ Mechanical Limitation < 95°		
Cable		0.5 ~ 1mm ²		
Material	Cover	Fire-retardent ABS engineering plastic		
	Chassis	Fire-retardent Reinforced nylon PA6 -110		
	Gear	POM, Fire-retardent Reinforced nylon PA6 -230, Brass HPb59 -1		
Temperature		Operate -5 ~ +50°C Storage -30 ~ +70°C		
Protection Class		IP54		

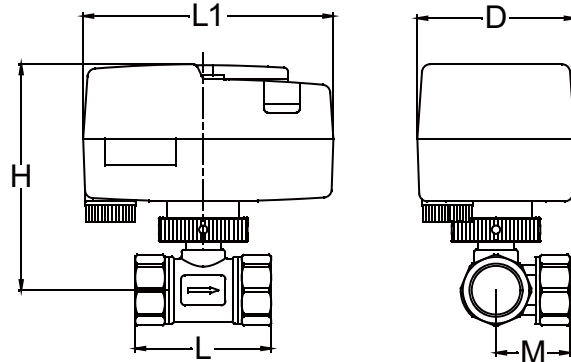
VALVE TECHNICAL DATA

Working Media	Chilled / hot water or ≤ 50% glycot
Media Temperature	2 ~ 94°C
Rated Body Pressure	PN25
Flow Characteristic	Equal Percentage
Leakage	A.B port 0~0.01%Kv AB port 0.5%Kv
Connection Type	Thread
Closing-off Pressure	600kPa
Rotation Angle	90°
Installation Level	Horizontal / vertical

Material	
Valve Body	Forged Brass
Valve Ball	Stainless Steel / Casing Brass (chrome-plate)
Valve Seat	PTFE
Valve Shaft	Stainless Steel / Forged Brass
Seal	NBR



DN15~DN25



DN32~DN50

MODEL SELECTION AND DIMENSION

Model	Size	Rated Body Pressure	Kv	Dimension (mm)						Matched Actuator
				L		H	M	L1	D	
				2-way	3-way					
SBV02G2*15040	DN15	PN25	4.0	68	68	115	33	92	77	SBA03 series
SBV02G2*20063	DN20		6.3	68	68	115	34			
SBV02G2*25100	DN25		10	82	84	120	43			
SBV02G2*32160	DN32		16	98	104	131	50	123	78	
SBV02G2*40250	DN40		25	105	111	131	50			
SBV02G2*50400	DN50		40	122	143	135	61			

All the data above are for 2-way valve, if you need to order 3-way valve, please change "2" into "3".

Motorized Ball Valve (DN65~DN150)

2-way motorized ball valve

APPLICATION

Widely used in HVAC system to control the flow of chilled / hot medium.



DN65~DN100



DN125~DN150

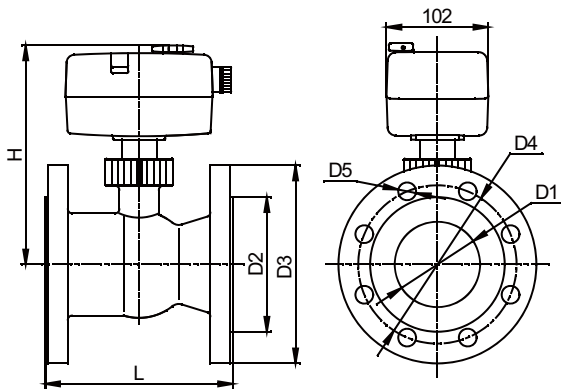
ACTUATOR TECHNICAL DATA

Model	for DN65~DN100 valves	SBA05-024	SBA05-220	SBA05-024E
	for DN125~DN150 valves	SBA06-024	SBA06-220	SBA06-024E
Power Supply (50/60Hz)		24VAC	220VAC	24VAC
Power	SBA05-024	4.5VA on load	8.5VA on load	5.5VA on load
	SBA06-024	10VA on load		11VA on load
Control Signal		3-point floating / electric on/off		DC0(2)~10V DC4(0)~20mA
Default Setting		—		Input 0~10V DC Feedback 0~10V DC Running Status DA
Torque		SBA05 series (DN65~DN100)	≥ 25Nm	
		SBA06 series (DN125~DN150)	≥ 65Nm	
Stroke Time (0~90°)		120s (50Hz)		
Rotation Angle		90° ≤ Mechanical Limitation < 95°		
Cable		0.5 ~ 1mm ²		
Material	Cover	Fire-retardent ABS engineering plastic		
	Chassis	Casting aluminium alloy		
	Gear	SBA05 series	POM、Steel	
SBA06 series		Brass, HPb59 -1, Steel(40Cr, 45)		
Temperature		Operate -5 ~ +50°C Storage - 30 ~ +70°C		
Protection Class		IP54		

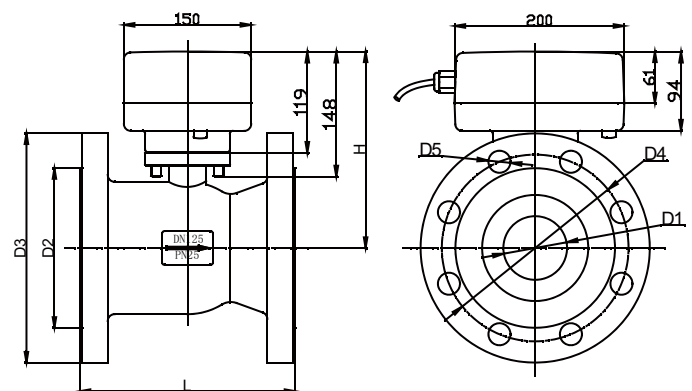
VALVE TECHNICAL DATA

Working Media	Chilled / hot water or ≤ 50% glycol
Media Temperature	2 ~ 94°C
Rated Body Pressure	PN16 / PN25
Flow Characteristic	Equal Percentage
Leakage	Less than 0~0.01%Kv
Connection Type	Flanged
Closing-off Pressure	600kPa
Rotation Angle	90°
Installation Level	Horizontal / vertical

Material	
Valve Body	Casting Iron
Valve Ball	Stainless Steel
Valve Seat	PTFE
Valve Shaft	Stainless Steel
Seal	NBR



DN65~DN100



DN125~DN150

MODEL SELECTION AND DIMENSION

Model	Size	Rated Body Pressure	(Kv)	Dimension (mm)							Matched Actuator
				L	H	D1	D2	D3	D4	D5	
SBV04F265064F*	DN65	PN16 (PN25)	64	190 (190)	216 (216)	82 (82)	120 (120)	185 (185)	145 (145)	18 (18)	SBA05 series
SBV04F280102F*	DN80		102	190 (190)	216 (216)	82 (82)	136 (136)	200 (200)	160 (160)	18 (18)	
SBV04F2100163F*	DN100		163	230 (230)	226 (226)	102 (102)	156 (162)	220 (236)	180 (190)	18 (23)	
SBV04F2125260F*	DN125		260	254 (254)	232 (232)	125 (125)	188 (188)	250 (270)	210 (220)	18 (26)	SBA06 series
SBV04F2150416F*	DN150		416	267 (267)	250 (250)	154 (154)	210 (215)	285 (300)	240 (250)	22 (26)	

"M" means body pressure is PN25, if you need to order PN16, please change "M" in to "F".

Note: The data inside "(" are for PN25 valve, Omitted are for PN16.



SINRO[®]

Web Site :sales@summerac.com
Email:stevenkek@gmail.com
Mobile:+6019-2230287
Tel:603-5637171/80116461
Contact:Steven Kek