



SNG 6008069

EUROFLOTM
where innovation flows



**Vertical In-line Close Coupled
Circulation Centrifugal Pumps**

EILM *series*



www.euroflopumps.com

Coding System

e.g. **EILM 40/3213 M BC A2-0055-B**

XXXX XXX/XXXXX X XX XX-XXXX-X

Series _____

EILM = Vertical In-line Pumps

Suction and discharge _____

Impeller dia. and performance _____

Seal type _____

M = Carbon - Ceramic/Viton M1 = Carbon - SiC/Viton (Optional)
 *P = Gland Packing M2 = Carbon - SiC/EPDM

Impeller/body casing material _____

BC = Bronze impeller and Cast Iron Body
 BD = Bronze impeller and Ductile Iron Body
 BB = Bronze impeller and Body
 CC = Cast Iron impeller and Body
 CD = Cast Iron impeller and Ductile Iron Body
 KK = SS316 impeller and Body
 KC = SS316 impeller and Cast Iron Body
 SS = SS304 impeller and Body
 SC = SS304 impeller and Cast Iron Body

Special code _____

S4 = SS304 Shaft **B2 = 60Hz / 2 Poles
 K6 = SS316 Shaft **B4 = 60Hz / 4 Poles
 **A2 = 50Hz / 2 Poles **C4 = 50Hz / 60Hz / 4 Poles (dual frequency)
 **A4 = 50Hz / 4 Poles **C2 = 50Hz / 60Hz / 2 Poles (dual frequency)
 **ZZ = Special Motor / Voltage

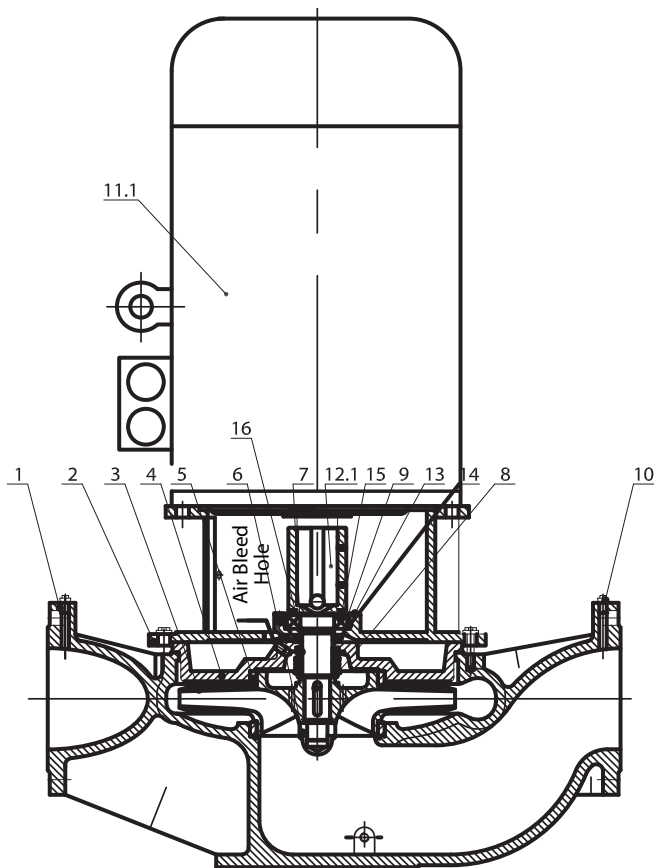
Motor Rating _____

eg.0005 = 0.55kW 0055 = 5.5kW
 0500 = 50kW
 5000 = 500kW

Motor Type _____

eg. Stub Shaft (B) Barepump
 Extended Shaft (M) Mitsugi Motor
 (S) Siemens Motor
 01 - Big Bearing
 02 - No Bearing

Introduction



Part No.	Part Name
16	Circlip for Shaft
15	Bearing
14	Flexible Washer
13	Bearing Cover
12.1	Pump Shaft
11.1	IEC Standard Motor
10	Screw Plug
9	Slinger
8	Seal Seat
7	Mechanical Seal
6	Impeller Nut
5	Wear Ring
4	Casing Cover
3	Impeller
2	Adapter
1	Volute Casing

EILM series vertical in-line centrifugal pump is designed, according to EN733/DIN24255.

The pumps are applicable for clean water, with wide range of application from water supply, environmental machinery, irrigation, mines, air-conditioning, fire fighting, and cooling towers. We have incorporated extra ball bearing near the Mech Seal to increase stabilities and strength. This allow pumps to operate at a wider range without affecting the seals and the motor bearings life due to vibration.

The closed coupled, stub shaft design allows for quick alignment of motor and pumps, at the same time allowing user all over the world to use their preferred motor brand purchased locally. We uses motor according to IEC standard.

Type: Vertical, Single Stage, Single Suction, In-Line Centrifugal Pump

Design: BS EN733/DIN24255 standard

Flange: DIN2501 (ISO7005.2 standard)
ANSI B16.5 Class 150LB optional

Rotation: Clockwise viewing from the drive side

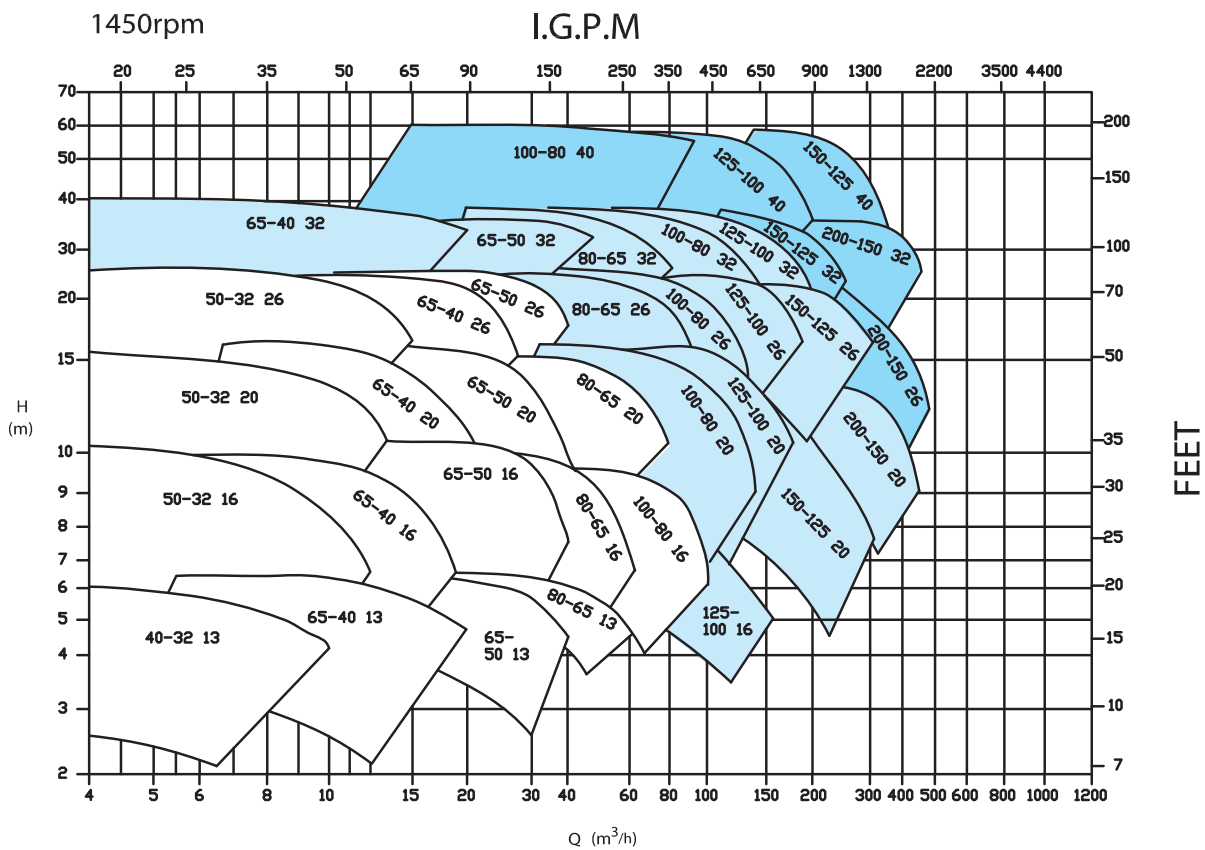
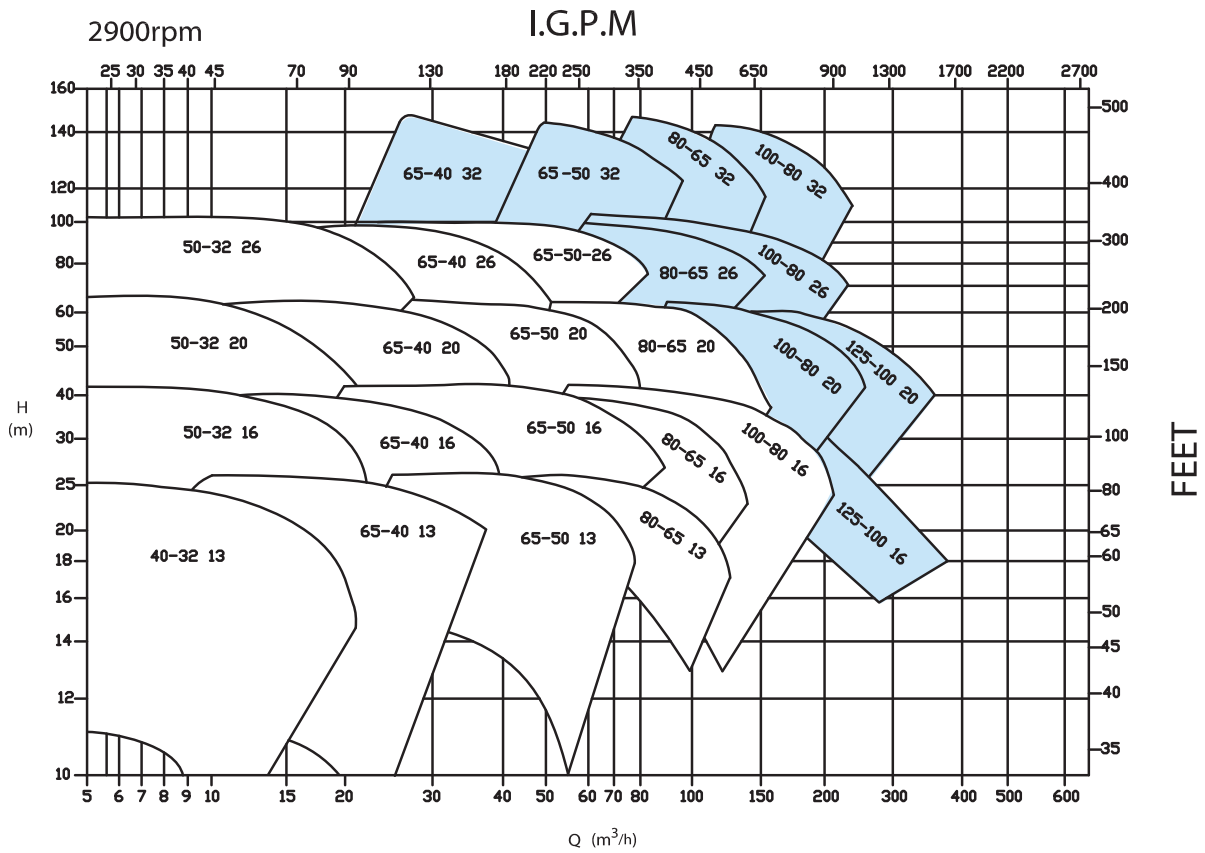
Material:

Casing: Cast Iron standard, ductile iron optional
Impeller: Bronze and Cast iron standard, Stainless steel optional
Shaft: SS420 standard, SS304 and SS316 optional
Shaft Seal: Mechanical seal (Carbon-Sic/Viton)

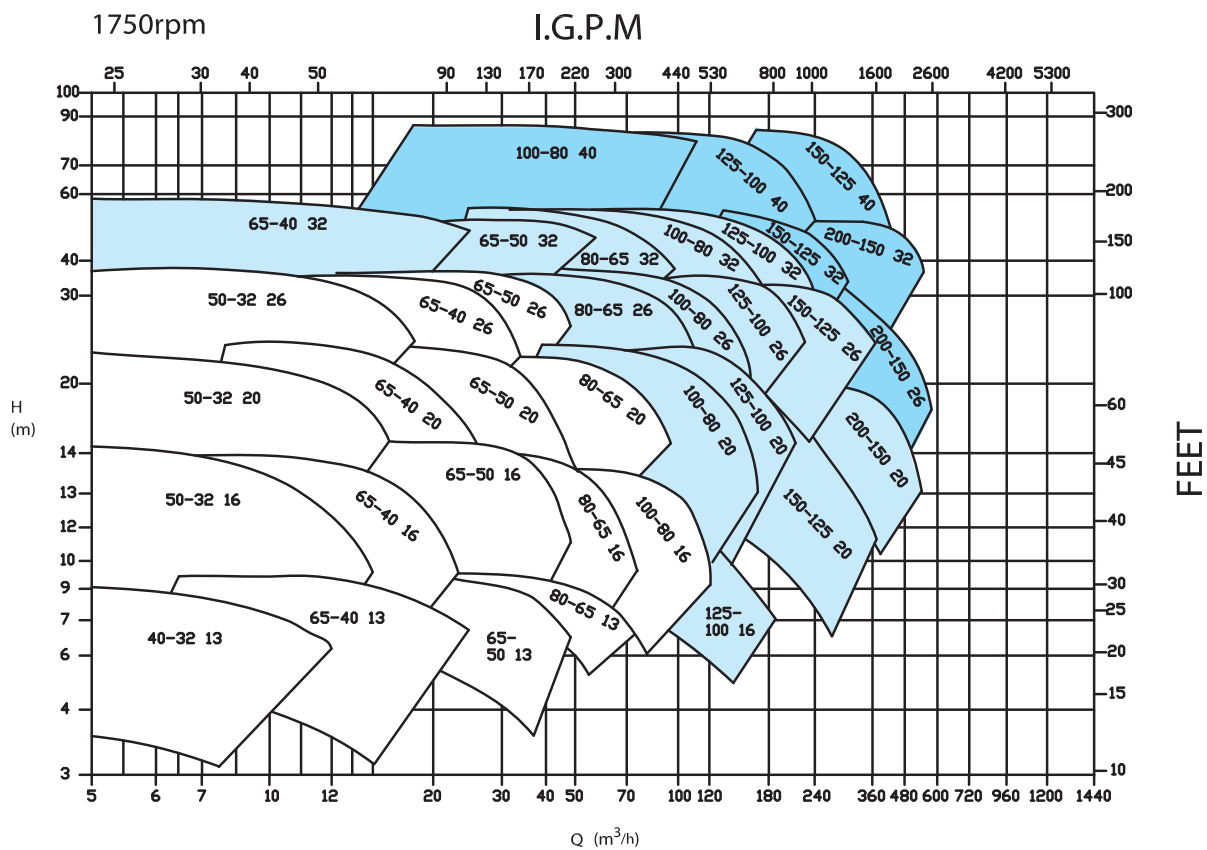
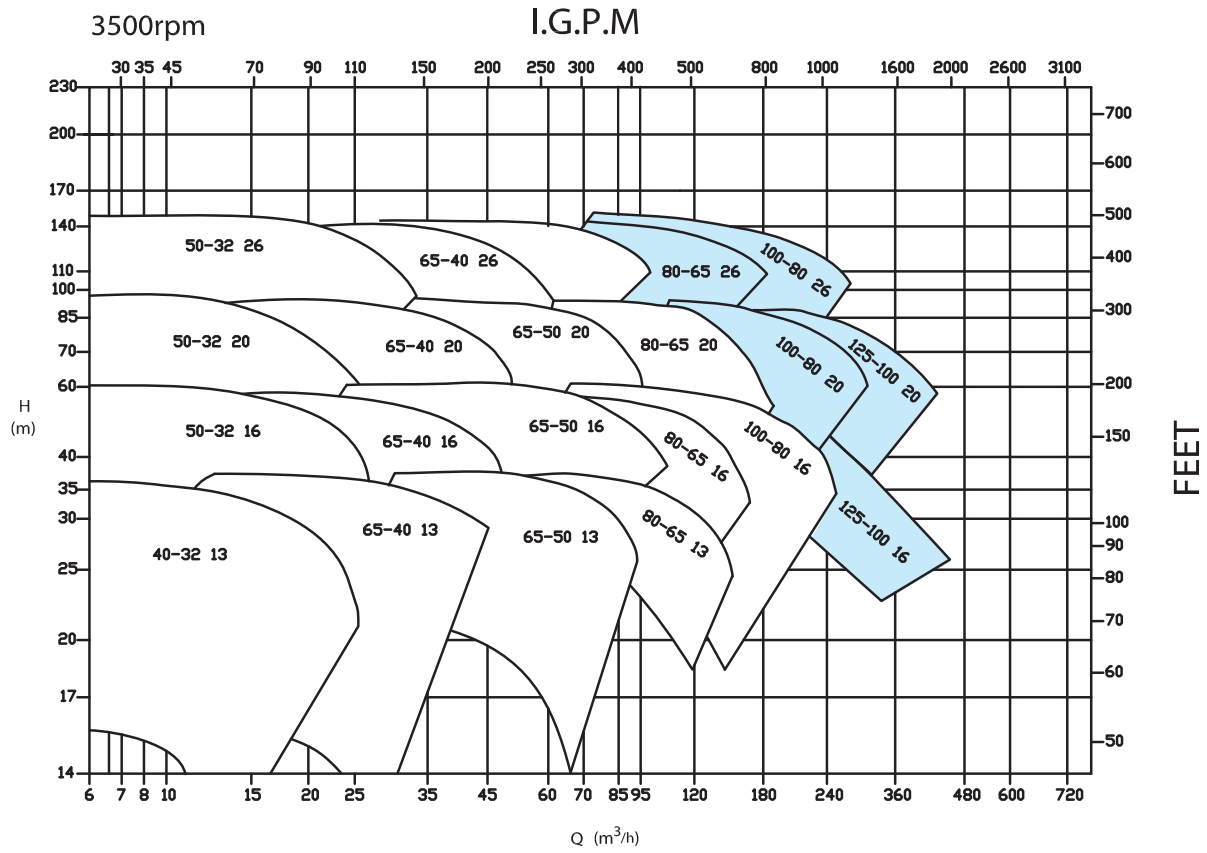
Operating range:

DN 25 - 300
Q 2 - 450m³/hr
O.P. up to 16bar standard
H up to 2 - 100m
Ns 1450 - 2900rpm (50hz)
1750 - 3600rpm (60Hz)
t -10° C to 105°

Performance Chart - 50Hz



Performance Chart - 60Hz



Performance Data - 50Hz, 2900RPM

no.	Model	Impeller dia.(mm)	Flow (m³/h)	Head (m)	Power (kw)	Motor type	Power (kw)
1	EILM40-3213-A2-0007	100	6.5	12.5	0.46	Y2-802-2	0.75
			10.8	11.3	0.55		
			12.9	10.2	0.59		
2	EILM40-3213-A2-0011	110	7.2	15.2	0.72	Y2-802-2	1.1
			12	13.5	0.81		
			14	12.5	0.87		
3	EILM40-3213-A2-0015	120	7.8	18	0.89	Y2-90S-2	1.5
			13	16.2	1.01		
			15.5	14.7	1.07		
4	EILM40-3213-A2-0022	130	8.5	21.2	1.04	Y2-90L-2	2.2
			14	19	1.23		
			17	17.2	1.32		
5	EILM40-3213-A2-0022	139	9	24.5	1.23	Y2-90L-2	2.2
			15	22	1.47		
			18	20	1.58		
6	EILM50-3216-A2-0022	135	8.5	22	1.28	Y2-90L-2	2.2
			14	20	1.59		
			17	19	1.76		
7	EILM50-3216-A2-0030	145	9	27.5	1.65	Y2-100L-2	3
			15	25	2.03		
			18	23.3	2.21		
8	EILM50-3216-A2-0040	155	9.8	31.4	1.93	Y2-112M-2	4
			16	29	2.38		
			19.5	26.5	2.61		
9	EILM50-3216-A2-0040	165	10.5	35.7	2.22	Y2-112M-2	4
			17	33	2.78		
			21	30	3.06		
10	EILM50-3216-A2-0055	174	11	40	2.5	Y2-132S1-2	5.5
			18	37	3.18		
			22	34	3.51		
11	EILM50-3220-A2-0055	175	9	40.5	2.91	Y2-132S1-2	5.5
			15	37.5	3.56		
			18	33.9	3.89		
12	EILM50-3220-A2-0075	185	9	45.5	3.38	Y2-132S2-2	7.5
			15	42.5	4.11		
			19	37.5	4.71		
13	EILM50-3220-A2-0075	195	10	50	4.05	Y2-132S2-2	7.5
			16.5	46.5	4.82		
			20	41.5	5.41		
14	EILM50-3220-A2-0075	205	10.5	55.7	4.54	Y2-132S2-2	7.5
			17	51	5.66		
			21	45	6.35		
15	EILM50-3220-A2-0110	214	11	60	5.3	Y2-160M1-2	11
			18	55	6.6		
			22	50	7.19		
16	EILM50-3226-A2-0150	225	11.9	65.4	4.95	Y2-160M2-2	15
			22.2	59.6	6.19		
			30.7	50.1	7.43		
17	EILM50-3226-A2-0150	235	12.5	71.3	5.64	Y2-160M2-2	15
			23.1	65	7.05		
			32	54.7	8.46		
18	EILM50-3226-A2-0150	245	13	77.5	6.39	Y2-160M2-2	15
			24.1	70.6	7.99		
			33.4	59.4	9.59		

no.	Model	Impeller dia.(mm)	Flow (m³/h)	Head (m)	Power (kw)	Motor type	Power (kw)
19	EILM50-3226-A2-0150	255	13.5	84	7.21	Y2-160M2-2	15
			25.1	76.5	9.01		
			34.8	64.4	10.8		
20	EILM50-3226-A2-0185	264	14	90	8.01	Y2-160L-2	18.5
			26	82	10.1		
			36	69	12.1		
21	EILM65-4013-A2-0015	100	12.9	12.9	0.86	Y2-90S-2	1.5
			21.7	11.8	1.07		
			25.8	10.8	1.22		
22	EILM65-4013-A2-0022	110	14.2	15.6	1.14	Y2-90L-2	2.2
			23.8	14.3	1.42		
			28.4	13	1.55		
23	EILM65-4013-A2-0030	120	15.5	18.5	1.48	Y2-100L-2	3
			26	17	1.85		
			31	15.5	2.01		
24	EILM65-4013-A2-0040	130	16.8	22	1.8	Y2-112M-2	4
			28	20.2	2.3		
			33.6	18.8	2.56		
25	EILM65-4013-A2-0040	139	18	25.5	2.08	Y2-112M-2	4
			30	23.5	2.74		
			36	21.5	3.03		
26	EILM65-4016-A2-0030	135	14	23.7	1.71	Y2-100L-2	3
			23	21	2.09		
			28	19	2.29		
27	EILM65-4016-A2-0040	145	15	27.4	2.11	Y2-112M-2	4
			25	24.3	2.59		
			30	21.9	2.84		
28	EILM65-4016-A2-0055	155	16	31.3	2.58	Y2-132S1-2	5.5
			26.7	27.8	3.16		
			32	25	3.46		
29	EILM65-4016-A2-0055	165	17	34.8	3.16	Y2-132S1-2	5.5
			28.5	30.5	3.82		
			34	27.6	4.19		
30	EILM65-4016-A2-0075	174	18	39.5	3.65	Y2-132S2-2	7.5
			30	35	4.47		
			36	31.5	4.9		
31	EILM65-4020-A2-0075	175	14.8	41.7	4	Y2-132S2-2	7.5
			24.7	38.2	5.04		
			29.6	34.9	5.43		
32	EILM65-4020-A2-0075	185	15.7	46.6	4.51	Y2-132S2-2	7.5
			26	42.8	5.73		
			31.3	39	6.18		
33	EILM65-4020-A2-0110	195	16.5	51.8	5.28	Y2-160M1-2	11
			27.5	47.5	6.71		
			33	43.3	7.24		
34	EILM65-4020-A2-0110	205	17	57.4	5.72	Y2-160M1-2	11
			29	52.4	7.46		
			34.5	48	8.05		
35	EILM65-4020-A2-0110	214	18	63	6.3	Y2-160M1-2	11
			30	58	8.17		
			36	53	8.96		
36	EILM65-4026-A2-0150	225	17	64	8.59	Y2-160M2-2	15
			28	60	10.8		
			34	54	11.58		

Performance Data - 50Hz, 2900RPM

no.	Model	Impeller dia.(mm)	Flow (m³/h)	Head (m)	Power (kw)	Motor type	Power (kw)
37	EILM65-4026-A2-0185	235	18	69	9.78	Y2-160L-2	18.5
			29	65	12.31		
			35	59	13.2		
38	EILM65-4026-A2-0185	245	18.5	76	11.1	Y2-160L-2	18.5
			30.5	71	14		
			37	64	15		
39	EILM65-4026-A2-0220	255	19.5	82	12.5	Y2-180M-2	22
			32	76.5	15.7		
			38.5	69	16.9		
40	EILM65-4026-A2-0220	264	20	88	13.9	Y2-180M-2	22
			33	82	17.5		
			40	74	18.7		
41	EILM65-4032-A2-0300	270	18.00	100.40	18.96	Y2-200L1-2	30
			29.80	93.60	21.68		
			36.00	84.00	24.32		
42	EILM65-4032-A2-0370	285	19.00	112.00	19.92	Y2-200L2-2	37
			31.40	104.00	24.16		
			38.00	94.00	27.04		
43	EILM65-4032-A2-0370	300	20.00	124.00	23.28	Y2-200L2-2	37
			33.00	116.00	28.16		
			40.00	104.00	31.52		
44	EILM65-4032-A2-0450	315	21.00	138.00	25.84	Y2-225M-2	45
			34.00	128.00	30.80		
			41.00	116.00	34.56		
45	EILM65-4032-A2-0450	329	22.00	152.00	28.48	Y2-225M-2	45
			36.00	140.00	33.84		
			43.00	128.00	38.40		
46	EILM65-5013-A2-0055	120	31	17.9	2.61	Y2-132S1-2	5.5
			52	15	3.3		
			62	14	3.53		
47	EILM65-5013-A2-0055	130	34	21	3.31	Y2-132S1-2	5.5
			56	18	4.15		
			67	16.6	4.49		
48	EILM65-5013-A2-0075	139	36	24	4.05	Y2-132S2-2	7.5
			60	20.5	5.07		
			72	18.9	5.49		
49	EILM65-5016-A2-0075	135	31	22.6	3.44	Y2-132S2-2	7.5
			50	20	4.16		
			60	16.8	4.59		
50	EILM65-5016-A2-0075	145	33	26	4.25	Y2-132S2-2	7.5
			54	23	5.14		
			65	19	5.71		
51	EILM65-5016-A2-0110	155	35.5	30	5.22	Y2-160M1-2	11
			58	26	6.28		
			70	21.5	6.97		
52	EILM65-5016-A2-0110	165	38	33.5	6.37	Y2-160M1-2	11
			61.5	30	7.61		
			74	24.7	8.4		
53	EILM65-5016-A2-0110	174	40	37.5	7.36	Y2-160M1-2	11
			65	33	8.89		
			78	27.5	9.85		
54	EILM65-5020-A2-0110	175	29.44	40.12	5.90	Y2-160M1-2	11
			49.07	35.78	7.97		
			58.88	32.10	9.03		

no.	Model	Impeller dia.(mm)	Flow (m³/h)	Head (m)	Power (kw)	Motor type	Power (kw)
55	EILM65-5020-A2-0150	185	31	45	6.96	Y2-160M2-2	15
			52	40	9.45		
			62	36	10.67		
56	EILM65-5020-A2-0150	195	33	49.5	8.25	Y2-160M2-2	15
			55	44	11.32		
			65	40	12.49		
57	EILM65-5020-A2-0185	205	34.5	55	9.48	Y2-160L-2	18.5
			57.5	49	12.81		
			69	44	14.52		
58	EILM65-5020-A2-0185	214	36	60	10.78	Y2-160L-2	18.5
			60	53.5	14.57		
			72	48	16.52		
59	EILM65-5026-A2-0220	225	34	64.5	12.49	Y2-180M-2	22
			55	59	16.62		
			68	52.5	18.59		
60	EILM65-5026-A2-0300	235	36	70	14.62	Y2-200L1-2	30
			58	64	18.79		
			71	57	21.18		
61	EILM65-5026-A2-0300	245	37	76.7	16.12	Y2-200L1-2	30
			60.3	70	21.08		
			74.2	62	24.01		
62	EILM65-5032-A2-0450	270	40	92	24.56	Y2-225M-2	45
			66	84	32.48		
			78	80	34		
63	EILM65-5032-A2-0550	285	42	104	27.12	Y2-250M-2	55
			69.4	96	36.32		
			83.2	88	40.08		
64	EILM80-6513-A2-0055	120	52	15	4.12	Y2-132S2-2	5.5
			86	10.5	4.43		
			103.5	6	4.63		
65	EILM80-6513-A2-0075	130	56	18	4.99	Y2-132S2-2	7.5
			94	12	5.83		
			112	7	5.88		
66	EILM80-6513-A2-0110	139	60	20.5	6.1	Y2-160M1-2	11
			100	14	6.88		
			120	8	7.19		
67	EILM80-6516-A2-0110	135	46	21.5	4.52	Y2-160M1-2	11
			77	16.6	5.68		
			93	13	6.14		
68	EILM80-6516-A2-0110	145	50	24.7	5.6	Y2-160M1-2	11
			83	19	7.05		
			100	15	7.6		
69	EILM80-6516-A2-0110	155	53	28	6.84	Y2-160M1-2	11
			89	22	8.61		
			107	17	9.38		
70	EILM80-6516-A2-0150	165	57	32	8.25	Y2-160M2-2	15
			95	24.7	10.38		
			114	20	11.35		
71	EILM80-6516-A2-0185	174	60	35.5	9.68	Y2-160L-2	18.5
			100	27.5	12.17		
			120	22	13.14		
72	EILM80-6520-A2-0150	175	54	37	9.56	Y2-160M2-2	15
			90	32	11.95		
			108	27	12.68		

Performance Data - 50Hz, 2900RPM

no.	Model	Impeller dia.(mm)	Flow (m ³ h)	Head (m)	Power (kw)	Motor type	Power (kw)	no.	Model	Impeller dia.(mm)	Flow (m ³ h)	Head (m)	Power (kw)	Motor type	Power (kw)
73	EILM80-6520-A2-0185	185	57	42	11.22	Y2-160L-2	18.5	92	EILM100-8020-A2-0450	214	115	54.5	28.29	Y2-225M-2	45
			95	36	14.13						190	46.5	36.17		
			114	30.5	15.28						225	41	40.02		
74	EILM80-6520-A2-0220	195	60	46.5	13.14	Y2-180M-2	22	93	EILM100-8026-A2-0550	225	98.00	65.20	29.28	Y2-250M-2	55
			100	40	16.55						162.00	55.32	37.28		
			120	33.7	17.55						196.00	47.20	40.40		
75	EILM80-6520-A2-0300	205	63	51.5	15.27	Y2-200L1-2	30	94	EILM100-8026-A2-0550	235	103.26	71.00	33.35	Y2-250M-2	55
			105	44	19.23						169.13	60.02	42.43		
			126	37.5	20.39						204.73	51.35	46.04		
76	EILM80-6520-A2-0300	214	66	56	17.37	Y2-200L1-2	30	95	EILM100-8026-A2-0750	245	107.65	77.17	37.79	Y2-280S-2	75
			110	48	21.87						176.33	65.45	48.08		
			132	40.6	23.19						213.45	55.81	52.18		
77	EILM80-6526-A2-0370	225	61	65.5	19.81	Y2-200L2-2	37	96	EILM100-8026-A2-0750	255	112.05	83.60	42.61	Y2-280S-2	75
			102	61	26.54						183.52	70.91	54.21		
			122	54	29.32						222.16	60.46	58.83		
78	EILM80-6526-A2-0370	235	64	71.3	22.57	Y2-200L2-2	37	97	EILM100-8032-A2-0750	270	98.48	84.86	41.79	Y2-280S-2	75
			107	66.5	30.28						164.13	70.04	52.00		
			128	58.7	33.39						196.96	57.92	55.98		
79	EILM80-6526-A2-0450	245	66	78	25.52	Y2-225M-2	45	98	EILM125-10016-A2-0300	180	151.2	30.4	19.12	Y2-200L1-2	30
			111.4	72	34.24						216	23.6	20.64		
			134	64	38.64						270	15.6	22		
80	EILM80-6526-A2-0550	255	69.4	84	28.88	Y2-250M-2	55	99	EILM125-10020-A2-0300	175	147.20	36.65	19.73	Y2-200L1-2	30
			116	78.4	38.64						232.24	28.09	23.84		
			140	68	42.64						278.04	21.67	25.77		
81	EILM80-6526-A2-0550	264	72	90	32	Y2-250M-2	55	100	EILM125-10020-A2-0370	185	155.61	40.95	23.31	Y2-200L2-2	37
			120	84	42.88						245.51	31.39	28.17		
			144	74	47.36						293.93	24.21	30.44		
82	EILM80-6532-A2-0550	270	60	100	34.96	Y2-250M-2	55	101	EILM125-10020-A2-0450	195	164.02	45.50	27.30	Y2-225M-2	45
			102	90.4	42.56						258.79	34.87	32.99		
			122	84	47.6						309.81	26.90	35.65		
83	EILM80-6532-A2-0750	285	64	110.8	40.32	Y2-280S-2	75	102	EILM125-10020-A2-0550	205	172.43	50.29	31.72	Y2-250M-2	55
			108	100	51.68						272.06	38.54	38.33		
			130	92	58.88						325.70	29.73	41.42		
84	EILM100-8016-A2-0150	145	83	22	8.76	Y2-160M2-2	15	103	EILM125-10020-A2-0550	214	180.00	54.80	36.08	Y2-250M-2	55
			135	17.5	10.75						284.00	42.00	43.60		
			162.5	10	11.57						340.00	32.40	47.12		
85	EILM100-8016-A2-0185	155	89	25.4	10.71	Y2-160L-2	18.5	86	EILM100-8016-A2-0220	165	95	29	12.91	Y2-180M-2	22
			144	20	13.13						154	22.5	15.83		
			174	11	14.14						185	13	17.05		
87	EILM100-8016-A2-0300	174	100	32	15.14	Y2-200L1-2	30	88	EILM100-8020-A2-0300	175	94	36.5	15.47	Y2-200L1-2	30
			162	25.3	18.57						155	31	19.78		
			195	14.4	20						184	27.4	21.89		
89	EILM100-8020-A2-0300	185	99	41	18.28	Y2-200L1-2	30	90	EILM100-8020-A2-0370	195	105	45	21.54	Y2-200L2-2	37
			164	34.8	23.37						173	38.6	27.36		
			195	30.5	25.96						205	34	30.28		

Performance Data - 50Hz, 1450RPM

no.	Model	Impeller dia.(mm)	Flow (m ³ h)	Head (m)	Power (kw)	Motor type	Power (kw)
1	EILM40-3213-A4-0005	139	4.5	5.9	0.16	Y2-801-4	0.55
			7.5	5.4	0.2		
			9	4.8	0.21		
2	EILM50-3216-A4-0005	174	6	9.5	0.35	Y2-801-4	0.55
			9	9	0.42		
			11	8.3	0.46		
3	EILM50-3220-A4-0011	205	5.8	13.7	0.61	Y2-90S-4	1.1
			8.6	12.9	0.72		
			10.5	12	0.79		
4	EILM50-3220-A4-0011	214	6	15	0.66	Y2-90S-4	1.1
			9	14	0.79		
			11	13.2	0.89		
5	EILM50-3226-A4-0022	245	6.5	19.4	1	Y2-100L1-4	2.2
			10	18.5	1.23		
			12	17.4	1.37		
6	EILM50-3226-A4-0022	255	6.3	21	1.12	Y2-100L1-4	2.2
			10.8	20	1.39		
			12.6	19	1.53		
7	EILM50-3226-A4-0030	264	7	22.5	1.25	Y2-100L2-4	3
			11	21.4	1.55		
			13	20.5	1.71		
8	EILM65-4013-A4-0007	139	9	6.3	0.3	Y2-802-4	0.75
			15	5.8	0.37		
			18	5.3	0.41		
9	EILM65-4016-A4-0011	174	9	9.7	0.5	Y2-90S-4	1.1
			15	8.5	0.58		
			18	7.6	0.64		
10	EILM65-4020-A4-0011	195	8.2	12.6	0.6	Y2-90S-4	1.1
			13.7	11.6	0.81		
			16.4	10.6	0.9		
11	EILM65-4020-A4-0015	205	8.6	14	0.69	Y2-90L-4	1.5
			14.4	12.9	0.91		
			17.2	11.8	1.02		
12	EILM65-4020-A4-0015	214	9	15.2	0.79	Y2-90L-4	1.5
			15	14	1.04		
			18	12.8	1.16		
13	EILM65-4026-A4-0022	225	8.5	16	1.23	Y2-100L1-4	2.2
			13.6	14.9	1.48		
			17	13.1	1.6		
14	EILM65-4026-A4-0022	235	8.9	17.4	1.36	Y2-100L1-4	2.2
			14.2	16.2	1.64		
			17.8	14.3	1.78		
15	EILM65-4026-A4-0030	245	9.3	18.9	1.49	Y2-100L2-4	3
			14.9	17.7	1.82		
			18.6	15.5	1.98		
16	EILM65-4026-A4-0030	255	9.66	20.5	1.64	Y2-100L2-4	3
			15.5	19.1	2.01		
			19.3	16.8	2.18		
17	EILM65-4026-A4-0030	264	10	22	1.77	Y2-100L2-4	3
			16	20.5	2.18		
			20	18	2.38		
18	EILM65-4032-A4-0040	270	9	25.1	2.37	Y2-112M-4	4
			14.9	23.4	2.71		
			18	21	3.04		
19	EILM65-4032-A4-0040	285	9.5	28	2.49	Y2-112M-4	4
			15.7	26	3.02		
			19	23.5	3.38		
20	EILM65-4032-A4-0055	300	10	31	2.91	Y2-132S-4	5.5
			16.5	29	3.52		
			20	26	3.94		
21	EILM65-4032-A4-0055	315	10.5	34.5	3.23	Y2-132S-4	5.5
			17	32	3.85		
			20.5	29	4.32		
22	EILM65-4032-A4-0055	329	11	38	3.56	Y2-132S-4	5.5
			18	35	4.23		
			21.5	32	4.8		

no.	Model	Impeller dia.(mm)	Flow (m ³ h)	Head (m)	Power (kw)	Motor type	Power (kw)
23	EILM65-5013-A4-0011	139	18	6	0.51	Y2-90S-4	1.1
			30	5.1	0.57		
			36	4.3	0.66		
24	EILM65-5016-A4-0015	174	20	9.6	0.87	Y2-90L-4	1.5
			32	8.3	1.11		
			38	7.2	1.21		
25	EILM65-5020-A4-0022	195	16	12.5	1.05	Y2-100L1-4	2.2
			27	11.3	1.39		
			33	9.5	1.57		
26	EILM65-5020-A4-0022	205	17	14	1.22	Y2-100L1-4	2.2
			29	12	1.62		
			34	11	1.79		
27	EILM65-5020-A4-0030	214	18	15	1.39	Y2-100L2-4	3
			30	13.4	1.83		
			36	11.6	2.07		
28	EILM65-5026-A4-0030	225	17	16.5	1.62	Y2-100L2-4	3
			27	14.6	2.05		
			32	13.6	2.25		
29	EILM65-5026-A4-0040	235	18	17.5	1.85	Y2-112M-4	4
			28.5	15.8	2.33		
			34	15	2.66		
30	EILM65-5026-A4-0040	245	19	19	2.19	Y2-112M-4	4
			30	17	2.65		
			35	16	2.91		
31	EILM65-5026-A4-0055	255	19	21	2.36	Y2-132S-4	5.5
			31	18.5	2.98		
			37	17	3.37		
32	EILM65-5026-A4-0055	264	20	22.5	2.62	Y2-132S-4	5.5
			32	20	3.31		
			38	18.5	3.63		
33	EILM65-5032-A4-0055	270	20	23	3.07	Y2-132S-4	5.5
			33	21	4.06		
			39	20	4.25		
34	EILM65-5032-A4-0075	285	21	26	3.39	Y2-132M-4	7.5
			34.7	24	4.54		
			41.6	22	5.01		
35	EILM65-5032-A4-0075	300	22	29	3.95	Y2-132M-4	7.5
			36.5	26.6	5.31		
			44	24	6.03		
36	EILM65-5032-A4-0110	315	23	32	4.57	Y160M-4	11
			38	29.5	6.14		
			46	27	6.75		
37	EILM65-5032-A4-0110	329	24	35	5.21	Y160M-4	11
			40	32	6.99		
			48	29.5	7.69		
38	EILM80-6513-A4-0015	139	30	5.1	0.74	Y2-90L-4	1.5
			50	3.5	0.86		
			60	1.4	0.91		
39	EILM80-6516-A4-0022	174	30	9	1.24	Y2-100L1-4	2.2
			50	6.9	1.52		
			60	5.5	1.65		
40	EILM80-6520-A4-0030	195	32	11.5	1.76	Y2-100L2-4	3
			50	10	2.08		
			60	8.5	2.18		
41	EILM80-6520-A4-0040	205	33	13	1.93	Y2-112M-4	4
			52.7	11	2.42		
			63	9.45	2.53		
42	EILM80-6520-A4-0040	214	35	14	2.19	Y2-112M-4	4
			55	12	2.75		
			66	10.3	2.88		
43	EILM80-6526-A4-0055	225	31	16	2.67	Y2-132S-4	5.5
			51	15.3	3.32		
			61	13.5	3.66		
44	EILM80-6526-A4-0055	235	32	18	2.82	Y2-132S-4	5.5
			53	16.7	3.78		
			64	14.7	4.18		

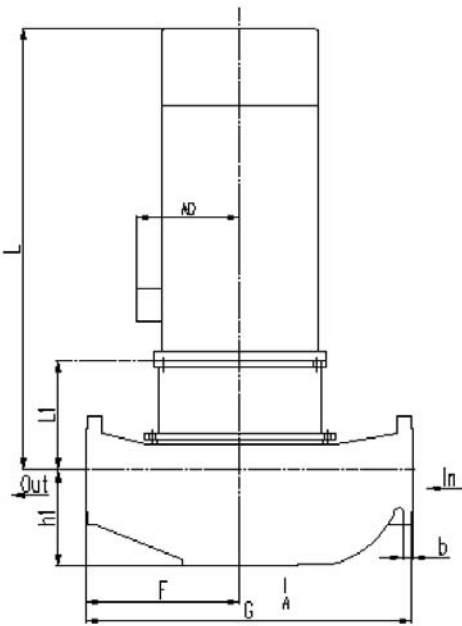
Performance Data - 50Hz, 1450RPM

no.	Model	Impeller dia.(mm)	Flow (m³/h)	Head (m)	Power (kw)	Motor type	Power (kw)	no.	Model	Impeller dia.(mm)	Flow (m³/h)	Head (m)	Power (kw)	Motor type	Power (kw)
45	EILM80-6526-A4-0055	245	33	19.5	3.19	Y2-132S-4	5.5	67	EILM100-8032-A4-0150	329	60	31.5	9.45	Y2-160L-4	15
			55.7	18	4.28						100	26	11.76		
			67	16	4.83						120	21.5	12.66		
46	EILM80-6526-A4-0075	255	34.7	21	3.61	Y2-132M-4	7.5	68	EILM100-8040-A4-0220	350	51.34	39.54	11.25	Y2-180L-4	22
			58	19.6	4.83						85.57	35.15	15.08		
			70	17	5.33						102.69	29.29	16.66		
47	EILM80-6526-A4-0075	264	36	22.5	4	Y2-132M-4	7.5	69	EILM100-8040-A4-0220	365	53.55	43.01	12.76	Y2-180L-4	22
			60	21	5.36						89.24	38.23	17.10		
			72	18.5	5.92						107.09	31.86	18.89		
48	EILM80-6532-A4-0075	270	30	25	4.37	Y2-132M-4	7.5	70	EILM100-8040-A4-0300	380	55.75	46.61	14.40	Y2-200L-4	30
			51	22.6	5.32						92.91	41.43	19.30		
			61	21	5.95						111.49	34.53	21.32		
49	EILM80-6532-A4-0110	285	32	27.7	5.04	Y2-160M-4	11	71	EILM100-8040-A4-0300	395	57.95	50.37	16.18	Y2-200L-4	30
			54	25	6.46						96.58	44.77	21.67		
			65	23	7.36						115.89	37.31	23.94		
50	EILM80-6532-A4-0110	300	34	30.5	6	Y2-160M-4	11	72	EILM100-8040-A4-0300	409	60	54	17.96	Y2-200L-4	30
			56.5	28	7.3						100	48	24.06		
			68	25.8	8.1						120	40	26.58		
51	EILM80-6532-A4-0110	315	37	33.4	6.73	Y2-160M-4	11	73	EILM125-10016-A4-0040	180	75.6	7.6	2.39	Y2-112M-4	4
			62	30.9	8.54						108	5.9	2.58		
			74.5	28	9.47						135	3.9	2.75		
52	EILM80-6532-A4-0150	329	40	37	7.46	Y2-160L-4	15	74	EILM125-10020-A4-0040	175	73.60	9.16	2.47	Y2-112M-4	4
			65	34	9.56						116.12	7.02	2.98		
			78	31	10.62						139.02	5.42	3.22		
53	EILM100-8016-A4-0030	174	50	8	1.89	Y2-100L2-4	3	75	EILM125-10020-A4-0055	185	77.80	10.24	2.91	Y2-132S-4	5.5
			81	6.3	2.32						122.76	7.85	3.52		
			97.5	3.6	2.5						146.96	6.05	3.81		
54	EILM100-8020-A4-0040	185	50	10	2.37	Y2-112M-4	4	76	EILM125-10020-A4-0055	195	82.01	11.38	3.41	Y2-132S-4	5.5
			82	8.7	2.95						129.39	8.72	4.12		
			97	7.6	3.22						154.91	6.73	4.46		
55	EILM100-8020-A4-0055	195	53	11	2.78	Y2-132S-4	5.5	77	EILM125-10020-A4-0075	205	86.21	12.57	3.96	Y2-132M-4	7.5
			86	9.7	3.45						136.03	9.64	4.79		
			102	8.5	3.75						162.85	7.43	5.18		
56	EILM100-8020-A4-0055	205	55	12.6	3.23	Y2-132S-4	5.5	78	EILM125-10020-A4-0075	214	90	13.7	4.51	Y2-132M-4	7.5
			91	10.6	4.01						142	10.5	5.45		
			107	9.4	4.35						170	8.1	5.89		
57	EILM100-8020-A4-0075	214	58	13.7	3.67	Y2-132M-4	7.5	79	EILM125-10026-A4-0110	225	80.97	16.92	6.26	Y2-160M-4	11
			95	11.6	4.56						126.14	15.47	7.68		
			112	10.2	4.95						149.15	14.16	8.23		
58	EILM100-8026-A4-0075	225	49	16.3	3.66	Y2-132M-4	7.5	80	EILM125-10026-A4-0110	235	84.56	18.46	7.14	Y2-160M-4	11
			81	13.83	4.66						131.74	16.88	8.75		
			98	11.8	5.05						155.78	15.45	9.38		
59	EILM100-8026-A4-0075	235	51.63	17.75	4.17	Y2-132M-4	7.5	81	EILM125-10026-A4-0150	245	88.16	20.07	8.09	Y2-160L-4	15
			84.56	15.01	5.30						137.35	18.34	9.91		
			102.37	12.84	5.76						162.41	16.79	10.63		
60	EILM100-8026-A4-0075	245	53.83	19.29	4.72	Y2-132M-4	7.5	82	EILM125-10026-A4-0150	255	91.76	21.74	9.12	Y2-160L-4	15
			88.16	16.36	6.01						142.95	19.87	11.17		
			106.72	13.95	6.52						169.03	18.19	11.99		
61	EILM100-8026-A4-0110	255	56.02	20.90	5.33	Y2-160M-4	11	83	EILM125-10026-A4-0150	264	95	23.3	10.12	Y2-160L-4	15
			91.76	17.73	6.78						148	21.3	12.4		
			111.08	15.11	7.35						175	19.5	13.3		
62	EILM100-8026-A4-0110	264	58.00	22.40	5.88	Y2-160M-4	11	84	EILM125-10032-A4-0150	270	66.47	24.25	7.47	Y2-160L-4	15
			95.00	19.00	7.52						110.79	21.55	10.09		
			115.00	16.20	8.16						132.95	18.86	11.30		
63	EILM100-8032-A4-0110	270	49.24	21.22	5.22	Y2-160M-4	11	85	EILM125-10032-A4-0150	285	70.17	27.01	8.78	Y2-160L-4	15
			82.07	17.51	6.50						116.95	24.01	11.86		
			98.48	14.48	7.00						140.33	21.01	13.29		
64	EILM100-8032-A4-0110	285	51.98	23.64	6.14	Y2-160M-4	11	86	EILM125-10032-A4-0185	300	73.86	29.93	10.24	Y2-180M-4	18.5
			86.63	19.51	7.64						123.10	26.61	13.84		
			103.95	16.13	8.23						147.72	23.28	15.50		
65	EILM100-8032-A4-0110	300	54.71	26.19	7.16	Y2-160M-4	11	87	EILM125-10032-A4-0220	315	77.55	33.00	11.86	Y2-180L-4	22
			91.19	21.62	8.92						129.26	29.33	16.02		
			109.42	17.88	9.60						155.11	25.67	17.95		
66	EILM100-8032-A4-0150	315	57.45	28.88	8.29	Y2-160L-4	15	88	EILM125-10032-A4-0300	329	81	36	13.51	Y2-200L-4	30
			95.74	23.83	10.32						135	32	18.25		
			114.89	19.71	11.11						162	28	20.45		

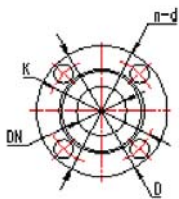
Performance Data - 50Hz, 1450RPM

no.	Model	Impeller dia.(mm)	Flow (m ³ /h)	Head (m)	Power (kw)	Motor type	Power (kw)	no.	Model	Impeller dia.(mm)	Flow (m ³ /h)	Head (m)	Power (kw)	Motor type	Power (kw)
89	EILM125-10040-A4-0300	350	77.02	38.81	15.07	Y2-200L-4	30	111	EILM150-12540-A4-0550	409	144	43	26.51	Y2-250M-4	55
			128.36	34.42	19.58						245	37	37.26		
			154.03	30.76	21.82						300	28.5	41.57		
90	EILM125-10040-A4-0300	365	80.32	42.21	17.09	Y2-200L-4	30	112	EILM200-15020-A4-0185	220	216	12	13.23	Y2-180M-4	18.5
			133.86	37.43	22.20						360	10	14.25		
			160.64	33.45	24.75						424.8	9	16.01		
91	EILM125-10040-A4-0370	380	83.62	45.75	19.29	Y2-225S-4	37	113	EILM200-15026-A4-0185	225	165.34	16.71	10.61	Y2-200L-4	18.5
			139.36	40.57	25.05						276.14	15.25	14.16		
			167.24	36.26	27.93						352.84	12.20	15.84		
92	EILM125-10040-A4-0370	395	86.92	49.43	21.66	Y2-225S-4	37	114	EILM200-15026-A4-0220	235	172.69	18.22	12.09	Y2-200L-4	22
			144.87	43.84	28.14						288.41	16.64	16.13		
			173.84	39.17	31.37						368.52	13.31	18.05		
93	EILM125-10040-A4-0450	409	90	53	24.05	Y2-225M-4	45	115	EILM200-15026-A4-0300	245	180.04	19.81	13.70	Y2-200L-4	30
			150	47	31.24						300.68	18.09	18.28		
			180	42	34.82						384.20	14.47	20.45		
94	EILM150-12520-A4-0110	195	104.79	11.21	5.42	Y2-160M-4	11	116	EILM200-15026-A4-0300	255	186.6	21.46	15.45	Y2-200L-4	30
			173.13	9.63	6.48						311.7	19.59	20.61		
			209.58	8.30	7.12						398.3	15.67	23.06		
95	EILM150-12520-A4-0110	205	110.16	12.39	6.29	Y2-160M-4	11	117	EILM200-15026-A4-0300	264	194	23	17.14	Y2-200L-4	30
			182.01	10.64	7.52						324	21	22.87		
			220.33	9.18	8.27						414	16.8	25.59		
96	EILM150-12520-A4-0110	214	115	13.5	7.16	Y2-160M-4	11	118	EILM200-15032-A4-0300	270	188.75	23.57	16.86	Y2-200L-4	30
			190	11.6	8.56						303.65	20.88	22.67		
			230	10	9.41						365.20	18.86	26.16		
97	EILM150-12526-A4-0150	225	122.73	16.34	8.74	Y2-160L-4	15	119	EILM165-5032-A4-0370	285	199.24	26.26	19.83	Y2-225S-4	37
			204.55	15.25	11.47						320.52	23.26	26.67		
			245.45	13.66	13.08						385.49	21.01	30.77		
98	EILM150-12526-A4-0185	235	128.18	17.83	9.96	Y2-180M-4	18.5	120	EILM200-15032-A4-0370	300	209.73	29.10	23.13	Y2-225S-4	37
			213.64	16.64	13.07						337.39	25.78	31.10		
			256.36	14.90	14.90						405.78	23.28	35.88		
99	EILM150-12526-A4-0185	245	133.64	19.38	11.29	Y2-180M-4	18.5	121	EILM200-15032-A4-0450	315	220.21	32.08	26.78	Y2-225M-4	45
			222.73	18.09	14.81						354.26	28.42	36.00		
			267.27	16.19	16.89						426.06	25.67	41.54		
100	EILM150-12526-A4-0220	255	139.09	20.99	12.72	Y2-180L-4	22	122	EILM200-15032-A4-0550	329	230	35	30.51	Y2-250M-4	55
			231.82	19.59	16.70						370	31	41.02		
			278.18	17.54	19.04						445	28	47.33		
101	EILM150-12526-A4-0300	264	144	22.5	14.12	Y2-200L-4	30	102	EILM150-12532-A4-0150	270	98.48	22.90	8.33	Y2-160L-4	15
			240	21	18.53						164.13	21.55	11.09		
			288	18.8	21.13						196.96	19.53	12.35		
103	EILM150-12532-A4-0185	285	103.95	25.51	9.80	Y2-180M-4	18.5	103	EILM150-12532-A4-0185	285	173.25	24.01	13.00	Y2-180M-4	18.5
			173.25	24.01	13.00						207.90	21.76	14.53		
			207.90	21.76	14.53						270.90	21.76	14.53		
104	EILM150-12532-A4-0220	300	109.42	28.27	11.43	Y2-180L-4	22	104	EILM150-12532-A4-0220	300	182.37	26.61	15.21	Y2-180L-4	22
			182.37	26.61	15.21						218.84	24.11	16.95		
			218.84	24.11	16.95						270.90	21.76	14.53		
105	EILM150-12532-A4-0300	315	114.89	31.17	13.24	Y2-200L-4	30	105	EILM150-12532-A4-0300	315	191.49	29.33	17.61	Y2-200L-4	30
			191.49	29.33	17.61						229.79	26.58	19.62		
			229.79	26.58	19.62						270.90	21.76	14.53		
106	EILM150-12532-A4-0300	329	120	34	15.08	Y2-200L-4	30	106	EILM150-12532-A4-0300	329	200	32	20.06	Y2-200L-4	30
			200	32	20.06						240	29	22.35		
			240	29	22.35						270.90	21.76	14.53		
107	EILM150-12540-A4-0300	350	123.23	31.49	16.61	Y2-200L-4	30	107	EILM150-12540-A4-0300	350	209.66	27.10	23.35	Y2-200L-4	30
			209.66	27.10	23.35						256.72	20.87	26.05		
			256.72	20.87	26.05						270.90	21.76	14.53		
108	EILM150-12540-A4-0370	365	128.51	34.25	18.84	Y2-225S-4	37	108	EILM150-12540-A4-0370	365	218.64	29.47	26.48	Y2-225S-4	37
			218.64	29.47	26.48						267.73	22.70	29.55		
			267.73	22.70	29.55						270.90	21.76	14.53		
109	EILM150-12540-A4-0450	380	133.79	37.12	21.26	Y2-225M-4	45	109	EILM150-12540-A4-0450	380	227.63	31.94	29.88	Y2-225M-4	45
			227.63	31.94	29.88						278.73	24.60	33.34		
			278.73	24.60	33.34						270.90	21.76	14.53		
110	EILM150-12540-A4-0550	395	139.07	40.11	23.88	Y2-250M-4	55	110	EILM150-12540-A4-0550	395	236.61	34.51	33.56	Y2-250M-4	55
			236.61	34.51	33.56						289.73	26.58	37.45		
			289.73	26.58	37.45						270.90	21.76	14.53		

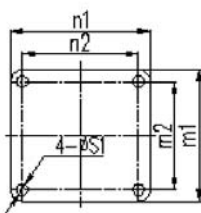
Installation Dimension - 50Hz, 2 Pole



Inlet Flange

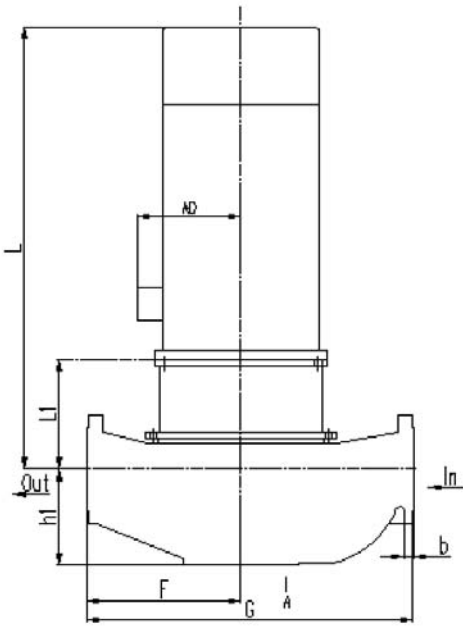


A Direction

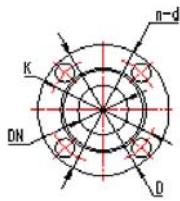


Item	Model	h1	L1	DN	F	G	L	AD	n2xm2	n1xm1	s1	D	K	n-d	b
1	EILM40-3213-A2-0007	113	152	40	150	310	407	145	170x200	200x230	12	150	110	18	
2	EILM40-3213-A2-0011						422	155							
3	EILM40-3213-A2-0015						447								
4	EILM40-3213-A2-0022						489								
5	EILM50-3216-A2-0022	118	164	50	160	320	504	190	170x200	200x230	14	165	125		
6	EILM50-3216-A2-0030						577								
7	EILM50-3216-A2-0040						576	210							
8	EILM50-3216-A2-0055						723								
9	EILM50-3220-A2-0055	128	186	50	210	420	733	255	170x200	200x230	14	185	145	20	
10	EILM50-3220-A2-0075						788								
11	EILM50-3220-A2-0110						723	210							
12	EILM50-3226-A2-0150						733	255							
13	EILM50-3226-A2-0185	138	218	65	230	470	788	280	170x200	200x230	14	185	145	20	
14	EILM65-4013-A2-0015						422	155							
15	EILM65-4013-A2-0022						447								
16	EILM65-4013-A2-0030						489	180							
17	EILM65-4013-A2-0040	164	187	65	260	520	504	190	170x200	200x230	12	185	145	20	
18	EILM65-4016-A2-0030						489	180							
19	EILM65-4016-A2-0040						504	190							
20	EILM65-4016-A2-0055						577	210							
21	EILM65-4016-A2-0075	138	218	65	260	520	577	210	170x200	200x230	14	185	145	20	
22	EILM65-4020-A2-0055						723	255							
23	EILM65-4020-A2-0075						733	255							
24	EILM65-4020-A2-0110						788	280							
25	EILM65-4026-A2-0150	155	187	80	290	590	818	280	170x200	200x230	12	200	160	25	
26	EILM65-4026-A2-0185						818	280							
27	EILM65-4026-A2-0220						818	280							
28	EILM65-5013-A2-0055						818	280							
29	EILM65-5013-A2-0075	160	220	80	260	540	577	210	170x200	200x230	14	200	160	25	
30	EILM65-5016-A2-0075						725	255							
31	EILM65-5016-A2-0110						725	255							
32	EILM65-5020-A2-0110						780	280							
33	EILM65-5020-A2-0150	158	220	80	290	600	723	255	170x200	200x230	12	220	180	24	
34	EILM65-5020-A2-0185						780	280							
35	EILM65-5026-A2-0220						778	280							
36	EILM65-5026-A2-0300						808	280							
37	EILM80-6513-A2-0055	168	237	100	290	590	881	305	170x200	200x230	14	220	180	24	
38	EILM80-6513-A2-0075						881	305							
39	EILM80-6513-A2-0110						881	305							
40	EILM80-6516-A2-0110						881	305							
41	EILM80-6516-A2-0150	188	222	100	290	600	897	305	170x200	200x230	12	220	180	24	
42	EILM80-6516-A2-0185						897	305							
43	EILM80-6520-A2-0150						897	305							
44	EILM80-6520-A2-0185						942	335							
45	EILM80-6520-A2-0220	220	237	125	330	680	808	280	170x200	200x230	18	250	210	26	
46	EILM80-6520-A2-0300						881	305							
47	EILM80-6526-A2-0370						881	305							
48	EILM100-8016-A2-0150						881	305							
49	EILM100-8016-A2-0185	188	222	100	290	600	810	280	170x200	200x230	14	220	180	24	
50	EILM100-8016-A2-0220						810	280							
51	EILM100-8016-A2-0300						839	305							
52	EILM100-8020-A2-0300						897	305							
53	EILM100-8020-A2-0370	234	237	125	330	680	942	335	170x200	200x230	18	250	210	26	
54	EILM100-8020-A2-0450						942	335							
55	EILM125-10016-A2-0220						942	335							
56	EILM125-10016-A2-0300						942	335							
57	EILM125-10020-A2-0300	220	237	125	330	680	897	305	170x200	200x230	18	250	210	26	
58	EILM125-10020-A2-0370						897	305							
59	EILM125-10020-A2-0450						942	335							

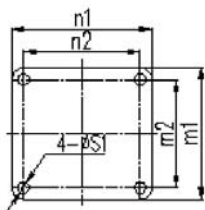
Installation Dimension - 50Hz, 4 Pole



Inlet Flange

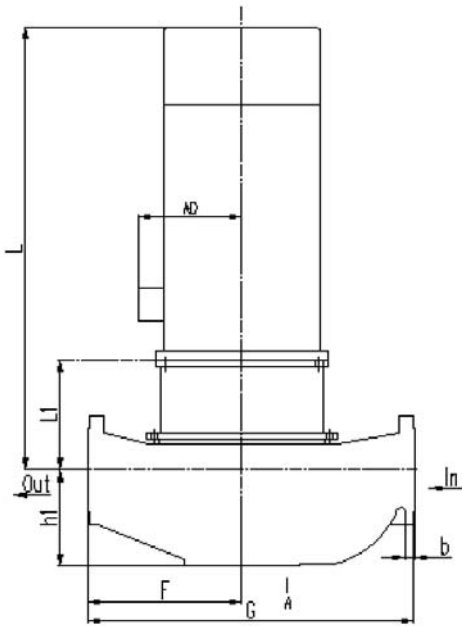


A Direction

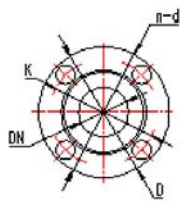


Item	Model	h1	L1	DN	F	G	L	AD	n2x2	n1x1	s1	D	K	n-d	b
1	EILM40-3213-A4-0005	113	152	40	150	310	407	145				150	110		18
2	EILM50-3216-A4-0005				160	320									
3	EILM50-3220-A4-0011		151		210	420	421	155							
4	EILM50-3226-A4-0022	118	173	50	230	470	498	180			12	165	125		
5	EILM50-3226-A4-0030										14				
6	EILM65-4013-A4-0075	128			175	360	407	145							
7	EILM65-4016-A4-0011		152		195	370	422				12				
8	EILM65-4020-A4-0011		151		240	480	421	155							
9	EILM65-4020-A4-0015						446								
10	EILM65-4026-A4-0022		138		260	520	498	180			14				
11	EILM65-4026-A4-0030		173												
12	EILM65-4032-A4-0040		179		290	580	519	190							
13	EILM65-4032-A4-0055		201				591	210						4-φ18	20
14	EILM65-5013-A4-0011	155			200	410	422				12	185	145		
15	EILM65-5016-A4-0015		152		220	440	477	155							
16	EILM65-5020-A4-0022		166	65	240	480	491		170x200	200x230					
17	EILM65-5020-A4-0030							180							
18	EILM65-5026-A4-0022		138				497				14				
19	EILM65-5026-A4-0030		174		260	520									
20	EILM65-5026-A4-0040						512	190							
21	EILM65-5026-A4-0055		197				587	210							
22	EILM65-5032-A4-0040		179				519	190							
23	EILM65-5032-A4-0055						591	210							
24	EILM65-5032-A4-0075	155			290	580	631	210							
25	EILM65-5032-A4-0110		231				736	255							
26	EILM80-6513-A4-0011		160	80	220	460	422	155							
27	EILM80-6513-A4-0015		152			447	447				12				25
28	EILM80-6516-A4-0022	158	164			480	489	180							
29	EILM80-6520-A4-0030	150	163		260	540	488				14	200	160		
30	EILM80-6520-A4-0040						503	190							
31	EILM80-6526-A4-0055	168	202		290	590	592								
32	EILM80-6526-A4-0075						632	210							22
33	EILM80-6532-A4-0075		201				631								
34	EILM80-6532-A4-0110	175			310	640	740	255	200x250	250x300	18				
35	EILM80-6532-A4-0150		235												
36	EILM100-8016-A4-0022		164	100	260	540	489	180			12				
37	EILM100-8016-A4-0030		179				519	190							
38	EILM100-8020-A4-0040				290	600	592		170x200	200x230					
39	EILM100-8020-A4-0055	188	202				632	210			14	220	180	8-φ18	24
40	EILM100-8020-A4-0075				310	630	739								
41	EILM100-8026-A4-0075		234												
42	EILM100-8026-A4-0110						740	255							
43	EILM100-8032-A4-0110	186	235		340	700	795		200x250	250x300	18				
44	EILM100-8032-A4-0150														
45	EILM100-8040-A4-0220		249		400	800	879	280		310x310	370x370				
46	EILM100-8040-A4-0300						909	305							
47	EILM125-10016-A4-0040		179	125		690	592	190	260x260	300x300	14				
48	EILM125-10020-A4-0040	220			330		519								
49	EILM125-10020-A4-0055		202			680	592	210							
50	EILM125-10020-A4-0075						632								
51	EILM125-10026-A4-0110		238		340	700	743								
52	EILM125-10026-A4-0150						798	255							
53	EILM125-10032-A4-0150	240	235				795		200x250	250x300	18	250	210		26
54	EILM125-10032-A4-0185				360	740	825	280							
55	EILM125-10032-A4-0220						865								
56	EILM125-10040-A4-0300	240	249	125			909	305							
57	EILM125-10040-A4-0370		284		380	810	964	335							
58	EILM125-10040-A4-0450						989								
59	EILM150-12520-A4-0110		234	150		740	739	255						8-φ22	
60	EILM150-12526-A4-0150						798							8-φ22	
61	EILM150-12526-A4-0185		238		360	760	822	280	200x250	250x300				8-φ22	
62	EILM150-12526-A4-0220						892	305						8-φ22	
63	EILM150-12526-A4-0300	260	241											8-φ22	
64	EILM150-12532-A4-0150						809	255						8-φ22	
65	EILM150-12532-A4-0185		249				839							8-φ22	
66	EILM150-12532-A4-0220				895	879	879	280	340x340	420x420		285	240	8-φ22	26
67	EILM150-12532-A4-0300						909	305						8-φ22	
68	EILM150-12540-A4-0370				400		964	335			18			8-φ22	
69	EILM150-12540-A4-0450						989		250x300	300x350				8-φ22	
70	EILM150-12540-A4-0550	250	284		850	989	1054	370						8-φ22	
71	EILM200-15020-A4-0185		261	200		840	851	280	340x340	420x420				12-φ22	28
72	EILM200-15026-A4-0300		248		380	830	1018	305	250x300	300x350				12-φ22	
73	EILM200-15032-A4-0300		250				910							12-φ22	
74	EILM200-15032-A4-0370						965							12-φ22	30
75	EILM200-15032-A4-0450	300	285		430	920	990	335	340x340	420x420		340	295	12-φ22	
76	EILM200-15032-A4-0550						1055	370						12-φ22	

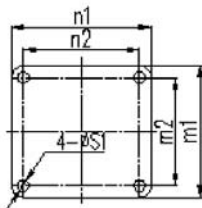
Installation Dimension - 60Hz, 2 Pole



Inlet Flange

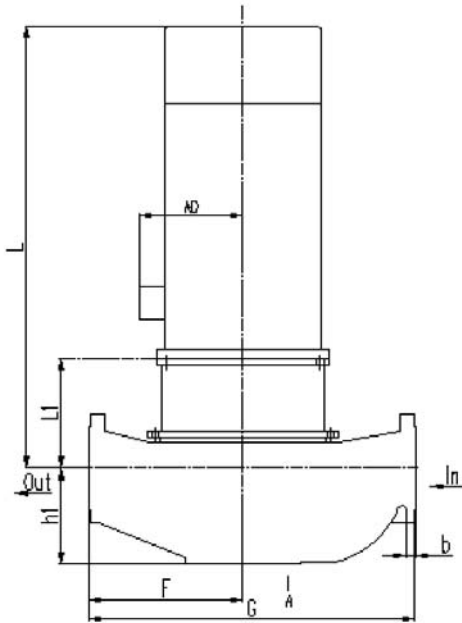


A Direction

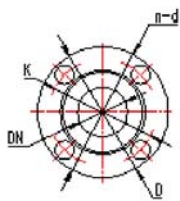


Item	Model	h1	L1	DN	F	G	L	AD	n2xm2	n1xm1	s1	D	K	n-d	b
1	EILM40-3213-B2-0015	113	152	40	150	310	447	155	170x200	200x230	12	150	110		18
2	EILM40-3213-B2-0022						489	180							
3	EILM40-3213-B2-0030						489	180							
4	EILM40-3213-B2-0040	164					504	190							
5	EILM50-3216-B2-0040	118	187	50	210	420	577	210	170x200	200x230	14	165	125		
6	EILM50-3216-B2-0055						577	210							
7	EILM50-3216-B2-0075						576								
8	EILM50-3220-B2-0075	186					576								
9	EILM50-3220-B2-0110	218					723	255							
10	EILM50-3220-B2-0150	228	228	230	470		733		170x200	200x230	14	165	125		
11	EILM50-3226-B2-0150						788								
12	EILM50-3226-B2-0185						818	280							
13	EILM50-3226-B2-0220	231					891	305							
14	EILM50-3226-B2-0300	128	164	65	240	480	489	180	170x200	200x230	12	185	145	4-φ18	20
15	EILM65-4013-B2-0030						504	190							
16	EILM65-4013-B2-0040						504	190							
17	EILM65-4013-B2-0055	187					577	210							
18	EILM65-4013-B2-0075	138	187	240	480	778	577	210	170x200	200x230	14	185	145	4-φ18	20
19	EILM65-4016-B2-0055						725	255							
20	EILM65-4016-B2-0075						725	255							
21	EILM65-4016-B2-0110	220					725	255							
22	EILM65-4020-B2-0110	218					723	255							
23	EILM65-4020-B2-0150	155	218	260	520	891	778		170x200	200x230	12	185	145	4-φ18	20
24	EILM65-4020-B2-0185						778								
25	EILM65-4026-B2-0300						778								
26	EILM65-4026-B2-0370	231					891	305							
27	EILM65-5013-B2-0055	138	187	240	480	891	577	210	170x200	200x230	12	185	145	4-φ18	20
28	EILM65-5013-B2-0075						725	255							
29	EILM65-5013-B2-0110						725	255							
30	EILM65-5016-B2-0110	220					725	255							
31	EILM65-5016-B2-0150	158	220	260	540	891	780		170x200	200x230	14	200	160	8-φ18	25
32	EILM65-5016-B2-0185						810	280							
33	EILM65-5016-B2-0220						810	280							
34	EILM65-5020-B2-0220	221					811	280							
35	EILM65-5020-B2-0300	160	224	260	540	891	884	305	170x200	200x230	12	200	160	8-φ18	25
36	EILM65-5020-B2-0370						884	305							
37	EILM65-5026-B2-0370						892								
38	EILM80-6513-B2-0110	150	160	80	220	480	725	255	170x200	200x230	14	200	160	8-φ18	25
39	EILM80-6513-B2-0150						780								
40	EILM80-6513-B2-0185						780								
41	EILM80-6516-B2-0150	220					725								
42	EILM80-6516-B2-0185	188	158	100	260	540	780		170x200	200x230	12	200	160	8-φ18	25
43	EILM80-6516-B2-0220						810	280							
44	EILM80-6516-B2-0300						882	305							
45	EILM80-6520-B2-0220	218					808	280							
46	EILM80-6520-B2-0300	222	221	125	330	690	881	305	170x200	200x230	14	220	180	8-φ18	24
47	EILM80-6520-B2-0370						881	305							
48	EILM100-8016-B2-0220						882								
49	EILM100-8016-B2-0300	237	220	125	330	690	882		170x200	200x230	14	220	180	8-φ18	24
50	EILM100-8016-B2-0370						882								
51	EILM100-8020-B2-0450						942	335							
52	EILM125-10016-B2-0450	220							260x260	300x300	14	250	210		26

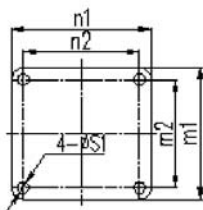
Installation Dimension - 60Hz, 4 Pole



Inlet Flange



A Direction



Item	Model	h1	L1	DN	F	G	L	AD	n2xm2	n1xm1	s1	D	K	n-d	b
1	EILM40-3213-B4-0005	113		40	150	310	407					150	110		18
2	EILM50-3216-B4-0005		152				397	145							
3	EILM50-3216-B4-0007				160	320					12				
4	EILM50-3216-B4-0011						422								
5	EILM50-3220-B4-0011		118	50			396	155				165	125		
6	EILM50-3220-B4-0015		151		210	420	421								
7	EILM50-3220-B4-0022		163				488	180			14				
8	EILM50-3226-B4-0030				230	470	498								
9	EILM50-3226-B4-0040		173				513	190							
10	EILM65-4013-B4-0011	128			175	360	407	145							
11	EILM65-4016-B4-0011		152		195	370	422	155			12				
12	EILM65-4016-B4-0015						447								
13	EILM65-4020-B4-0022		138		240	480	488	180							
14	EILM65-4020-B4-0030						513	190							
15	EILM65-4026-B4-0040		173		260	520	586	210			14			4-φ18	20
16	EILM65-4026-B4-0055		196				591								
17	EILM65-4032-B4-0075		201		290	580	736	255							
18	EILM65-4032-B4-0110		231				424	155							
19	EILM65-5013-B4-0011		152	65			449		170x200	200x230		185	145		
20	EILM65-5013-B4-0015		155		200	410	489	180			12				
21	EILM65-5013-B4-0022						500								
22	EILM65-5016-B4-0022		164		220	440	506	190							
23	EILM65-5016-B4-0030		160				579	210							
24	EILM65-5020-B4-0030		138		240	480	587	210			14				
25	EILM65-5020-B4-0040		166				627								
26	EILM65-5020-B4-0055		189		260	520	736	255							
27	EILM65-5026-B4-0055		197				795	280							
28	EILM65-5026-B4-0075						825								
29	EILM65-5032-B4-0110		231		290	580	865	280							
30	EILM65-5032-B4-0150	155							200x250	250x300	18				
31	EILM65-5032-B4-0185														
32	EILM80-6513-B4-0022	160			220	480	504	190							
33	EILM80-6516-B4-0030		164				486				12				25
34	EILM80-6516-B4-0040	158			260	540	616	210				200	160		
35	EILM80-6520-B4-0040		166				632								
36	EILM80-6520-B4-0055	150					739	255							
37	EILM80-6520-B4-0075		186	80			794				14				
38	EILM80-6526-B4-0075		202		290	590	795	280							
39	EILM80-6526-B4-0110		168				825								
40	EILM80-6526-B4-0150		234				865								
41	EILM80-6532-B4-0150		175	235	310	640			200x250	250x300	18				22
42	EILM80-6532-B4-0185														
43	EILM80-6532-B4-0220														
44	EILM100-8016-B4-0030		164		260	540	577	210							
45	EILM100-8016-B4-0040		187				632				12				
46	EILM100-8016-B4-0055		202				729		170x200	200x230					
47	EILM100-8020-B4-0075		188		290	600	739	255			14				
48	EILM100-8020-B4-0110						794								
49	EILM100-8026-B4-0110		234	100	310	630	824	280				220	180	8-φ18	24
50	EILM100-8026-B4-0150						795	255							
51	EILM100-8026-B4-0185						825	280							
52	EILM100-8032-B4-0150		235		340	700	865	305	200x250	250x300	18				
53	EILM100-8032-B4-0185		249				909								
54	EILM100-8032-B4-0220		186				989	335							
55	EILM100-8032-B4-0300				400	800	1054	370	310x310	370x370					
56	EILM100-8040-B4-0450		284												
57	EILM100-8040-B4-0550														
58	EILM125-10016-B4-0055		202		690	632	739	210	260x260	300x300	14				
59	EILM125-10020-B4-0110		234		330		794	255							
60	EILM125-10020-B4-0150						798					250	210		26
61	EILM125-10026-B4-0150						828		200x250	250x300	18				
62	EILM125-10026-B4-0185		238		340	700	868	280							
63	EILM125-10026-B4-0220						901	305							
64	EILM125-10026-B4-0300		241				989	335							
65	EILM125-10032-B4-0220		235		360	740	865	280							
66	EILM125-10040-B4-0450						1054	370				250	210	8-φ18	
67	EILM125-10040-B4-0550		240	125	380	810	1129	410	200x250	250x300					
68	EILM125-10040-B4-0750						794	255							
69	EILM150-12520-B4-0150						824	280							
70	EILM150-12520-B4-0185		234		360	740	864	280							
71	EILM150-12520-B4-0220						901	305							
72	EILM150-12526-B4-0300		260				909					285	240	8-φ22	
73	EILM150-12532-B4-0300		249	150			964	335	340x340	420x420	18				
74	EILM150-12532-B4-0370						989								
75	EILM150-12532-B4-0450		284		400		1129	410							
76	EILM150-12540-B4-0750		250				1179		250x300	300x350					
77	EILM150-12540-B4-0900														
78	EILM200-15020-B4-0370	280	237				840	897							
79	EILM200-15032-B4-0550						1055	370							
80	EILM200-15032-B4-0750		300	200	430	920	1130	410	340x340	420x420		340	295	12-φ22	28
81	EILM200-15032-B4-0900						1180								30



Euroflo Pumps International Pte Ltd

Contact Steven Kek : +6019-2230287