



SNG 6008069

EUROFLOTM
where innovation flows



**Vertical Multistage
Centrifugal Pumps**

EMV/S/Kseries



www.euroflopumps.com

Coding System

e.g. **EMV 3 - 100 F A2 022 T**

XXXX XX-XXX X XX XXX X

Series _____

- EMV - Cast iron pump head
- EMVS - Fully SS304
- EMVK - Fully SS316

Nominal flow (m³/hr) _____

Number of impellers _____

(09/2 = impeller, including 2 reduced ones)

Connection type _____

- F = In-line round flanges in cast iron (Standard slip on type)
- V = Victaulic couplings, in-line ports (only for Fully SS pumps)
- C = Clamp couplings, in-line ports (only for Fully SS pumps)

Motor data/Rating(kW/10) _____

- A2 = 50Hz / 2 poles (for Motor below 1.5kw & above 7.5 kw)
- B2 = 60Hz / 2 poles
- C2 = 50Hz ~ 60Hz / 2 poles (for Motor 1.5kw to 7.5kw)

e.g.

003 = 0.37kW

450 = 45kW

Electrical arrangement _____

- T = Three-phase
- M = Single-phase
- X = Ex-proof motor
- Z = Special motor/voltage
- V = Variable speed drive
- B = Bare pump

Introduction



Motor efficiency class: EFF1

EMV/S/K series are vertical multistage, in-line port position with flange designed according to DIN standard or Victaulic coupling. Standard pumps are fitted with motor according to IEC, with motor efficiency class EFF1; EFF2 upon request.

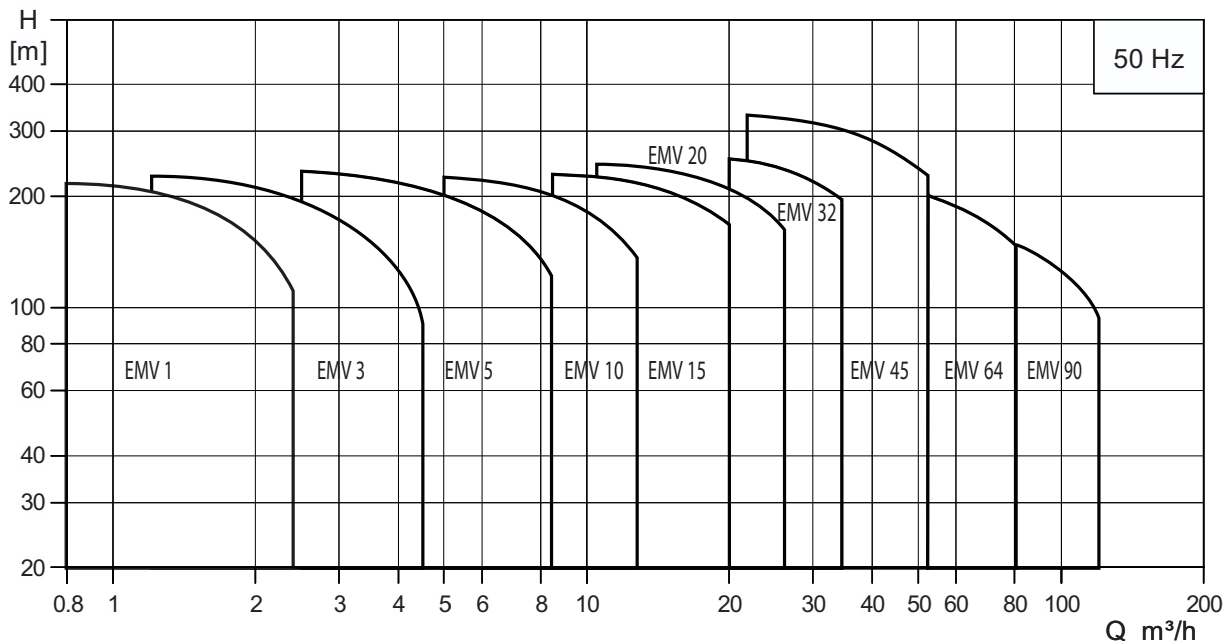
All pumps are fitted with Cartridge type mechanical seal for easy change out without removing motor and adapter or the pipes.

Flange: DIN/ANSI/JIS (slip-on type)
 Materials: Stainless Steel 304 or 316 with Cast iron or Stainless steel base
 Mounting: Vertical

DN 25 - 100
Q 0.2 to 120 m³/hr
O.P. up to 24bar
H up to 330m
Ns up to 3,600rpm
t -20°C to 120°C

Application:

- Water supply and pressure boosting for buildings, water stations, water supply network
- Irrigation and agriculture
- Washing and cleaning systems
- Fire fighting systems
- Process water systems
- Water treatment systems
- Heating, ventilation and air-conditioning
- RO water and desalination application



General Characteristics

Range	1	3	5	10	15	20	32	45	64	90
50 Hz										
Nominal flow [m3/h]	1	3	5	10	15	20	32	45	64	90
Flow range [m3/h]	0.7-2.4	1.2-4.5	2.5-8.5	5-13	8.5-23.5	10.5-29	15-40	22-58	30-85	45-120
Max. pressure [bar]	21.5	23	24	21.5	23	24.3	27.5	26	22	20
Fluid temperature [°C]	-15 to +120									
Motor power [kW]	0.37-2.2	0.37-3	0.37-5.5	0.37-7.5	1.1-15	1.1-18.5	1.5-30	3-45	4.0-45	5.5-45
Version										
EMV: Cast iron and stainless steel EN	●	●	●	●	●	●	●	●	●	●
EMVS: Stainless steel EN 1.4301/AISI 304	●	●	●	●	●	●	●	●	●	●
EMVK: Stainless steel EN 1.4401/AISI 316	●	●	●	●	●	●	●	●	●	●
Motor										
Mains connection 1~[V/Hz] (Permissible voltage tolerance ± 10%)	220-240 V 50 Hz									
Mains connection 3~[V/Hz] (Permissible voltage tolerance ± 10%)	0.37-7.5 kW 220-240/380-415 V 50 Hz From 11 kW 380-415 V 50 Hz									
Insulation class	F									
Enclosure class	IP 55									
Ambient temperature	50°C									
EMV Pipe Connection										
Flange	DN 25/ DN 32	DN 25/ DN 32	DN 25/ DN 32	DN 40	DN 50	DN 50	DN 65	DN80	DN100	DN100
EMVS, EMVK Pipe Connection										
Flange	DN 25/ DN 32	DN 25/ DN 32	DN 25/ DN 32	DN 40	DN 50	DN 50	DN 65	DN80	DN81	DN100
Victaulic-connections	R 1 ¹ / ₄ DN 32	R 1 ¹ / ₄ DN 32	R 1 ¹ / ₄ DN 32	R 2 DN 50	R 2 DN 50	R 2 DN 50	N/A	N/A	N/A	N/A
Mechanical seals										
Stationart / Rotating faces	Sic / Sic - Standard									
Elastomer - O-Ring										
Stationary O-ring	EPDM - Standard; Option: Viton									
Rotating O-ring										

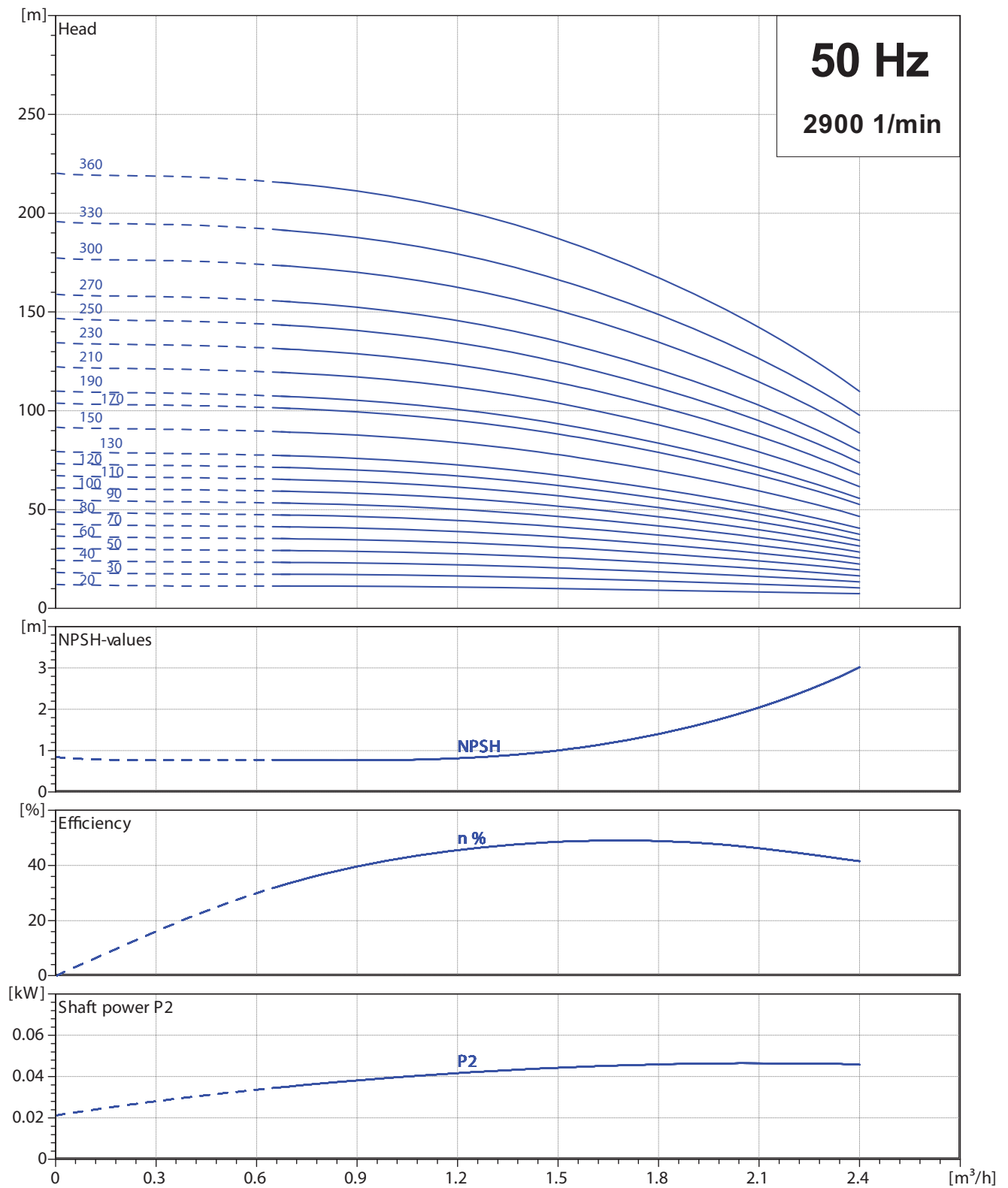
Electrical Data/Operating & Inlet Pressures

Electrical Data of Standard Motors

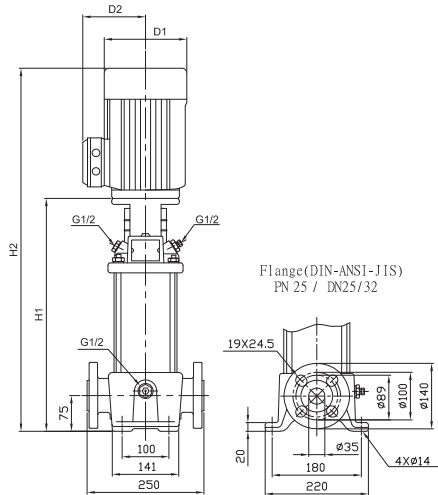
Motor Type					Nominal Current in [A]				
HP	KW	Pole	Flange	Frame	3~220 V	3~240 V	3~380 V	3~415 V	
0.5	0.37	2	B14	71	1.7	2	1.1	1.3	
0.75	0.55			71	2.5	2.8	1.5	1.7	
1.0	0.75			80	3.5	3.9	2.1	2.3	
1.5	1.1			90S	4.4	4.7	2.7	2.9	
2.0	1.5			90	5.9	5.7	3.4	3.3	
3.0	2.2			90	8.5	8	4.9	4.6	
4.0	3.0			100L	11.4	11.4	6.6	6.6	
5.5	4.0			112M	15.4	16.3	8.9	9.4	
7.5	5.5			132S	20.8	20.8	12	12	
10.0	7.5			132M	27.4	26.7	15.8	15.4	
15	11		160M			21.2	20		
20.0	15.0		160L			27.7	25.5		
25	18.5		180M			35.2	32.4		
30	22		180M			41.3	38.2		
40	30		180L			54.2	50.4		
50	37		200L			70.8	65.6		
60	45		200L			83.1	79.2		
				B5					

Operating & Inlet Pressures

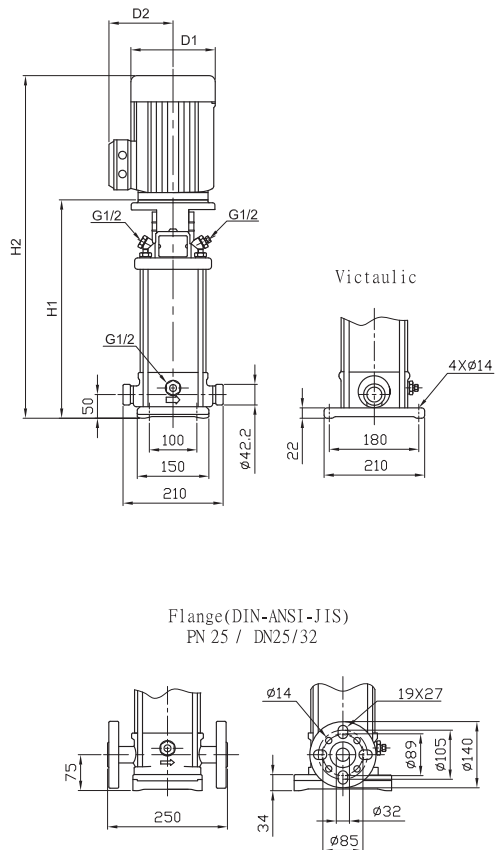
	Stages	Maximum Operating Pressure	Stages	Maximum Inlet Pressures
EMV 1	2 - 36	25 bar	2 - 36	10 bar
EMV 3	2 - 36	25 bar	2 - 29	10 bar
			31 - 36	15 bar
EMV 5	2 - 36	25 bar	2 - 16	10 bar
			18 - 36	15 bar
EMV 10	1 - 16	16 bar	1 - 6	8 bar
	17 - 22	25 bar	7 - 22	10 bar
EMV 15	1 - 10	16 bar	1 - 3	8 bar
	12 - 17	25 bar	4 - 17	10 bar
EMV 20	1 - 10	16 bar	1 - 3	8 bar
	12 - 17	25 bar	4 - 17	10 bar
EMV 32	1 - 1	16 bar	1 - 4	4 bar
	8 - 14	30 bar	5 - 10	10 bar
			11 - 14	15 bar
EMV 45	1-5	16 bar	1 - 2	4 bar
	6 - 11	30 bar	3 - 5	10 bar
	12 - 13	33 bar	6 - 13	15 bar
EMV 64	1 - 5	16 bar	1 - 2	4 bar
	6 - 8	30 bar	2 - 4	10 bar
			4 - 8	15 bar
EMV 90	1 - 4	16 bar	1	4 bar
	5 - 6	30 bar	2 - 3	10 bar
			3 - 6	15 bar



EMV-1

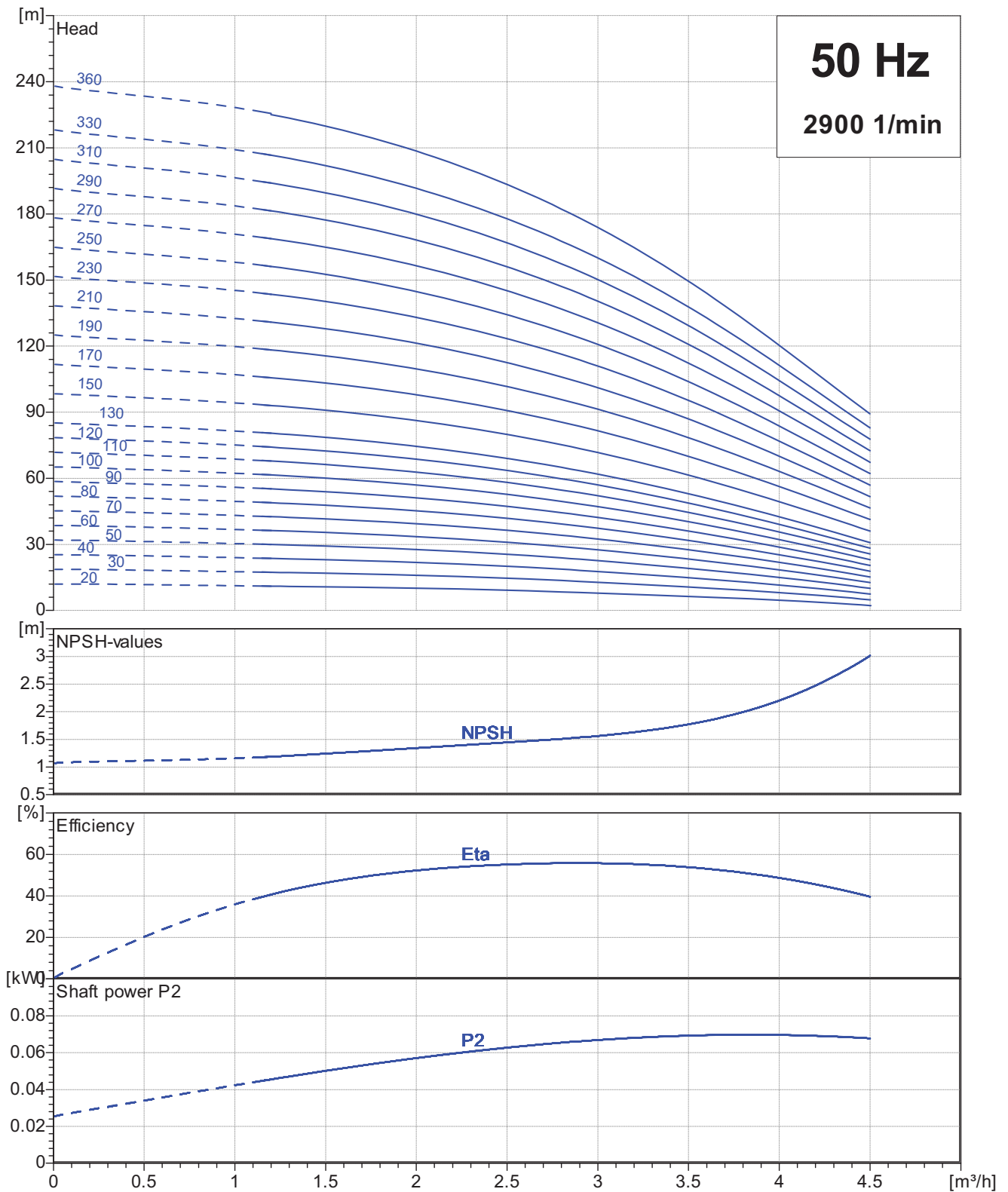


EMVS, EMVK-1



Pump type	Motor	Dimension [mm]					Net weight [kg]
	P2 [kW]	DIN flange		D1	D2	D3	DIN flange
		H1	H2				
EMV 1-20	0.37	279	470	141	109	23.0	23.0
EMV 1-30	0.37	279	470	141	109	23.0	24.0
EMV 1-40	0.37	297	488	141	109	23.0	25.0
EMV 1-50	0.37	315	506	141	109	24.0	27.0
EMV 1-60	0.37	333	524	141	109	24.0	30.0
EMV 1-70	0.37	351	542	141	109	25.0	30.0
EMV 1-80	0.55	369	560	141	109	26.0	31.0
EMV 1-90	0.55	387	578	141	109	26.0	38.3
EMV 1-100	0.55	405	596	141	109	26.0	38.9
EMV 1-110	0.55	423	614	141	109	27.0	41.5
EMV 1-120	0.75	447	678	141	109	29.0	42.0
EMV 1-130	0.75	465	696	141	109	29.0	42.6
EMV 1-150	0.75	501	732	141	109	30.0	43.2
EMV 1-170	1.1	537	768	141	109	33.0	43.8
EMV 1-190	1.1	573	804	141	109	34.0	44.3
EMV 1-210	1.1	609	840	141	109	35.0	53.2
EMV 1-230	1.1	645	876	141	109	36.0	54.4
EMV 1-250	1.5	697	943	175	144	42.9	62.5
EMV 1-270	1.5	733	979	175	144	43.7	63.6
EMV 1-300	1.5	787	1033	175	144	44.8	64.8
EMV 1-330	2.2	841	1113	175	144	47.9	66.5
EMV 1-360	2.2	895	1167	175	144	49.1	85.4

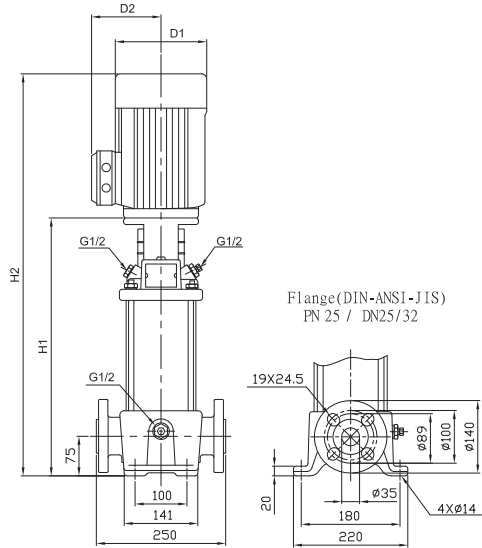
Pump type	Motor	Dimension [mm]						Net weight [kg]		
	P2 [kW]	Victaulic		DIN flange		D1	D2	D3	Victaulic	DIN flange
		H1	H2	H1	H2					
EMVS, EMVK 1-20	0.37	257	448	282	473	141	109	16.0	20.0	21.0
EMVS, EMVK 1-30	0.37	257	448	282	473	141	109	16.0	21.0	22.0
EMVS, EMVK 1-40	0.37	275	466	300	491	141	109	17.0	21.0	22.0
EMVS, EMVK 1-50	0.37	293	484	318	509	141	109	17.0	21.0	25.0
EMVS, EMVK 1-60	0.37	311	502	336	527	141	109	18.0	22.0	28.0
EMVS, EMVK 1-70	0.37	329	520	354	545	141	109	18.0	22.0	28.0
EMVS, EMVK 1-80	0.55	347	538	372	563	141	109	19.0	23.0	29.0
EMVS, EMVK 1-90	0.55	365	556	390	581	141	109	20.0	24.0	36.5
EMVS, EMVK 1-100	0.55	383	574	408	599	141	109	20.0	24.0	37.1
EMVS, EMVK 1-110	0.55	401	592	426	617	141	109	20.0	24.0	39.6
EMVS, EMVK 1-120	0.75	425	656	450	681	141	109	23.0	27.0	40.2
EMVS, EMVK 1-130	0.75	443	674	468	699	141	109	23.0	28.0	40.8
EMVS, EMVK 1-150	0.75	479	710	504	735	141	109	24.0	28.0	41.3
EMVS, EMVK 1-170	1.1	515	746	540	771	141	109	27.0	31.0	41.9
EMVS, EMVK 1-190	1.1	551	782	576	807	141	109	28.0	32.0	42.5
EMVS, EMVK 1-210	1.1	587	818	612	843	141	109	29.0	33.0	51.1
EMVS, EMVK 1-230	1.1	623	854	648	879	141	109	30.0	34.0	52.2
EMVS, EMVK 1-250	1.5	675	921	700	946	175	144	37.5	41.0	60.4
EMVS, EMVK 1-270	1.5	711	957	736	982	175	144	38.2	41.8	61.5
EMVS, EMVK 1-300	1.5	765	1011	790	1036	175	144	39.4	42.9	62.6
EMVS, EMVK 1-330	2.2	819	1091	844	1116	175	144	42.5	46.0	64.4
EMVS, EMVK 1-360	2.2	873	1145	898	1170	175	144	43.6	47.2	83.2



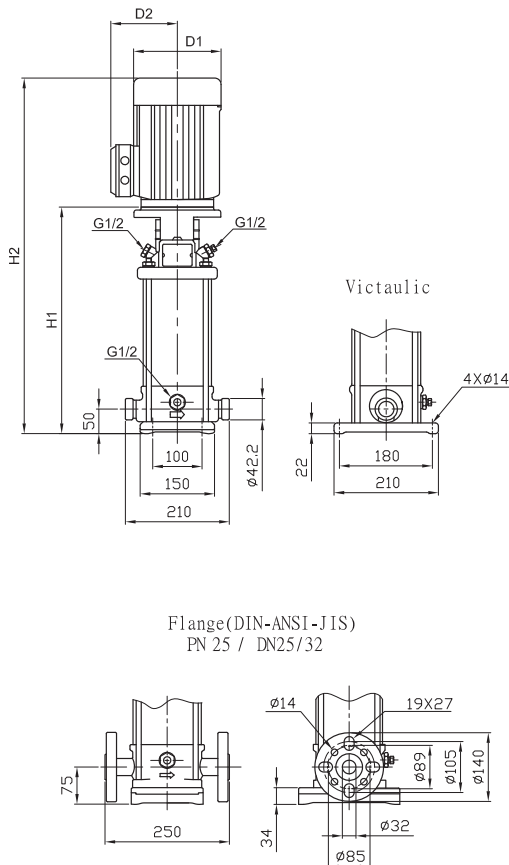
Dimensions and Weights

EMV, EMVS, EMVK-3

EMV-3

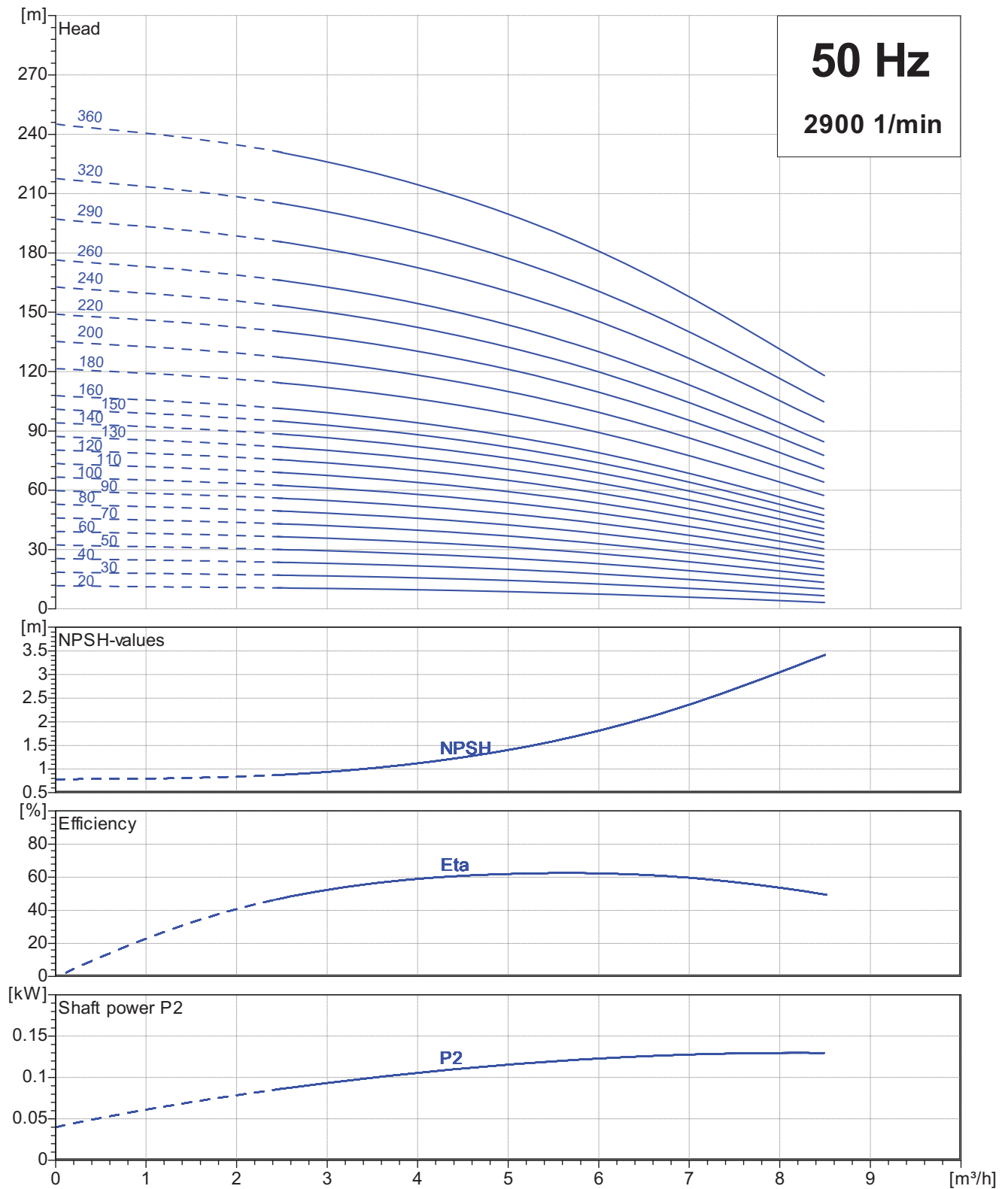


EMVS, EMVK-3



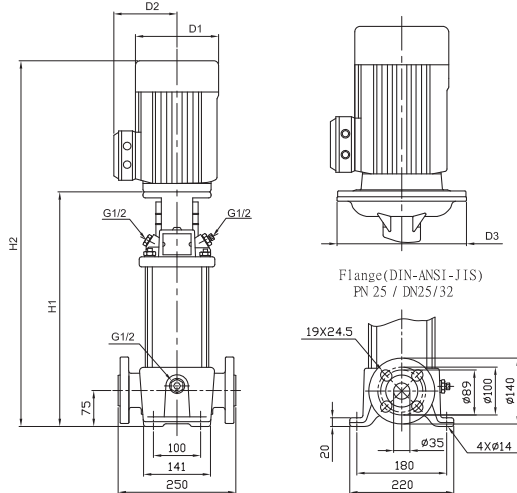
Pump type	Motor	Dimension [mm]					Net weight [kg]
	P2 [kW]	DIN flange		D1	D2	D3	DIN flange
		H1	H2				
EMV 3-20	0.37	279	470	141	109	23.0	23.0
EMV 3-30	0.37	279	470	141	109	23.0	24.0
EMV 3-40	0.37	297	488	141	109	23.0	25.0
EMV 3-50	0.37	315	506	141	109	24.0	27.0
EMV 3-60	0.55	333	524	141	109	25.0	30.0
EMV 3-70	0.55	351	542	141	109	25.0	30.0
EMV 3-80	0.75	375	606	141	109	27.0	31.0
EMV 3-90	0.75	393	624	141	109	28.0	38.3
EMV 3-100	0.75	411	642	141	109	28.0	38.9
EMV 3-110	1.1	429	660	141	109	31.0	41.5
EMV 3-120	1.1	447	678	141	109	31.0	42.0
EMV 3-130	1.1	465	696	141	109	31.0	42.6
EMV 3-150	1.1	501	732	141	109	32.0	43.2
EMV 3-170	1.5	553	799	175	144	39.9	43.8
EMV 3-190	1.5	589	835	175	144	40.7	44.3
EMV 3-210	2.2	625	897	175	144	43.4	53.2
EMV 3-230	2.2	661	933	175	144	44.2	54.4
EMV 3-250	2.2	697	969	175	144	44.9	62.5
EMV 3-270	2.2	733	1005	175	144	45.7	63.6
EMV 3-290	2.2	769	1041	175	144	46.4	64.8
EMV 3-310	3.0	809	1133	198	153	54.9	66.5
EMV 3-330	3.0	845	1169	198	153	55.7	85.4
EMV 3-360	3.0	899	1223	198	153	56.8	87.7

Pump type	Motor	Dimension [mm]							Net weight [kg]	
	P2 [kW]	Victaulic		DIN flange		D1	D2	D3	Victaulic	DIN flange
		H1	H2	H1	H2					
EMVS, EMVK 3-20	0.37	257	448	282	473	141	109	16.0	19.0	21.0
EMVS, EMVK 3-30	0.37	257	448	282	473	141	109	16.0	19.0	22.0
EMVS, EMVK 3-40	0.37	275	466	300	491	141	109	17.0	19.0	22.0
EMVS, EMVK 3-50	0.37	293	484	318	509	141	109	17.0	20.0	25.0
EMVS, EMVK 3-60	0.55	311	502	336	527	141	109	18.0	21.0	28.0
EMVS, EMVK 3-70	0.55	329	520	354	545	141	109	19.0	21.0	28.0
EMVS, EMVK 3-80	0.75	353	584	378	609	141	109	21.0	24.0	29.0
EMVS, EMVK 3-90	0.75	371	602	396	627	141	109	22.0	24.0	36.5
EMVS, EMVK 3-100	0.75	389	620	414	645	141	109	22.0	25.0	37.1
EMVS, EMVK 3-110	1.1	407	638	432	663	141	109	25.0	27.0	39.6
EMVS, EMVK 3-120	1.1	425	656	450	681	141	109	25.0	28.0	40.2
EMVS, EMVK 3-130	1.1	443	674	468	699	141	109	26.0	28.0	40.8
EMVS, EMVK 3-150	1.1	479	710	504	735	141	109	26.0	29.0	41.3
EMVS, EMVK 3-170	1.5	531	777	556	802	175	144	34.5	38.1	41.9
EMVS, EMVK 3-190	1.5	567	813	592	838	175	144	35.3	38.8	42.5
EMVS, EMVK 3-210	2.2	603	875	628	900	175	144	38.0	41.6	51.1
EMVS, EMVK 3-230	2.2	639	911	664	936	175	144	38.8	42.3	52.2
EMVS, EMVK 3-250	2.2	675	947	700	972	175	144	39.5	43.1	60.4
EMVS, EMVK 3-270	2.2	711	983	736	1008	175	144	40.3	43.8	61.5
EMVS, EMVK 3-290	2.2	747	1019	772	1044	175	144	41.0	44.6	62.6
EMVS, EMVK 3-310	3.0	787	1111	812	1136	198	153	49.2	52.8	64.4
EMVS, EMVK 3-330	3.0	823	1147	848	1172	198	153	50.0	53.5	83.2
EMVS, EMVK 3-360	3.0	877	1201	902	1226	198	153	51.1	54.7	85.5

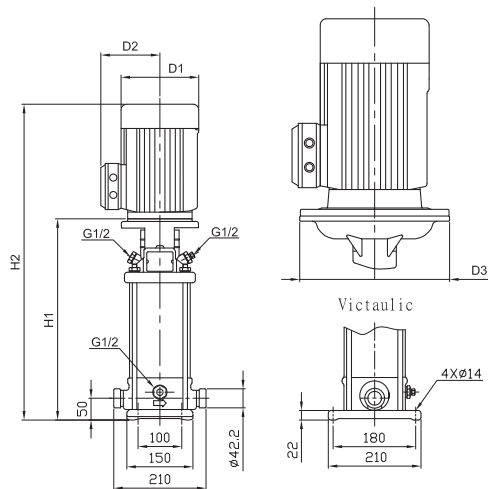


EMV-5

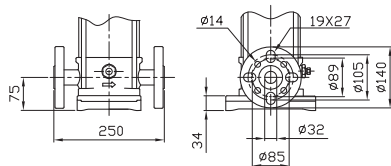
SB-5



EMVS, EMVK-5

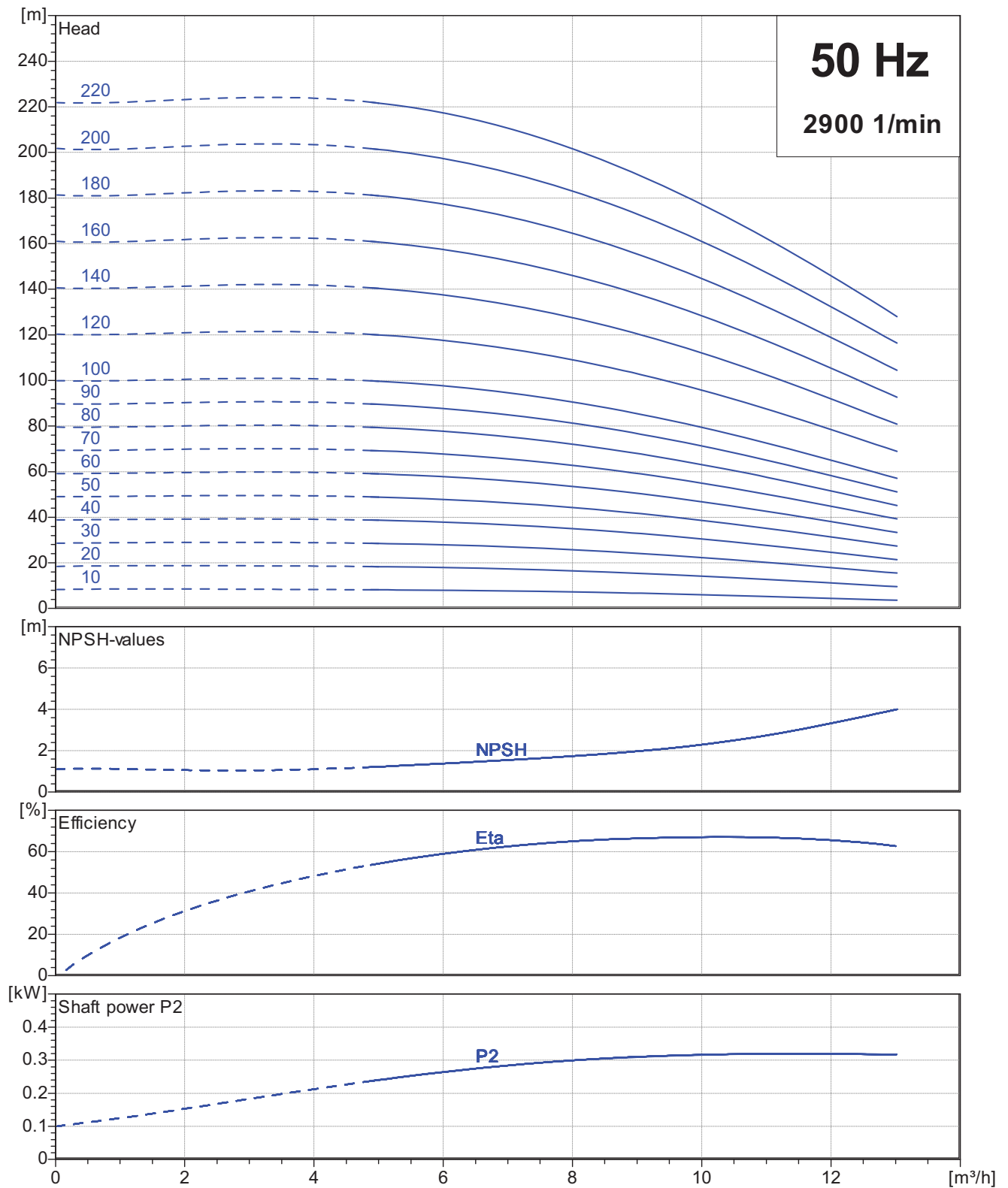


Flange (DIN-ANSI-JIS)
PN 25 / DN25/32

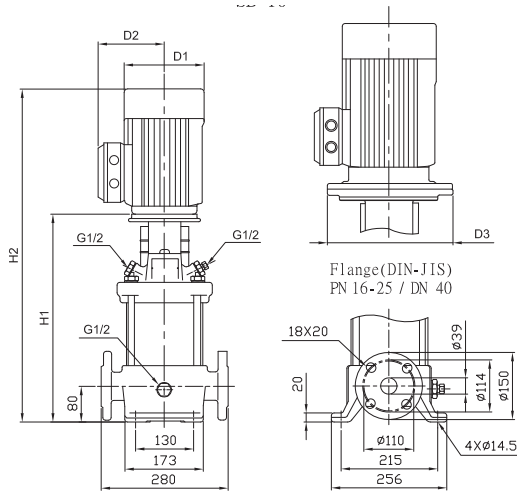


Pump type	Motor	Dimension [mm]					Net weight [kg]
	P2 [kW]	DIN flange		D1	D2	D3	DIN flange
		H1	H2				
EMV 5-20	0.37	279	470	141	109	—	23.0
EMV 5-30	0.55	306	497	141	109	—	24.0
EMV 5-40	0.55	333	524	141	109	—	25.0
EMV 5-50	0.75	366	597	141	109	—	27.0
EMV 5-60	1.1	393	624	141	109	—	30.0
EMV 5-70	1.1	420	651	141	109	—	30.0
EMV 5-80	1.1	447	678	141	109	—	31.0
EMV 5-90	1.5	490	736	175	144	—	38.3
EMV 5-100	1.5	517	763	175	144	—	38.9
EMV 5-110	2.2	544	816	175	144	—	41.5
EMV 5-120	2.2	571	843	175	144	—	42.0
EMV 5-130	2.2	598	870	175	144	—	42.6
EMV 5-140	2.2	625	897	175	144	—	43.2
EMV 5-150	2.2	652	924	175	144	—	43.8
EMV 5-160	2.2	679	951	175	144	—	44.3
EMV 5-180	3.0	737	1061	198	153	—	53.2
EMV 5-200	3.0	791	1115	198	153	—	54.4
EMV 5-220	4.0	845	1175	221	174	—	62.5
EMV 5-240	4.0	899	1229	221	174	—	63.6
EMV 5-260	4.0	953	1283	221	174	—	64.8
EMV 5-290	4.0	1034	1364	221	174	—	66.5
EMV 5-320	5.5	1145	1540	275	195	300	85.4
EMV 5-360	5.5	1253	1648	275	195	300	87.7

Pump type	Motor	Dimension [mm]						Net weight [kg]		
	P2 [kW]	Victaulic		DIN flange		D1	D2	D3	Victaulic	DIN flange
		H1	H2	H1	H2					
EMVS, EMVK 5-20	0.37	257	448	282	473	141	109	—	16.0	21.0
EMVS, EMVK 5-30	0.55	284	475	309	500	141	109	—	18.0	22.0
EMVS, EMVK 5-40	0.55	311	502	336	527	141	109	—	18.0	22.0
EMVS, EMVK 5-50	0.75	344	575	369	600	141	109	—	21.0	25.0
EMVS, EMVK 5-60	1.1	371	602	396	627	141	109	—	24.0	28.0
EMVS, EMVK 5-70	1.1	398	629	423	654	141	109	—	24.0	28.0
EMVS, EMVK 5-80	1.1	425	656	450	681	141	109	—	25.0	29.0
EMVS, EMVK 5-90	1.5	468	714	493	739	175	144	—	32.5	36.5
EMVS, EMVK 5-100	1.5	495	741	520	766	175	144	—	33.5	37.1
EMVS, EMVK 5-110	2.2	522	794	547	819	175	144	—	36.1	39.6
EMVS, EMVK 5-120	2.2	549	821	574	873	175	144	—	36.7	40.2
EMVS, EMVK 5-130	2.2	576	848	601	873	175	—	—	37.2	40.8
EMVS, EMVK 5-140	2.2	603	875	628	900	175	144	—	37.8	41.3
EMVS, EMVK 5-150	2.2	630	902	655	927	175	144	—	38.4	41.9
EMVS, EMVK 5-160	2.2	657	929	682	954	175	144	—	39.0	42.5
EMVS, EMVK 5-180	3.0	715	1039	740	1064	198	153	—	47.5	51.1
EMVS, EMVK 5-200	3.0	769	1093	794	1118	198	153	—	48.7	52.2
EMVS, EMVK 5-220	4.0	823	1153	848	1178	221	174	—	56.8	60.4
EMVS, EMVK 5-240	4.0	877	1207	902	1232	221	174	—	58.0	61.5
EMVS, EMVK 5-260	4.0	931	1261	956	1286	221	174	—	59.1	62.6
EMVS, EMVK 5-290	4.0	1012	1342	1037	1364	221	174	—	60.8	64.4
EMVS, EMVK 5-320	5.5	1123	1518	1148	1543	275	195	300	79.7	83.2
EMVS, EMVK 5-360	5.5	1231	1626	1256	1651	275	195	300	82.0	85.5

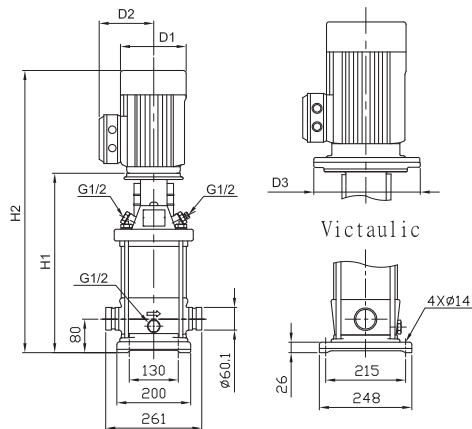


EMV-10

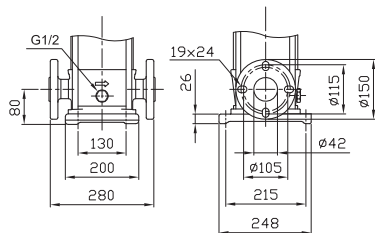


Pump type	Motor	Dimension [mm]					Net weight [kg]
	P2 [kW]	DIN flange		D1	D2	D3	DIN flange
		H1	H2				
EMV 10-10	0.37	343	534	141	109	—	34.0
EMV 10-20	0.75	347	578	141	109	—	36.0
EMV 10-30	1.1	377	608	141	109	—	39.0
EMV 10-40	1.5	423	669	175	144	—	48.2
EMV 10-50	2.2	453	725	175	144	—	51.2
EMV 10-60	2.2	483	755	175	144	—	52.2
EMV 10-70	3.0	518	842	198	153	—	61.5
EMV 10-80	3.0	548	872	198	153	—	62.5
EMV 10-90	3.0	578	902	198	153	—	63.5
EMV 10-100	4.0	608	938	221	174	—	71.5
EMV 10-120	4.0	668	998	221	174	—	73.6
EMV 10-140	5.5	760	1155	275	195	300	98.0
EMV 10-160	5.5	820	1215	275	195	300	100.0
EMV 10-180	7.5	880	1315	275	195	300	110.1
EMV 10-200	7.5	940	1375	275	195	300	112.1
EMV10-220	7.5	1000	1435	275	195	300	114.2

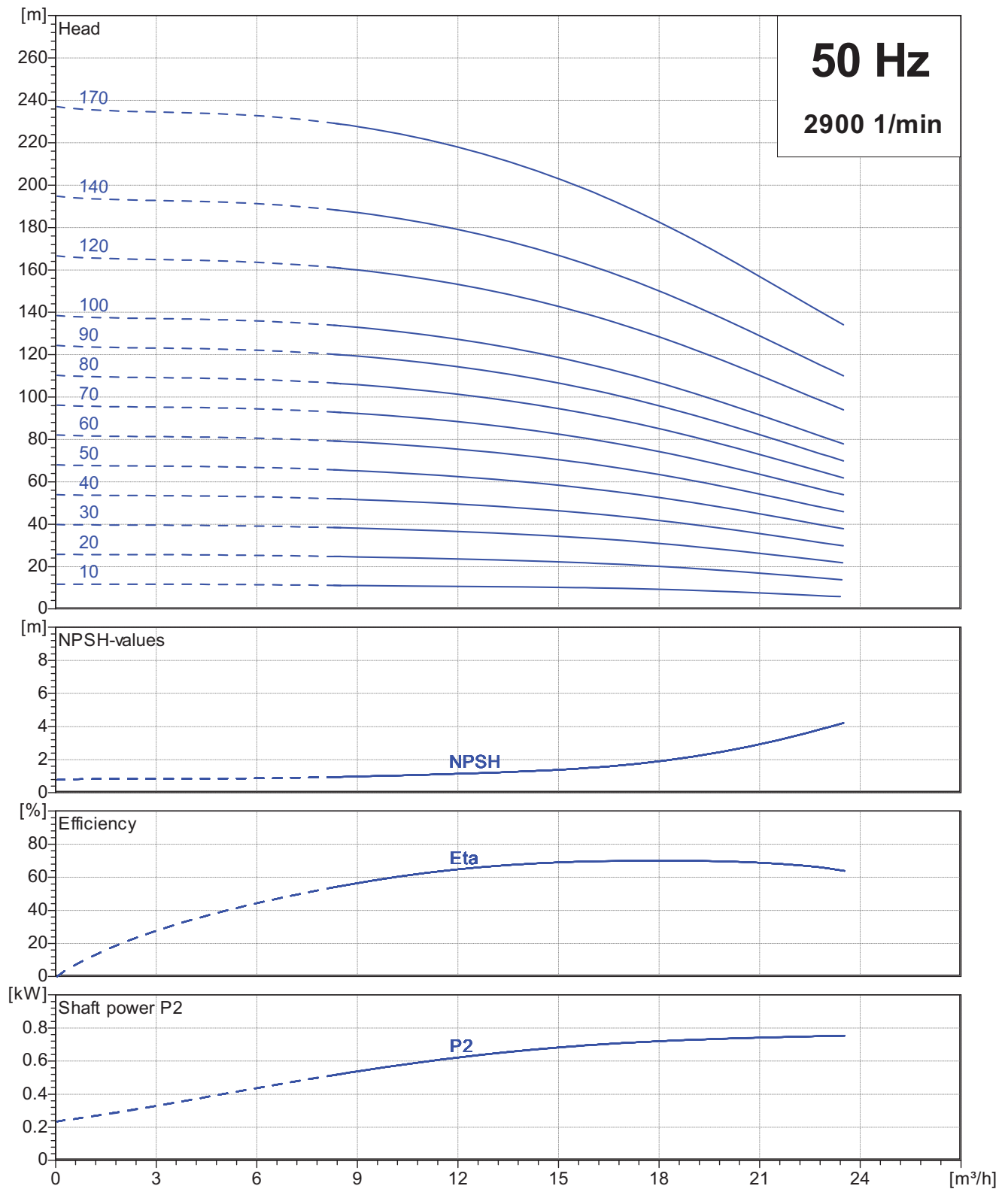
EMVS, EMVK-10



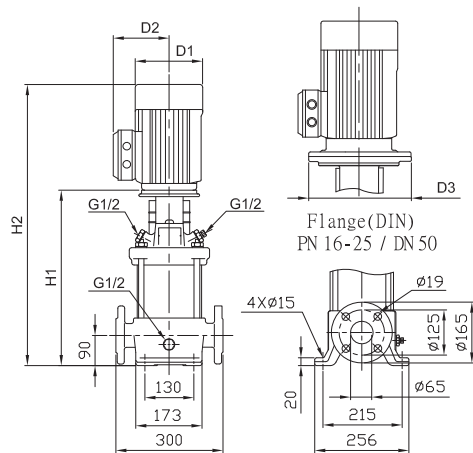
Flange(DIN-ANSI-JIS)
PN 16-25 / DN 40



Pump type	Motor	Dimension [mm]						Net weight [kg]		
	P2 [kW]	Victaulic		DIN flange		D1	D2	D3	Victaulic	DIN flange
		H1	H2	H1	H2					
EMVS, EMVK 10-10	0.37	353	544	353	544	141	109	—	28.0	32.0
EMVS, EMVK 10-20	0.75	357	588	357	588	141	109	—	31.0	34.0
EMVS, EMVK 10-30	1.1	387	618	387	618	141	109	—	34.0	38.0
EMVS, EMVK 10-40	1.5	433	679	433	679	175	144	—	43.6	47.1
EMVS, EMVK 10-50	2.2	463	735	463	735	175	144	—	46.6	50.1
EMVS, EMVK 10-60	2.2	493	765	493	765	175	144	—	47.6	51.1
EMVS, EMVK 10-70	3.0	528	852	528	852	198	153	—	55.4	58.9
EMVS, EMVK 10-80	3.0	558	882	558	882	198	153	—	56.4	60.0
EMVS, EMVK 10-90	3.0	588	912	588	912	198	153	—	57.5	61.0
EMVS, EMVK 10-100	4.0	618	948	618	948	221	174	—	65.5	69.0
EMVS, EMVK 10-120	4.0	678	1008	678	1008	221	174	—	67.5	71.0
EMVS, EMVK 10-140	5.5	770	1165	770	1165	275	195	300	92.9	96.4
EMVS, EMVK 10-160	5.5	830	1225	830	1225	275	195	300	94.9	98.5
EMVS, EMVK 10-180	7.5	890	1325	890	1325	275	195	300	105.0	108.5
EMVS, EMVK 10-200	7.5	950	1385	950	1385	275	195	300	107.0	110.5
EMVS, EMVK 10-220	7.5	1010	1445	1010	1445	275	195	300	109.1	112.6

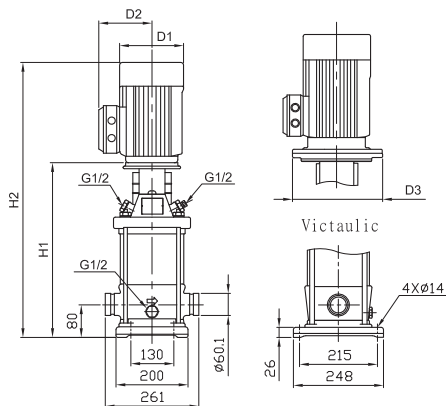


EMV-15

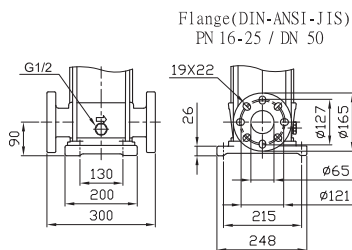


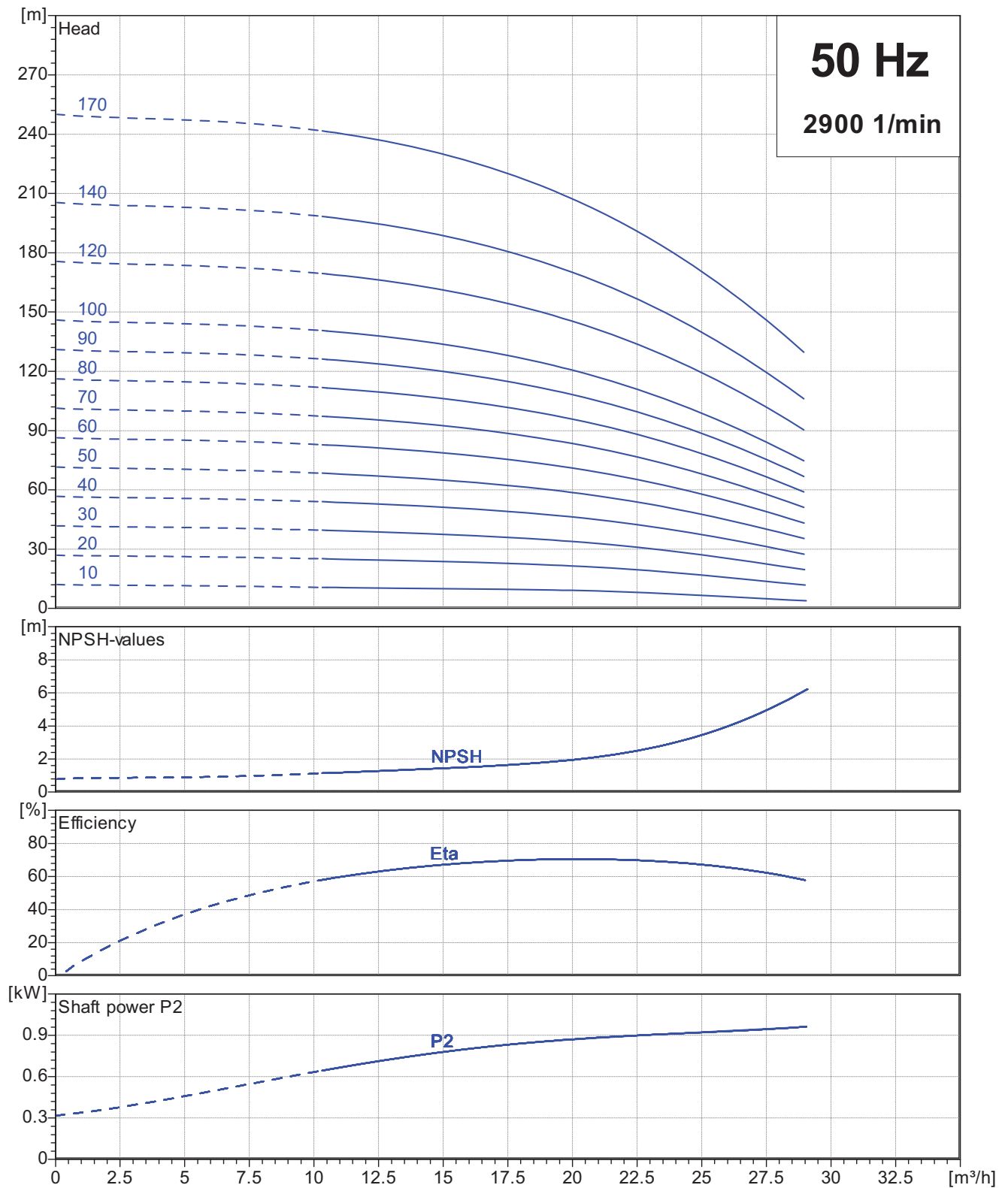
Pump type	Motor P2 [kW]	Dimension [mm]					Net weight [kg] DIN flange
		DIN flange		D1	D2	D3	
		H1	H2				
EMV 15-10	1.1	400	631	141	109	—	42.0
EMV 15-20	2.2	415	687	175	144	—	52.6
EMV 15-30	3.0	465	789	198	153	—	62.3
EMV 15-40	4.0	510	840	221	174	—	70.7
EMV 15-50	4.0	555	885	221	174	—	72.0
EMV 15-60	5.5	632	1027	275	195	300	95.8
EMV 15-70	5.5	677	1072	275	195	300	97.2
EMV 15-80	7.5	722	1157	275	195	300	106.6
EMV 15-90	7.5	767	1202	275	195	300	108.0
EMV 15-100	11.0	889	1387	334	263	350	184.6
EMV 15-120	11.0	979	1477	334	263	350	187.4
EMV 15-140	11.0	1069	1567	334	263	350	190.2
EMV 15-170	15.0	1204	1702	334	263	350	194.4

EMVS, EMVK-15

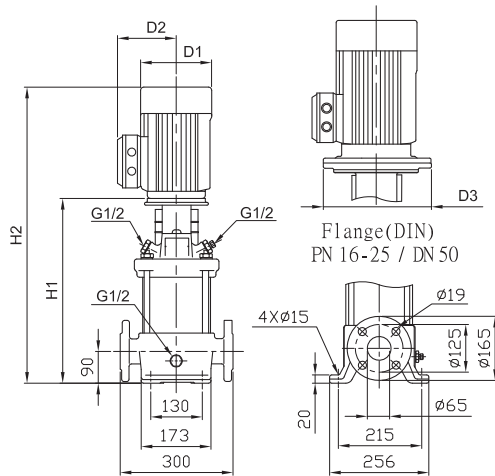


Pump type	Motor P2 [kW]	Dimension [mm]						Net weight [kg]		
		Victaulic		DIN flange		D1	D2	D3	Victaulic	DIN flange
		H1	H2	H1	H2					
EMVS, EMVK 15-10	1.1	387	618	397	628	141	109	—	34.0	42.0
EMVS, EMVK 15-20	2.2	403	675	413	685	175	144	—	44.3	48.8
EMVS, EMVK 15-30	3.0	453	777	463	787	198	153	—	52.5	57.0
EMVS, EMVK 15-40	4.0	498	828	508	838	221	174	—	60.9	65.4
EMVS, EMVK 15-50	4.0	543	873	553	883	221	174	—	62.3	66.8
EMVS, EMVK 15-60	5.5	620	1015	630	1025	275	195	300	87.1	91.6
EMVS, EMVK 15-70	5.5	665	1060	675	1070	275	195	300	88.5	93.0
EMVS, EMVK 15-80	7.5	710	1145	720	1155	275	195	300	97.9	102.4
EMVS, EMVK 15-90	7.5	755	1190	765	1200	275	195	300	99.3	103.8
EMVS, EMVK 15-100	11.0	877	1375	887	1385	334	263	350	176.4	180.9
EMVS, EMVK 15-120	11.0	967	1465	977	1475	334	263	350	179.2	183.7
EMVS, EMVK 15-140	11.0	1057	1555	1067	1565	334	263	350	182.0	186.5
EMVS, EMVK 15-170	15.0	1192	1690	1202	1700	334	263	350	186.2	190.7



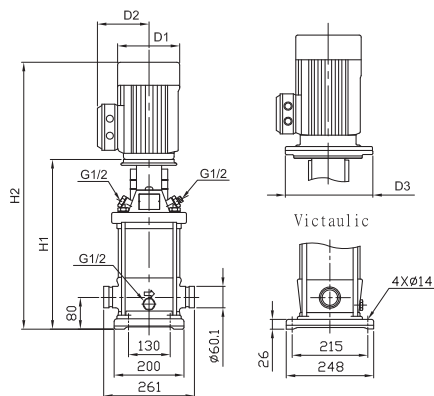


EMV-20

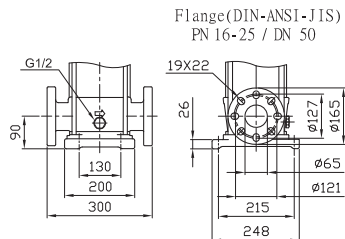


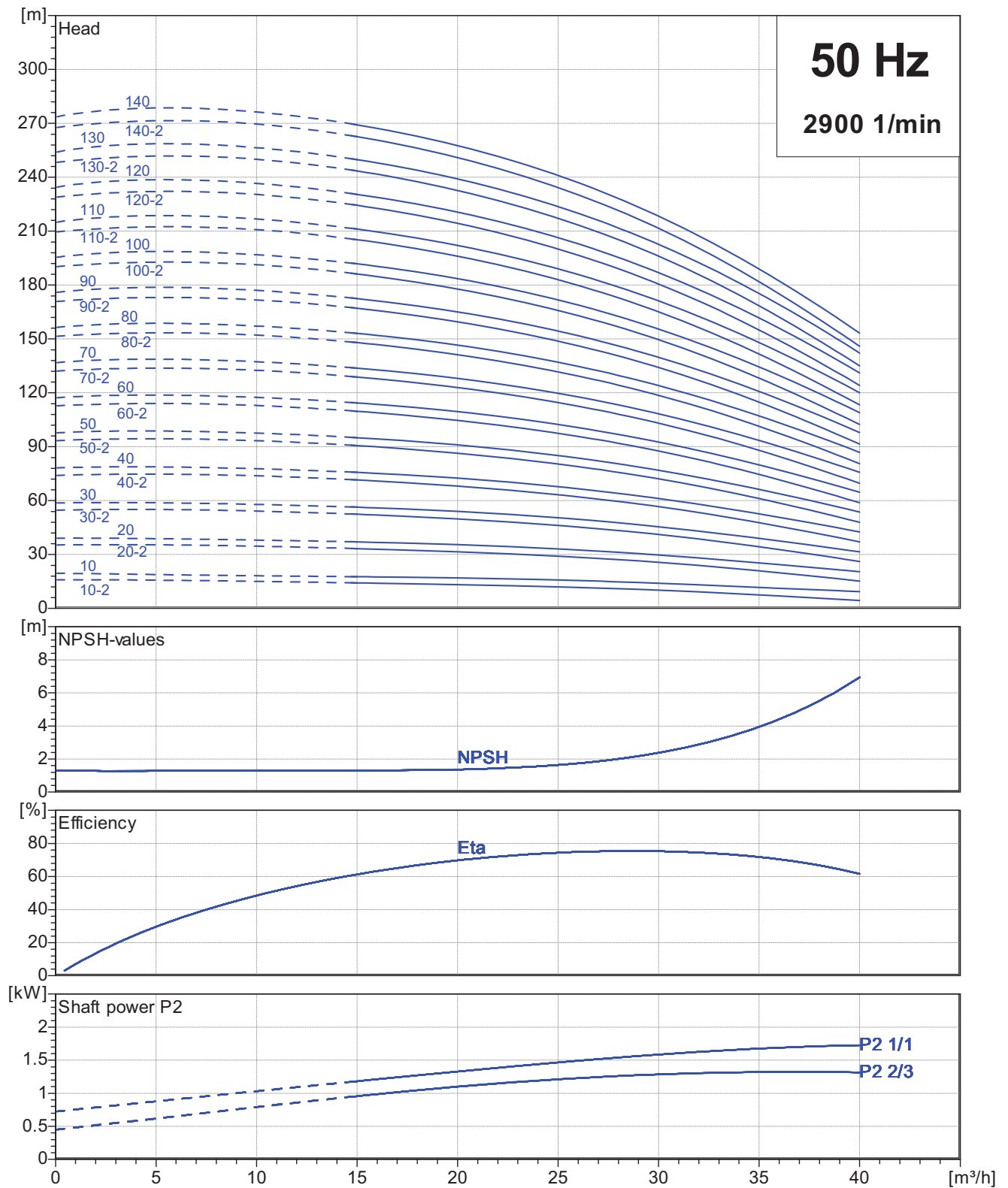
Pump type	Motor	Dimension [mm]					Net weight [kg]
	P2 [kW]	DIN flange		D1	D2	D3	DIN flange
		H1	H2				
EMV20-10	1.1	400	631	141	109	—	42.0
EMV 20-20	2.2	415	687	175	144	—	52.7
EMV 20-30	4.0	465	795	221	174	—	69.4
EMV 20-40	5.5	542	937	275	195	300	93.1
EMV 20-50	5.5	587	982	275	195	300	94.5
EMV 20-60	7.5	632	1067	275	195	300	103.9
EMV 20-70	7.5	677	1112	275	195	300	105.3
EMV 20-80	11.0	799	1297	334	263	350	181.9
EMV 20-100	11.0	889	1387	334	263	350	184.7
EMV 20-120	15.0	979	1477	334	263	350	187.5
EMV 20-140	15.0	1069	1567	334	263	350	190.3
EMV 20-170	18.5	1204	1746	334	263	350	216.4

EMVS, EMVK-20

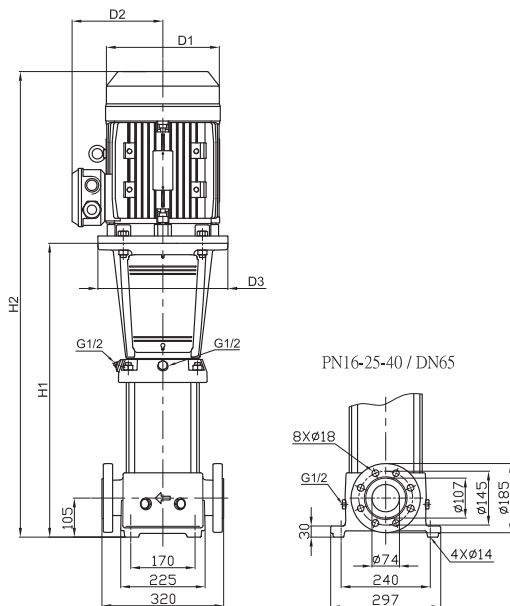


Pump type	Motor	Dimension [mm]							Net weight [kg]	
	P2 [kW]	Victaulic		DIN flange		D1	D2	D3	Victaulic	DIN flange
		H1	H2	H1	H2					
EMVS, EMVK 20-10	1.1	387	618	397	628	141	109	—	34.0	39.0
EMVS, EMVK 20-20	2.2	403	675	413	685	175	144	—	44.3	48.8
EMVS, EMVK 20-30	4.0	453	783	463	793	221	174	—	59.5	64.0
EMVS, EMVK 20-40	5.5	530	925	540	935	275	195	300	84.3	88.8
EMVS, EMVK 20-50	5.5	575	970	585	980	275	195	300	85.7	90.2
EMVS, EMVK 20-60	7.5	620	1055	630	1065	275	195	300	95.1	99.6
EMVS, EMVK 20-70	7.5	665	1100	675	1110	275	195	300	96.5	101.0
EMVS, EMVK 20-80	11.0	787	1285	797	1295	334	263	350	173.6	178.1
EMVS, EMVK 20-100	11.0	877	1375	887	1385	334	263	350	176.4	180.9
EMVS, EMVK 20-120	15.0	967	1465	977	1475	334	263	350	179.2	183.7
EMVS, EMVK 20-140	15.0	1057	1555	1067	1565	334	263	350	182.0	186.5
EMVS, EMVK 20-170	18.5	1192	1734	1202	1744	334	263	350	208.2	212.7

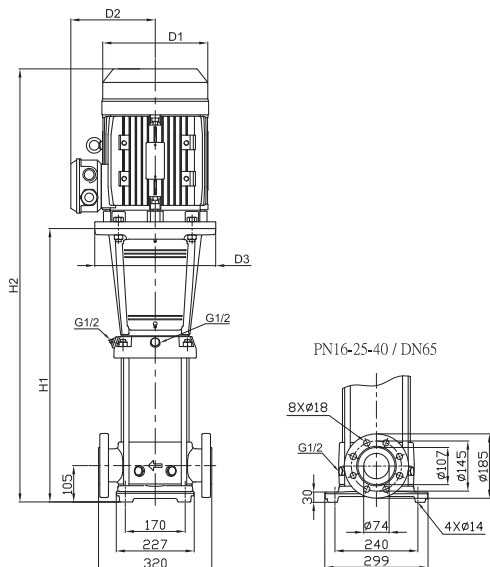




EMV-32

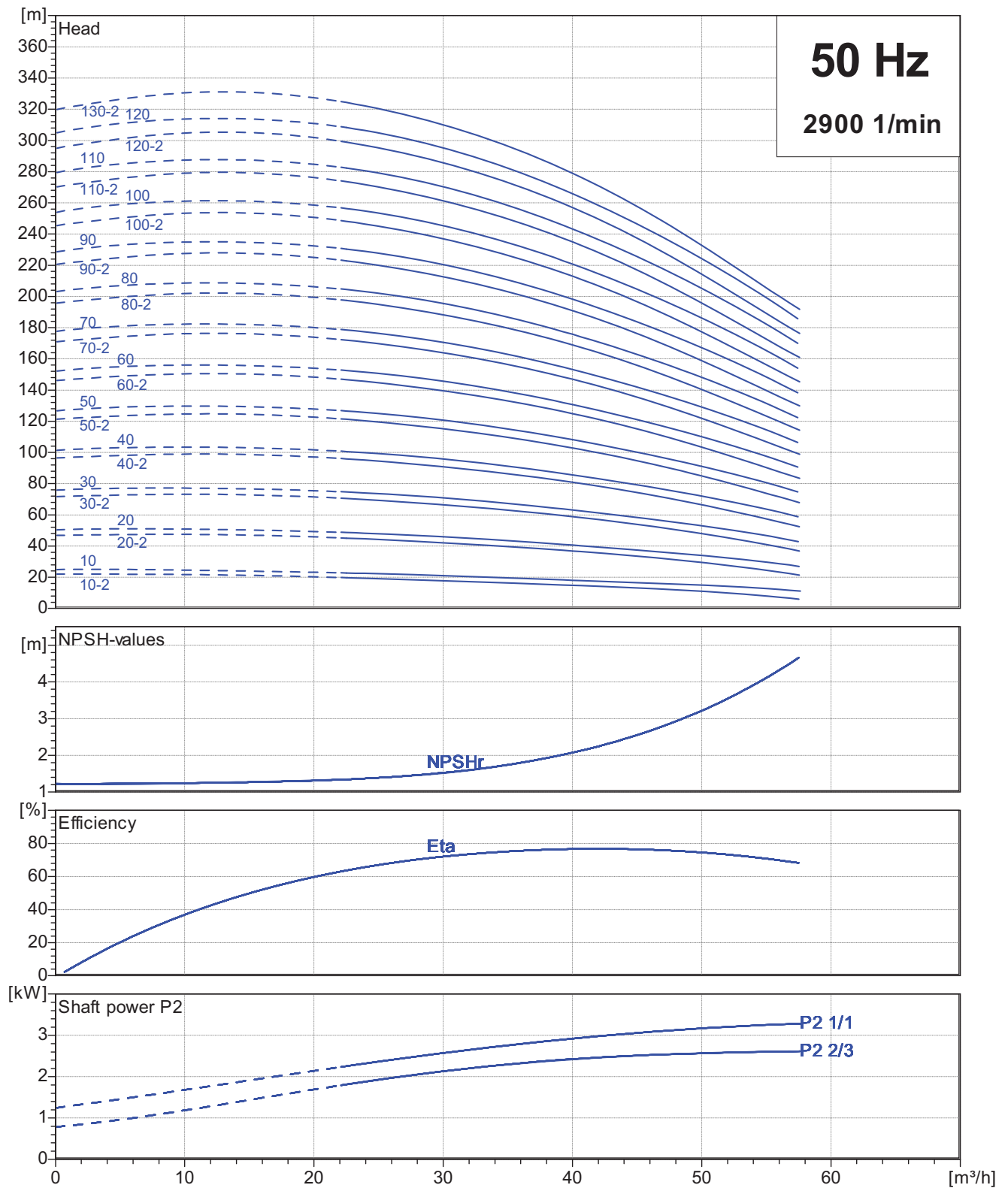


EMVS, EMVK-32



Pump type	Motor	Dimension [mm]					Net weight [kg]
	P2 [kW]	DIN flange		D1	D2	D3	DIN flange
		B1	B1 + B2				
EMV 32-10-1	1.5	504	750	175	144	280	69.5
EMV 32-10	2.2	504	776	175	144	280	71.5
EMV 32-20-2	3.0	574	898	198	153	280	81.5
EMV 32-20	4.0	574	904	221	174	280	88.5
EMV 32-30-2	5.5	644	1039	275	195	300	103.9
EMV 32-30	5.5	644	1039	275	195	300	103.9
EMV 32-40-2	7.5	714	1149	275	195	300	114.9
EMV 32-40	7.5	714	1149	275	195	300	114.9
EMV 32-50-2	11.0	894	1392	334	263	350	197.0
EMV 32-50	11.0	894	1392	334	263	350	197.0
EMV 32-60-2	11.0	964	1462	334	263	350	200.0
EMV 32-60	11.0	964	1462	334	263	350	200.0
EMV 32-70-2	15.0	1034	1532	334	263	350	203
EMV 32-70	15.0	1034	1532	334	263	350	203
EMV 32-80-2	15.0	1104	1602	334	263	350	206
EMV 32-80	15.0	1104	1602	334	263	350	206
EMV 32-90-2	18.5	1174	1716	334	263	350	231
EMV 32-90	18.5	1174	1716	334	263	350	231
EMV 32-100-2	18.5	1244	1786	334	263	350	233
EMV 32-100	18.5	1244	1786	334	263	350	234
EMV 32-110-2	22.0	1314	1876	382	305	350	277
EMV 32-110	22.0	1314	1876	382	305	350	277
EMV 32-120-2	22.0	1384	1946	382	305	350	279
EMV 32-120	22.0	1384	1946	382	305	350	279
EMV 32-130-2	30.0	1454	2054	382	305	400	321
EMV 32-130	30.0	1454	2054	382	305	400	321
EMV 32-140-2	30.0	1524	2124	382	305	400	324
EMV 32-140	30.0	1524	2124	382	305	400	324

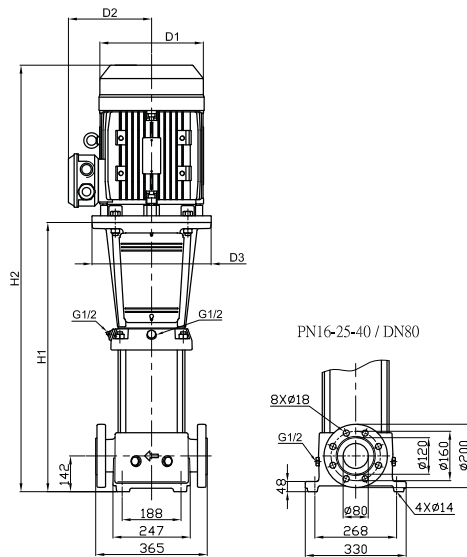
Pump type	Motor	Dimension [mm]					Net weight [kg]
	P2 [kW]	DIN flange		D1	D2	D3	DIN flange
		B1	B1 + B2				
EMVS/K 32-10-1	1.5	504	750	175	144	280	64.6
EMVS,/K 32-10	2.2	504	776	175	144	280	66.7
EMVS/K 32-20-2	3.0	574	898	198	153	280	76.6
EMVS/K 32-20	4.0	574	904	221	174	280	83.6
EMVS/K 32-30-2	5.5	644	1039	275	195	300	99.0
EMVS/K 32-30	5.5	644	1039	275	195	300	99.0
EMVS/K 32-40-2	7.5	714	1149	275	195	300	110.0
EMVS/K 32-40	7.5	714	1149	275	195	300	110.1
EMVS/K 32-50-2	11.0	894	1392	334	263	350	192.1
EMVS/K 32-50	11.0	894	1392	334	263	350	192.2
EMVS/K 32-60-2	11.0	964	1462	334	263	350	195.1
EMVS/K 32-60	11.0	964	1462	334	263	350	195.2
EMVS/K 32-70-2	15.0	1034	1532	334	263	350	198.2
EMVS/K 32-70	15.0	1034	1532	334	263	350	198.2
EMVS/K 32-80-2	15.0	1104	1602	334	263	350	201.4
EMVS/K 32-80	15.0	1104	1602	334	263	350	201.4
EMVS/K 32-90-2	18.5	1174	1716	334	263	350	226.0
EMVS/K 32-90	18.5	1174	1716	334	263	350	226.1
EMVS/K 32-100-2	18.5	1244	1786	334	263	350	228.6
EMVS/K 32-100	18.5	1244	1786	334	263	350	228.7
EMVS/K 32-110-2	22.0	1314	1876	382	305	350	272.0
EMVS/K 32-110	22.0	1314	1876	382	305	350	272.0
EMVS/K 32-120-2	22.0	1384	1946	382	305	350	274.6
EMVS/K 32-120	22.0	1384	1946	382	305	350	274.6
EMVS/K 32-130-2	30.0	1454	2054	382	305	400	316.5
EMVS/K 32-130	30.0	1454	2054	382	305	400	316.5
EMVS/K 32-140-2	30.0	1524	2124	382	305	400	319.1
EMVS/K 32-140	30.0	1524	2124	382	305	400	319.1



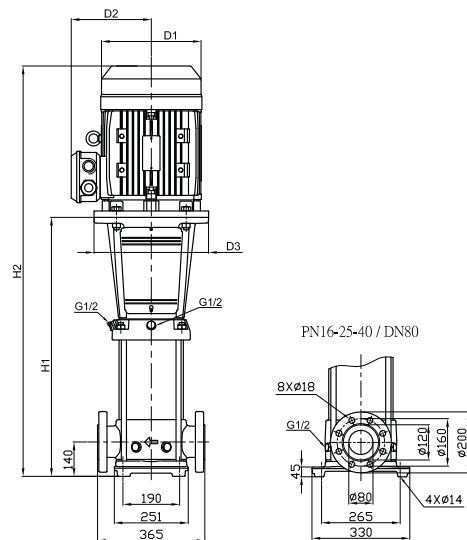
Dimensions and Weights

EMV, EMVS, EMVK-45

EMV-45

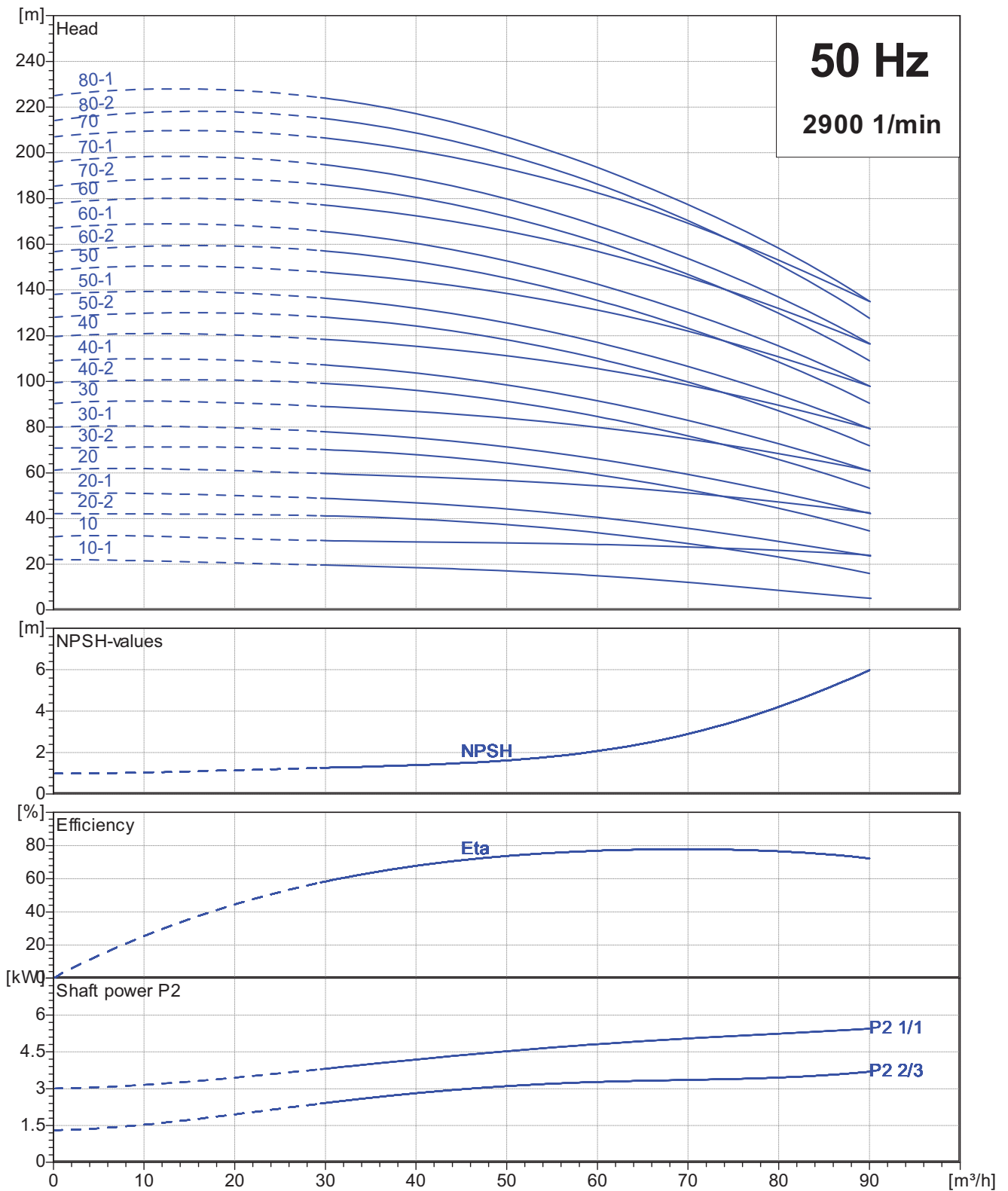


EMVS, EMVK-45

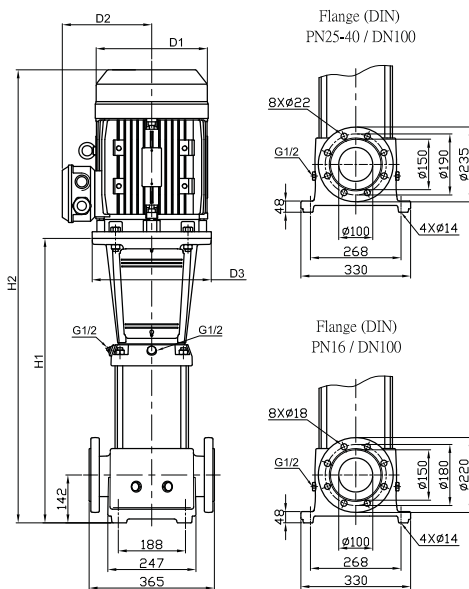


Pump type	Motor	Dimension [mm]					Net weight [kg]
	P2 [kW]	DIN flange		D1	D2	D3	DIN flange
		B1	B1 + B2				
EMV 45-10-1	3.0	561	881	196	148	280	87.8
EMV 45-10	4.0	561	896	219	162	280	94.8
EMV 45-20-2	5.5	641	1001	234	199	300	112.3
EMV 45-20	7.5	641	1041	234	199	300	121.4
EMV 45-30-2	11.0	831	1276	268	215	350	158.6
EMV 45-30	11.0	831	1276	268	215	350	158.6
EMV 45-40-2	15.0	911	1400	268	215	350	173.3
EMV 45-40	15.0	911	1400	268	215	350	173.3
EMV 45-50-2	18.5	991	1526	317	242	350	211.9
EMV 45-50	18.5	991	1526	317	242	350	211.9
EMV 45-60-2	22.0	1071	1650	317	242	350	226.4
EMV 45-60	22.0	1071	1650	317	242	350	226.4
EMV 45-70-2	30.0	1151	1774	317	290	400	315.3
EMV 45-70	30.0	1151	1774	317	290	400	315.3
EMV 45-80-2	30.0	1231	1854	317	290	400	318.9
EMV 45-80	30.0	1231	1854	317	290	400	319.0
EMV 45-90-2	30.0	1311	1934	317	290	400	322.6
EMV 45-90	37.0	1311	2036	398	365	400	391.6
EMV 45-100-2	37.0	1391	2116	398	365	400	395.2
EMV 45-100	37.0	1391	2116	398	365	400	395.2
EMV 45-110-2	45.0	1471	2196	398	365	450	426.8
EMV 45-110	45.0	1471	2196	398	365	450	426.8
EMV 45-120-2	45.0	1551	2276	398	365	450	430.4
EMV 45-120	45.0	1551	2276	398	365	450	430.4
EMV 45-130-2	45.0	1631	2356	398	365	450	434.0

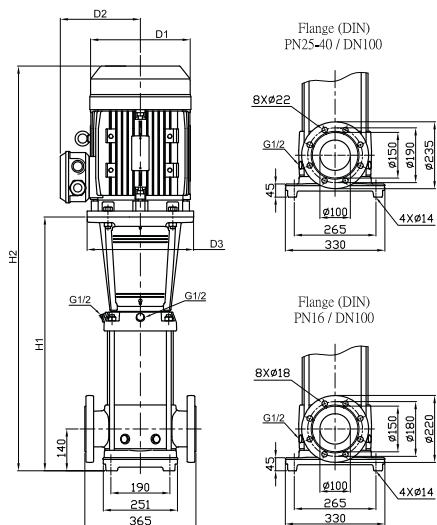
Pump type	Motor	Dimension [mm]					Net weight [kg]
	P2 [kW]	DIN flange		D1	D2	D3	DIN flange
		B1	B1 + B2				
EMVS/K 45-10-1	3.0	559	879	196	148	280	79.3
EMVS/K 45-10	4.0	559	894	219	162	280	86.3
EMVS/K 45-20-2	5.5	639	999	234	199	300	103.8
EMVS/K 45-20	7.5	639	1039	234	199	300	112.8
EMVS/K 45-30-2	11.0	829	1274	268	215	350	150.0
EMVS/K 45-30	11.0	829	1274	268	215	350	150.1
EMVS/K 45-40-2	15.0	909	1398	268	215	350	164.7
EMVS/K 45-40	15.0	909	1398	268	215	350	164.7
EMVS/K 45-50-2	18.5	989	1524	317	242	350	203.4
EMVS/K 45-50	18.5	989	1524	317	242	350	203.4
EMVS/K 45-60-2	22.0	1069	1648	317	242	350	217.8
EMVS/K 45-60	22.0	1069	1648	317	242	350	217.8
EMVS/VK 45-70-2	30.0	1149	1772	317	290	400	306.7
EMVS/K 45-70	30.0	1149	1772	317	290	400	306.7
EMVS/K 45-80-2	30.0	1229	1852	317	290	400	310.4
EMVS/K 45-80	30.0	1229	1852	317	290	400	310.4
EMVS/K 45-90-2	30.0	1309	1932	317	290	400	383.1
EMVS/K 45-90	37.0	1309	2034	398	365	400	383.1
EMVS/K 45-100-2	37.0	1389	2114	398	365	400	386.7
EMVS/K 45-100	37.0	1389	2114	398	365	400	386.7
EMVS/K 45-110-2	45.0	1469	2194	398	365	450	418.3
EMVS/K 45-110	45.0	1469	2194	398	365	450	418.3
EMVS/K 45-120-2	45.0	1549	2274	398	365	450	421.9
EMVS/K 45-120	45.0	1549	2274	398	365	450	421.9
EMVS/K 45-130-2	45.0	1629	2354	398	365	450	425.5



EMV-64

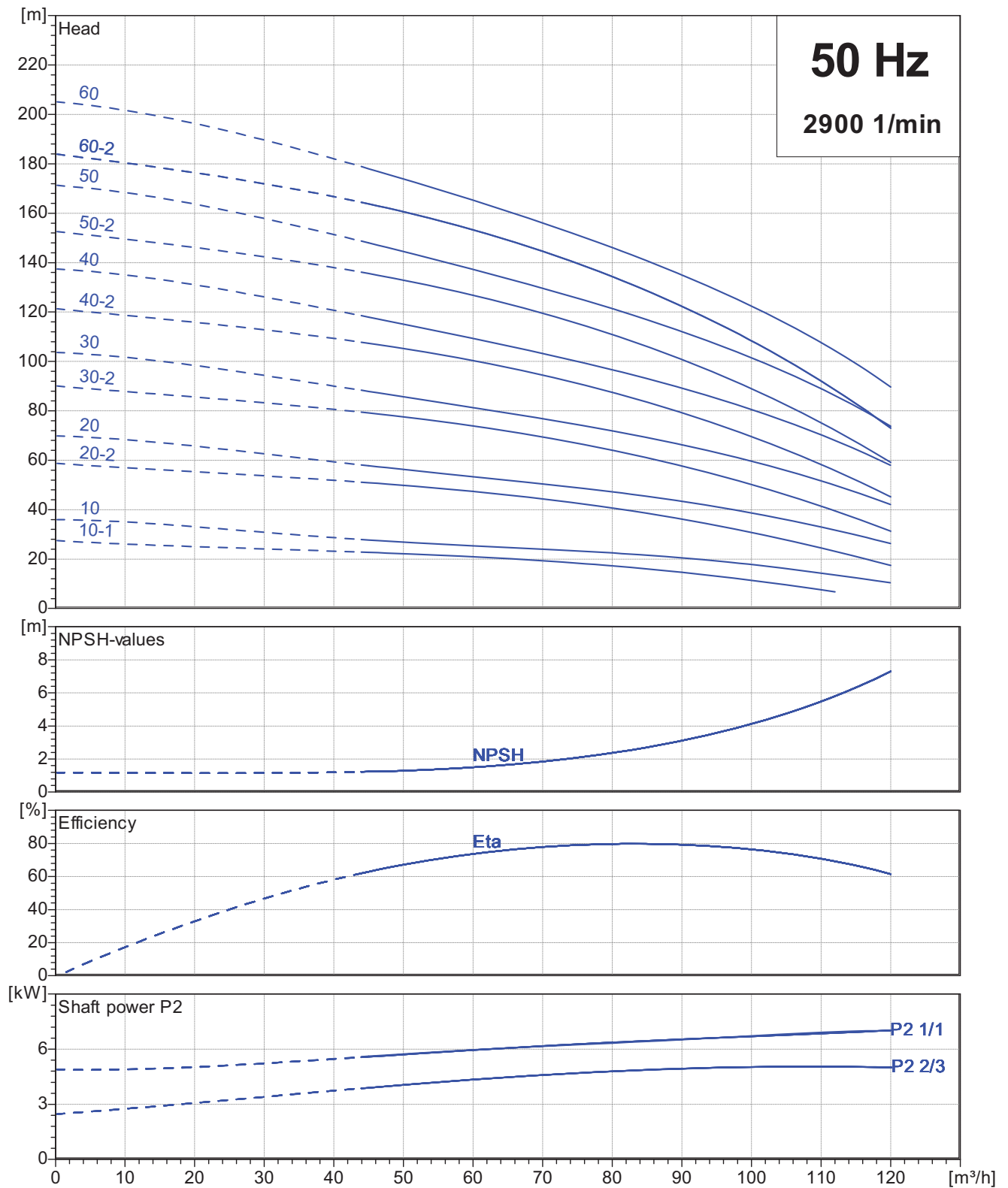


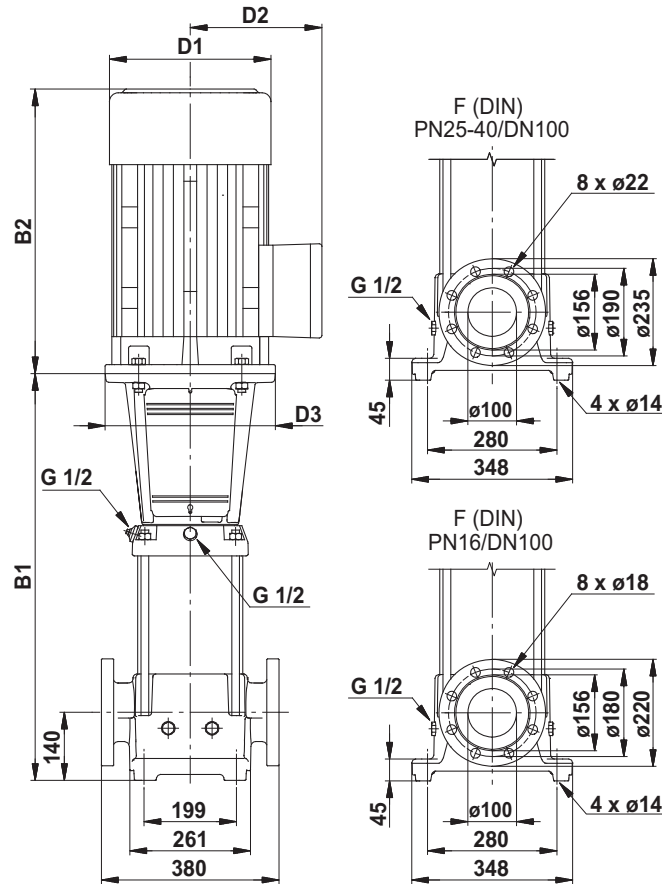
EMVS, EMVK-64



Pump type	Motor	Dimension [mm]					Net weight [kg]
	P2 [kW]	DIN flange		D1	D2	D3	DIN flange
		B1	B1 + B2				
EMV 64-10-1	4.0	563	898	219	162	280	91.0
EMV 64-10	5.5	563	923	234	199	300	102.0
EMV 64-20-2	7.5	646	1046	234	199	300	114.0
EMV 64-20-1	11.0	756	1201	268	215	350	173.0
EMV 64-20	11.0	756	1201	268	215	350	173.0
EMV 64-30-2	15.0	838	1327	268	215	350	203.0
EMV 64-30-1	15.0	838	1327	268	215	350	203.0
EMV 64-30	18.5	838	1373	317	242	350	217.0
EMV 64-40-2	18.5	921	1456	317	242	350	221.0
EMV 64-40-1	22.0	921	1500	317	242	350	259.0
EMV 64-40	22.0	921	1500	317	242	350	259.0
EMV 64-50-2	30.0	1003	1626	317	290	400	377.0
EMV 64-50-1	30.0	1003	1626	317	290	400	377.0
EMV 64-50	30.0	1003	1626	317	290	400	377.0
EMV 64-60-2	30.0	1086	1709	317	290	400	382.0
EMV 64-60-1	37.0	1086	1811	398	365	400	380.0
EMV 64-60	37.0	1086	1811	398	365	400	380.0
EMV 64-70-2	37.0	1168	1893	398	365	400	384.0
EMV 64-70-1	37.0	1168	1893	398	365	400	384.0
EMV 64-70	45.0	1172	1897	398	365	450	447.0
EMV 64-80-2	45.0	1255	1980	398	365	450	451.0
EMV 64-80-1	45.0	1255	1980	398	365	450	451.0

Pump type	Motor	Dimension [mm]					Net weight [kg]
	P2 [kW]	DIN flange		D1	D2	D3	DIN flange
		B1	B1 + B2				
EMVS/K 64-10-1	4.0	563	898	219	162	280	91.0
EMVS/K 64-10	5.5	563	923	234	199	300	102.0
EMVS/K 64-20-2	7.5	646	1046	234	199	300	114.0
EMVS/K 64-20-1	11.0	756	1201	268	215	350	173.0
EMVS/K 64-20	11.0	756	1201	268	215	350	173.0
EMVS/K 64-30-2	15.0	838	1327	268	215	350	203.0
EMVS/K 64-30-1	15.0	838	1327	268	215	350	203.0
EMVS/K 64-30	18.5	838	1373	317	242	350	217.0
EMVS/K 64-40-2	18.5	921	1456	317	242	350	221.0
EMVS/K 64-40-1	22.0	921	1500	317	242	350	259.0
EMVS/K 64-40	22.0	921	1500	317	242	350	259.0
EMVS/K 64-50-2	30.0	1003	1626	317	290	400	377.0
EMVS/K 64-50-1	30.0	1003	1626	317	290	400	377.0
EMVS/K 64-50	30.0	1003	1626	317	290	400	377.0
EMVS/K 64-60-2	30.0	1086	1709	317	290	400	382.0
EMVS/K 64-60-1	37.0	1086	1811	398	365	400	380.0
EMVS/K 64-60	37.0	1086	1811	398	365	400	380.0
EMVS/K 64-70-2	37.0	1168	1893	398	365	400	384.0
EMVS/K 64-70-1	37.0	1168	1893	398	365	400	384.0
EMVS/K 64-70	45.0	1172	1897	398	365	450	447.0
EMVS/K 64-80-2	45.0	1255	1980	398	365	450	451.0
EMVS/K 64-80-1	45.0	1255	1980	398	365	450	451.0





Pump type	Motor	Dimension [mm]					Net weight [kg]
	P2	DIN flange		D1	D2	D3	DIN flange
	[kW]	B1	B1 + B2				
EMV/S/K 90-10-1	5.5	571	962	220	134	298	107.0
EMV/S/K 90-10	7.5	571	962	220	134	298	109.0
EMV/S/K 90-20-2	11.0	773	1271	334	263	377	179.0
EMV/S/K 90-20	15.0	773	1271	263	377	377	204.0
EMV/S/K 90-30	18.5	865	1363	263	377	377	223.0
EMV/S/K 90-30-2	22.0	865	1427	382	305	421	261.0
EMV/S/K 90-40-2	30.0	957	1617	420	372	469	379.0
EMV/S/K 90-40	30.0	957	1617	420	372	469	379.0
EMV/S/K 90-50-2	37.0	1049	1709	420	372	469	382.0
EMV/S/K 90-50	37.0	1049	1709	420	372	469	382.0
EMV/S/K 90-60-2	45.0	1141	1817	427	524	466	446.0
EMV/S/K 90-60	45.0	1141	1817	427	524	466	446.0



Euroflo Pumps International Pte Ltd

Contact Mr.Steven Kek Mobile Phone :+6019-2230287