



United Technologies

## PRODUCT DATA

40LM120/150/200

# CHILLED WATER FAN COIL UNIT



## TABLE OF CONTENTS

<b>DESCRIPTIONS</b>	<b>PAGE</b>
<b>FEATURES &amp; SPECIFICATIONS</b>	<b>2</b>
<b>PHYSICAL DIMENSION - UNIT SIZE 40LM120</b>	<b>3</b>
<b>PHYSICAL DIMENSION - UNIT SIZE 40LM150</b>	<b>4</b>
<b>PHYSICAL DIMENSION - UNIT SIZE 40LM200</b>	<b>5</b>
<b>PERFORMANCE DATA COOLING CAPACITIES</b> <b>40LM120</b> <b>40LM150</b> <b>40LM200</b>	<b>6~8</b>
<b>PERFORMANCE DATA COIL PRESSURE DROP</b> <b>40LM120</b> <b>40LM150</b> <b>40LM200</b>	<b>9</b>
<b>FAN PERFORMANCE</b> <b>40LM120</b> <b>40LM150</b> <b>40LM200</b>	<b>10</b>
<b>SOUND PRESSURE LEVEL DATA</b>	<b>11</b>
<b>FAN MOTOR AND DRIVES</b>	<b>12</b>
<b>GUIDE SPECIFICATIONS</b>	<b>13</b>

# FEATURES & SPECIFICATIONS

## The New, Versatile and Flexibility in Commercial Air Conditioning System

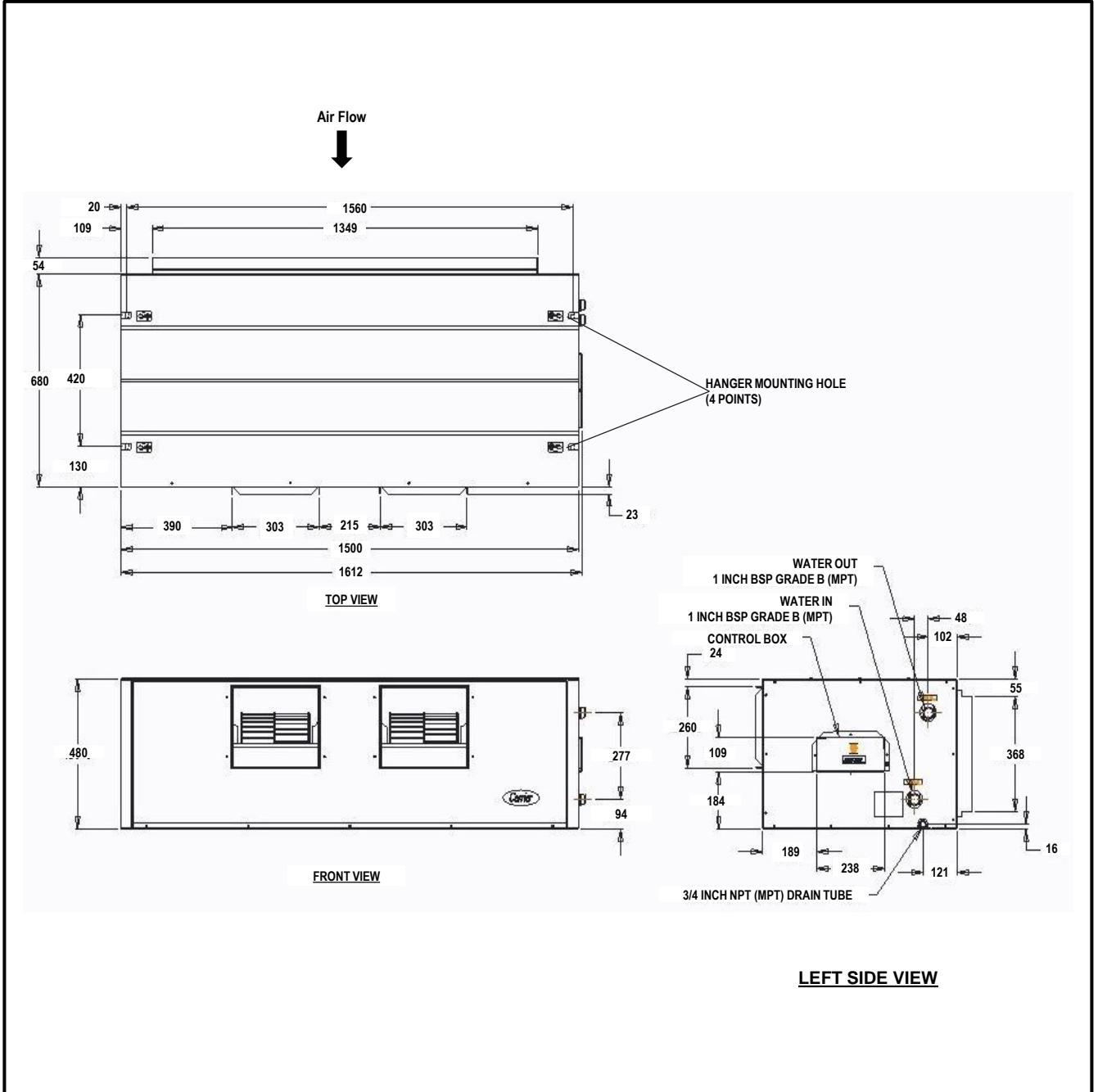
- Chilled Water Furred-in model with Plenum Fan Coil units.
- The low silhouette styling of this unit makes it a popular choice for the “in-the-ceiling” or “over the closet” applications in all types of building.
- Horizontal ducted application. The 40LM150 & 200 can easily be converted to vertical (floor standing) ducted application.
- Insulated & painted condensate drain pan and a factory fitted frame complete with filter media. (Filter media is optional for 40LM150 & 200).
- Integral filter frame with 2” filter media as standard (frame capable of adapting 1” filter media).
- 40LM120 is standard factory supplied with 3-speed direct drive motor.
- 40LM150 & 200 is standard factory supplied with TEFC Induction motor and taper lock pulleys with wedge belts.
- Standard copper tube aluminum fins (Cu/Al) evaporator coil for maximum heat transfer.
- Carrier Lanced Sine Wave fin pattern ensures energy efficient performance.
- Units piping connection as below (in the direction of air flow):
  - a) 40LM120 → LEFT-HAND CONNECTION
  - b) 40LM150~200 → RIGHT-HAND CONNECTION (Vertical)  
LEFT-HAND CONNECTION (Horizontal)

TYPE		CHILLED WATER FAN COIL		
MODEL		40LM120	40LM150	40LM200
<b>NOMINAL CAPACITY</b>	<i>kW</i>	34.8	44	58.6
	<i>Btu/hr</i>	119 000	150 000	199 940
<b>AIR QUANTITY</b>	<i>Range (l/s)</i>	1280 - 1753	421 - 659	2000 ~ 3400
<b>NOMINAL POWER SUPPLY</b>	<i>V/Ph/Hz</i>	230/1/50	400/3/50	400/3/50
<b>FAN</b>	<b>Type Centrifugal Forward Curved Blades</b>			
	<b>Drive</b>	Direct Drive	Belt Drive	Belt Drive
	<b>Quantity</b> <i>pcs</i>	2	1	1
	<b>Max Rev</b> <i>rpm</i>	150	1200	1200
	<b>Diameter</b> <i>mm</i>	241	400	400
<b>FAN MOTOR</b>	<b>Type</b>			
	<b>Quantity</b> <i>pcs</i>	PSC, 3 Speeds	TEFC	TEFC
	<b>Power Input</b> <i>kW</i>	1	1	1
	<b>Full Load Amps</b> <i>A</i>	1.41	2.2	3
	<b>Rev</b> <i>rpm</i>	7.4	5.08 @ 400V	6.72 @ 400V
<b>COIL</b>	<b>Type Copper Tube, Aluminium Plate Fins</b>			
	<b>Row - Fins/in</b>	1405	1400	1430
	<b>Face Area</b> <i>m<sup>2</sup></i>	4 - 14	4 - 12	4 - 12
<b>FILTER</b>	<b>Type Washable / Throw Away</b>			
	<b>Size (H x W x D)</b> <i>mm</i>	0.61	1.01	1.36
	<b>Quantity</b> <i>pcs</i>	398 x 1344 x 12	406 x 635 x 25	406 x 635/508 x 25
<b>CONNECTIONS</b>	<b>Supply</b> <i>mm</i>	1	4	2 & 4
	<b>Return</b> <i>mm</i>	25.4 BSP MPT	38.1 BSP MPT	50.8 BSP MPT
	<b>Drain Pipe</b> <i>mm</i>	25.4 BSP MPT	38.1 BSP MPT	50.8 BSP MPT
<b>NET WEIGHT</b>	<i>Kg</i>	19.05 NPT MPT	19.05 NPT MPT	19.05 NPT MPT
<b>DIMENSIONS</b>	<b>Height</b> <i>mm</i>	117	200	200
	<b>Width</b> <i>mm</i>	480	1487	1541
	<b>Length</b> <i>mm</i>	1600	1346	1651
		680	710	764

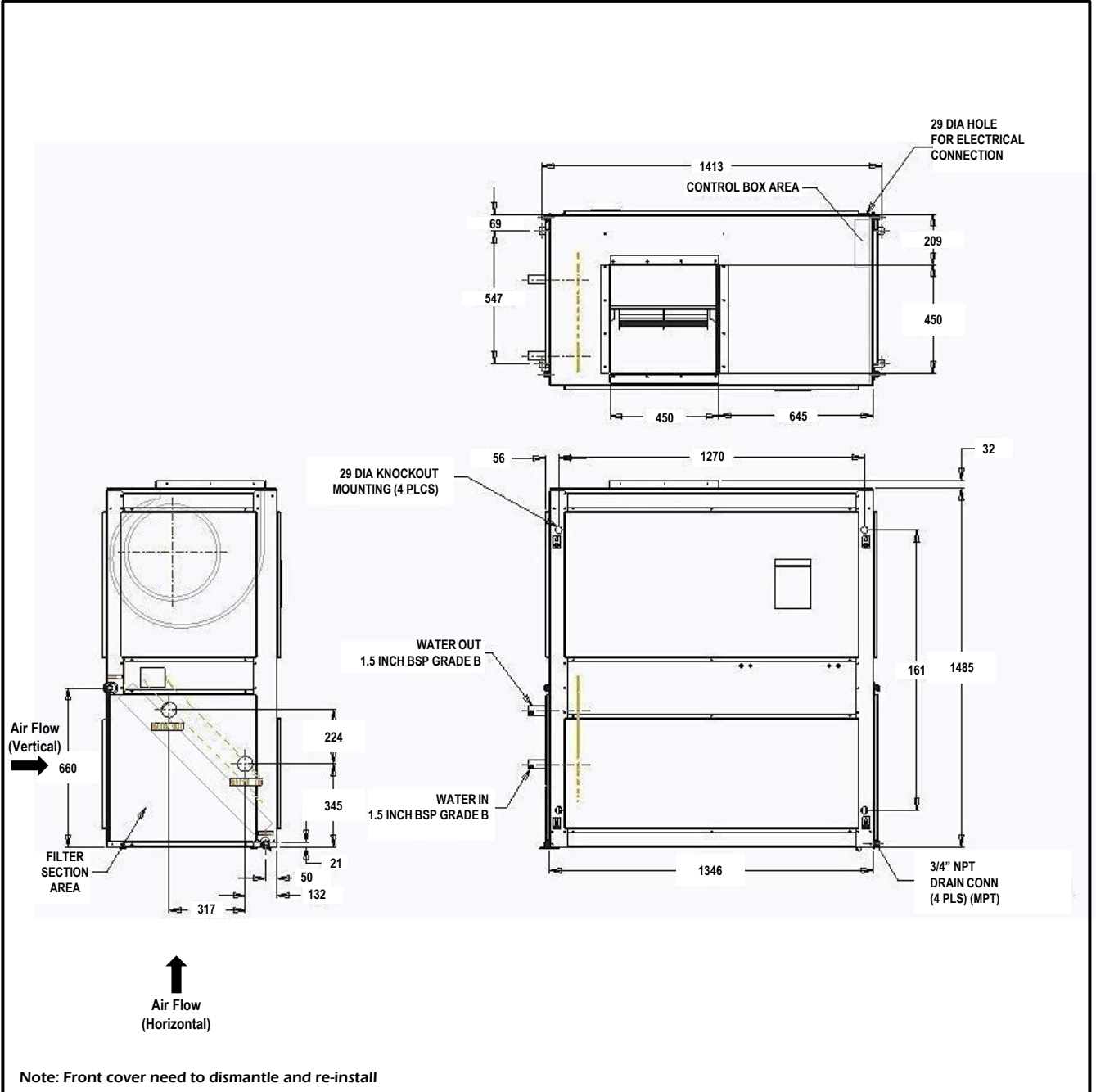
FLA: FULL LOAD AMPS      FPI: FINS PER INCH  
 Note: Voltage allowance 380~415V

# PHYSICAL DIMENSION

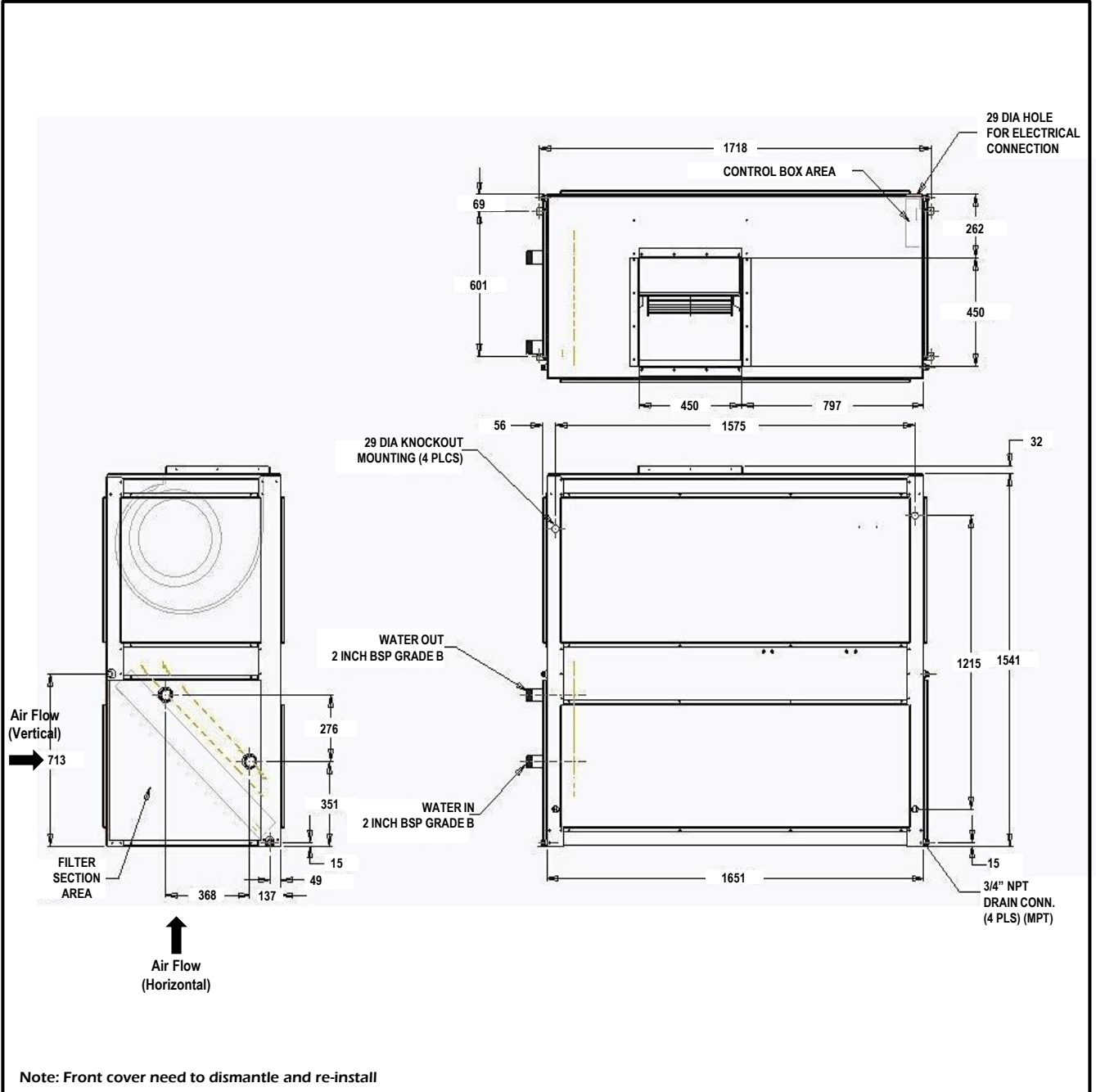
## UNIT SIZE 40LM120



**UNIT SIZE 40LM150**



## UNIT SIZE 40LM200



# PERFORMANCE DATA COOLING CAPACITIES

## MODEL: 40LM120

Air Quality (l/s)	Ent Chilled Water Temp (°C)	Chilled Water Flow (l/min)	Ent Air Temperature DB/WB (°C)					
			25.0 / 17.0		27.0 / 19.5		29.0 / 22.0	
			TC	SHC	TC	SHC	TC	SHC
1000	5	45	20.3	17.0	24.7	17.6	29.9	18.2
		90	23.8	18.7	30.0	19.9	36.7	21.0
		135	25.4	19.4	32.1	20.8	39.4	22.2
	6	45	18.9	16.3	23.3	17.0	28.2	17.6
		90	22.1	17.9	28.1	19.1	34.9	20.2
		135	23.4	18.5	30.2	20.0	37.4	21.3
	7	45	17.6	15.7	21.8	16.4	26.6	16.9
		90	20.4	17.1	26.3	18.3	32.9	19.4
		135	21.6	17.7	28.2	19.1	35.4	20.4
	8	45	16.3	15.1	20.3	15.7	25.1	16.3
		90	18.7	16.3	24.4	17.5	31.0	18.6
		135	19.8	16.8	26.2	18.2	33.4	19.6
9	45	15.0	14.4	18.8	15.1	23.5	15.7	
	90	17.0	15.5	22.5	16.7	29.0	17.8	
	135	17.9	16.0	24.1	17.4	31.3	18.7	
1300	5	45	22.9	20.1	27.5	20.7	32.7	21.1
		90	27.5	22.5	34.3	23.7	41.9	24.7
		135	29.6	23.5	37.4	25.0	45.8	26.4
	6	45	21.4	19.4	25.8	20.0	31.0	20.4
		90	25.6	21.6	32.1	22.8	39.7	23.8
		135	27.5	22.5	35.1	24.0	43.5	25.4
	7	45	20.0	18.7	24.3	19.3	29.3	19.8
		90	23.6	20.6	30.0	21.8	37.5	23.0
		135	25.4	21.5	32.8	23.0	41.1	24.4
	8	45	18.6	17.9	22.7	18.6	27.6	19.1
		90	21.8	19.7	27.8	20.9	35.2	22.1
		135	23.2	20.5	30.4	22.0	38.7	23.4
9	45	17.3	17.1	21.1	18.0	25.9	18.5	
	90	19.9	18.9	25.8	20.1	32.9	21.2	
	135	21.1	19.5	27.9	21.0	36.2	22.4	
1820	5	45	26.2	24.6	30.8	25.2	36.1	25.4
		90	32.2	28.0	39.5	29.1	48.1	30.1
		135	35.4	29.6	44.2	31.1	54.0	32.4
	6	45	24.7	23.7	29.1	24.4	34.2	24.7
		90	30.1	26.9	37.2	28.1	45.5	29.1
		135	32.8	28.4	41.4	29.9	51.1	31.2
	7	45	23.3	22.8	27.4	23.7	32.4	24.0
		90	28.1	25.9	34.8	27.1	42.9	28.1
		135	30.3	27.1	38.5	28.7	48.3	30.1
	8	45	21.8	21.8	25.8	22.9	30.6	23.3
		90	25.9	24.8	32.4	26.1	40.1	27.0
		135	28.0	26.0	35.8	27.5	45.3	29.0
9	45	20.5	20.5	24.1	22.1	28.7	22.5	
	90	24.0	23.6	30.0	25.1	37.6	26.1	
	135	25.6	24.7	33.1	26.4	42.4	27.9	

# PERFORMANCE DATA COOLING CAPACITIES

## MODEL: 40LM150

Air Quality (l/s)	Ent Chilled Water Temp (°C)	Chilled Water Flow (l/min)	Ent Air Temperature DB/WB (°C)					
			25.0 / 17.0		27.0/ 19.5		29.0 / 22.0	
			TC	SHC	TC	SHC	TC	SHC
1700	5	55	29.4	26.0	35.0	26.6	41.5	27.1
		110	35.8	29.2	44.4	30.6	54.2	32.0
		165	38.8	30.3	48.9	32.6	59.9	34.4
	6	55	27.6	25.1	33.1	25.8	39.4	26.2
		110	33.3	28.1	41.6	29.5	51.3	30.9
		165	36.1	29.4	45.9	31.3	56.8	33.1
	7	55	25.8	24.2	31.0	24.9	37.3	25.4
		110	30.8	26.9	38.9	28.4	48.5	29.7
		165	33.3	28.1	42.8	29.9	53.7	31.8
	8	55	24.1	23.2	29.1	24.1	35.1	24.6
		110	28.6	25.9	36.2	27.2	45.5	28.6
		165	30.4	26.8	39.7	28.7	50.5	30.5
9	55	22.5	22.2	27.1	23.2	33.1	23.9	
	110	26.1	24.6	33.5	26.1	42.5	27.4	
	165	27.8	25.6	36.6	27.4	47.3	29.2	
2100	5	55	32.4	29.9	37.9	30.6	44.5	30.8
		110	40.1	34.2	49.1	35.5	59.8	36.7
		165	44.1	36.1	55.0	37.9	67.2	39.7
	6	55	30.5	28.9	35.9	29.6	42.3	29.9
		110	37.4	32.9	46.2	34.2	56.6	35.4
		165	41.0	34.6	51.6	36.5	63.7	38.2
	7	55	28.7	27.8	33.9	28.8	39.9	29.1
		110	34.9	31.6	43.3	33.0	53.3	34.2
		165	37.8	33.2	48.1	35.0	60.2	36.8
	8	55	26.9	26.7	31.8	27.8	37.7	28.2
		110	32.2	30.3	40.3	31.8	50.0	33.0
		165	34.9	31.7	44.7	33.6	56.6	35.4
9	55	25.3	25.3	29.7	26.8	35.5	27.4	
	110	29.8	28.9	37.3	30.5	46.7	31.8	
	165	31.9	30.3	41.3	32.2	52.9	34.0	
2600	5	55	35.0	33.3	40.4	33.9	46.8	34.1
		110	43.7	38.5	53.0	39.7	63.8	40.8
		165	48.4	40.8	59.9	42.6	73.0	44.3
	6	55	32.9	31.9	38.2	32.9	44.4	33.2
		110	40.9	37.0	49.9	38.4	60.4	39.5
		165	44.9	39.2	56.1	41.1	69.2	42.7
	7	55	31.0	30.8	36.0	32.0	42.1	32.3
		110	38.1	35.7	46.7	37.1	56.9	38.2
		165	41.7	37.7	52.3	39.5	65.2	41.2
	8	55	29.3	29.3	33.9	30.9	39.8	31.4
		110	35.5	34.2	43.5	35.8	53.5	36.8
		165	38.6	36.1	48.7	38.0	61.3	39.8
9	55	27.6	27.6	31.9	29.8	37.6	30.4	
	110	32.9	32.6	40.4	34.4	50.1	35.6	
	165	35.5	34.4	45.1	36.5	57.3	38.3	



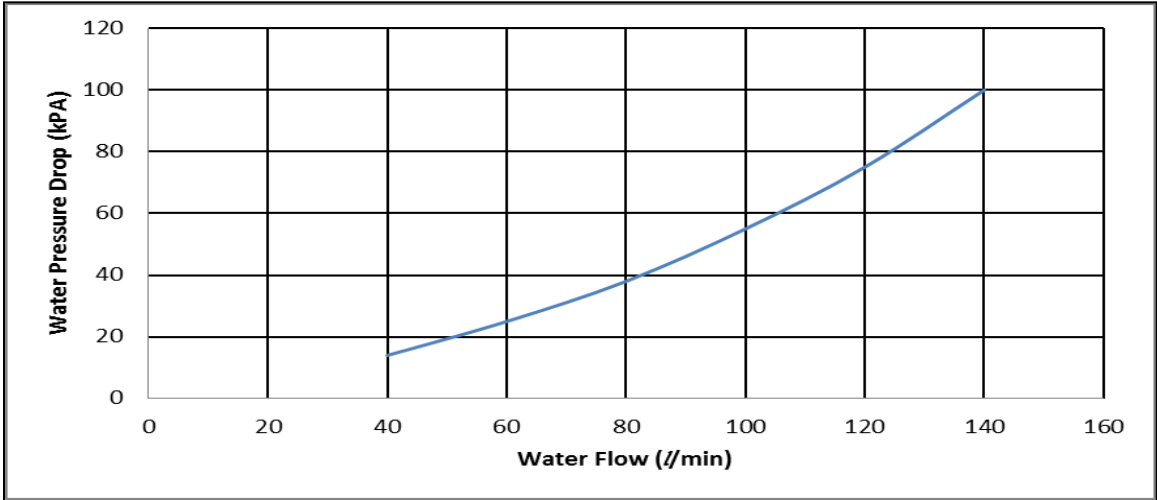
# PERFORMANCE DATA COOLING CAPACITIES

## MODEL: 40LM200

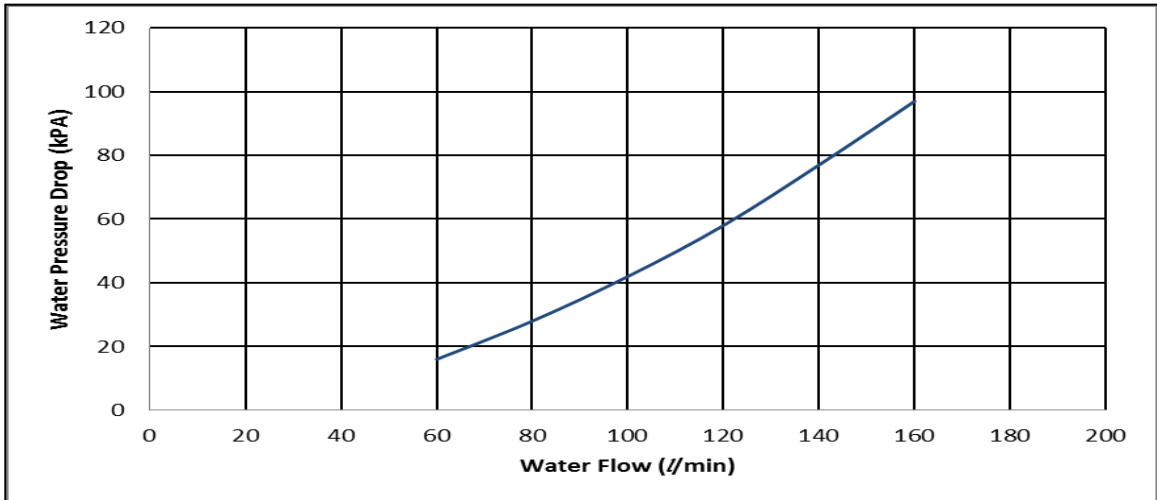
Air Quality (l/s)	Ent Chilled Water Temp (°C)	Chilled Water Flow (l/min)	Ent Air Temperature DB/WB (°C)						
			25.0 / 17.0		27.0/ 19.5		29.0 / 22.0		
			TC	SHC	TC	SHC	TC	SHC	
2000	5	73	37.8	32.3	45.6	33.3	54.3	34.0	
		145	45.2	35.9	56.5	38.0	69.1	40.0	
		218	48.6	37.5	61.4	40.1	75.3	42.6	
	6	73	35.4	31.1	42.9	32.2	51.5	32.9	
		145	42.1	34.5	53.1	36.5	65.5	38.5	
		218	45.1	35.9	57.7	38.5	71.5	40.9	
	7	73	33.0	29.9	40.2	31.0	48.7	31.7	
		145	38.9	33.0	49.5	35.0	61.9	36.9	
		218	41.6	34.3	53.9	36.8	67.6	39.3	
	8	73	30.6	28.8	37.5	29.9	45.9	30.8	
		145	35.7	31.6	45.9	33.5	58.2	35.5	
		218	38.1	32.7	50.0	35.2	63.7	37.6	
	9	73	28.5	27.6	34.9	28.8	43.0	29.7	
		145	32.7	30.1	42.5	32.1	54.4	34.0	
		218	34.5	31.1	46.1	33.6	59.8	36.1	
	2800	5	73	44.0	40.1	51.7	40.9	60.8	41.4
			145	54.3	45.6	66.7	47.6	81.1	49.3
			218	59.4	48.2	74.3	50.8	90.8	53.2
6		73	41.4	38.7	48.9	39.7	57.7	40.2	
		145	50.6	44.0	62.6	45.9	76.7	47.6	
		218	55.2	46.2	69.7	48.8	86.1	51.3	
7		73	38.9	37.2	46.1	38.5	54.9	39.2	
		145	47.0	42.2	58.6	44.2	72.4	45.9	
		218	51.0	44.2	65.0	46.9	81.2	49.3	
8		73	36.5	35.7	43.2	37.1	51.8	37.9	
		145	43.5	40.4	54.6	42.5	67.9	44.3	
		218	46.8	42.3	60.3	44.9	76.4	47.4	
9		73	34.1	34.1	40.4	35.9	48.6	36.8	
		145	40.1	38.6	50.6	40.8	63.5	42.6	
		218	42.9	40.4	55.6	43.0	71.4	45.5	
3400		5	73	47.3	44.5	55.0	45.4	63.9	45.7
			145	59.0	51.4	71.8	53.2	86.7	54.6
			218	65.2	54.5	80.9	57.0	98.6	59.3
	6	73	44.7	42.8	52.4	44.2	60.7	44.5	
		145	55.2	49.4	67.6	51.3	82.0	52.9	
		218	60.6	52.3	75.9	54.9	93.4	57.3	
	7	73	42.1	41.2	49.1	42.7	57.4	43.3	
		145	51.5	47.6	63.2	49.6	77.3	51.0	
		218	56.1	50.2	70.7	52.9	88.1	55.2	
	8	73	39.5	39.4	46.1	41.4	54.2	43.0	
		145	47.7	45.6	58.9	47.7	72.6	49.3	
		218	51.8	48.0	65.7	50.7	82.8	53.2	
	9	73	37.2	37.2	43.2	39.9	51.2	40.7	
		145	44.3	43.5	54.6	45.9	67.9	47.5	
		218	47.6	45.8	60.8	48.7	77.4	51.1	

# PERFORMANCE DATA COIL PRESSURE DROP

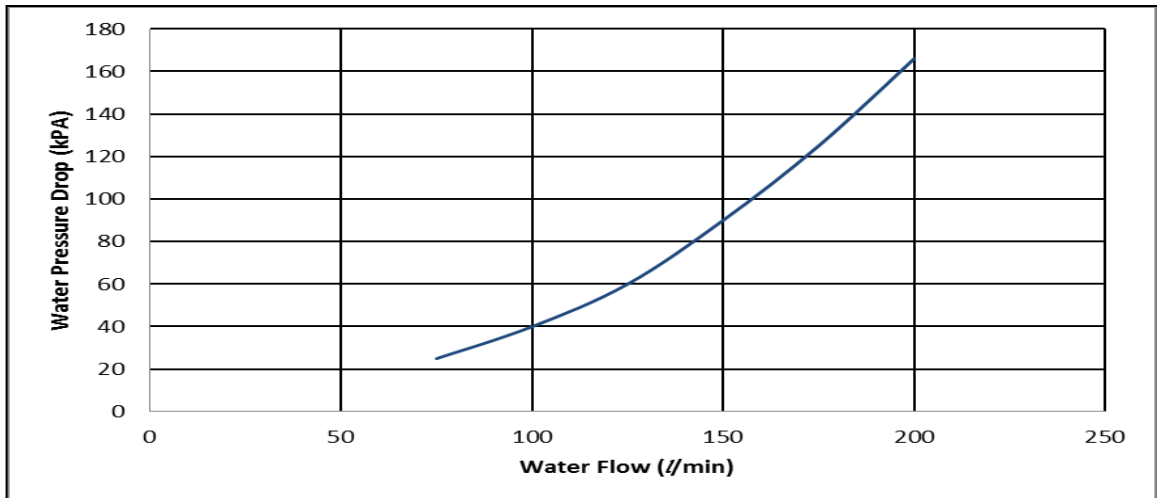
## 40LM120



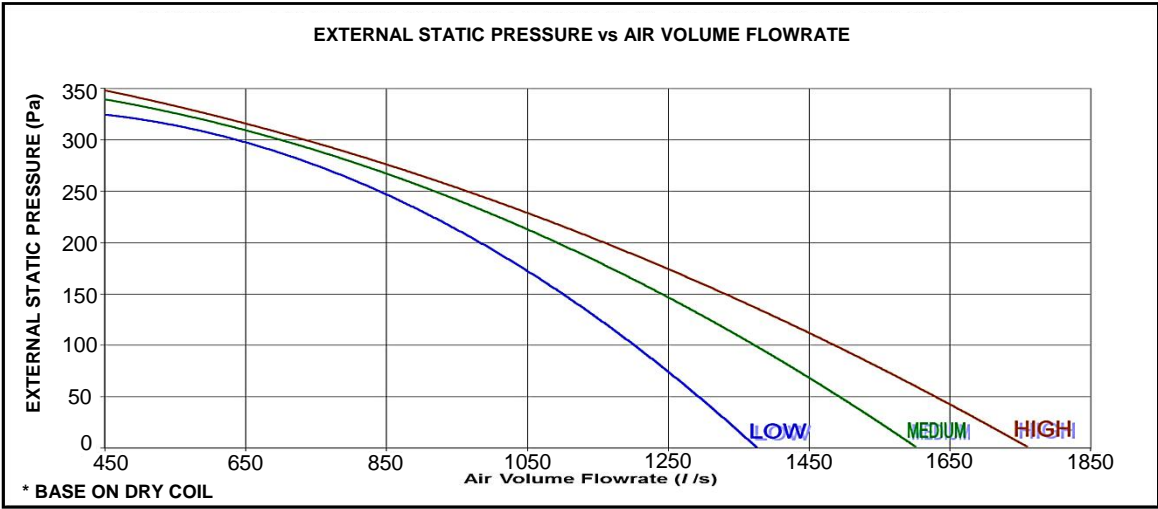
## 40LM150



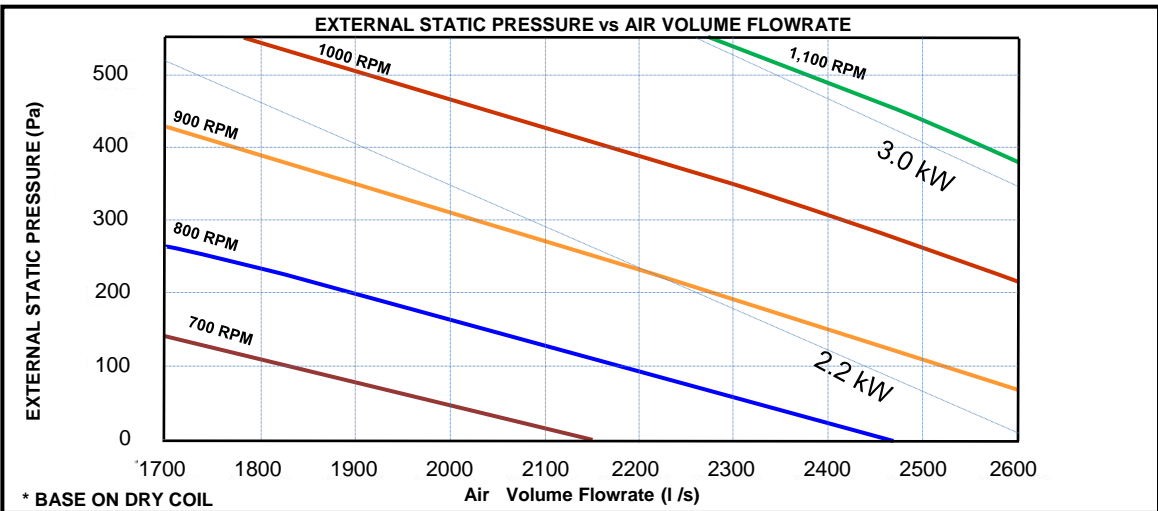
## 40LM200



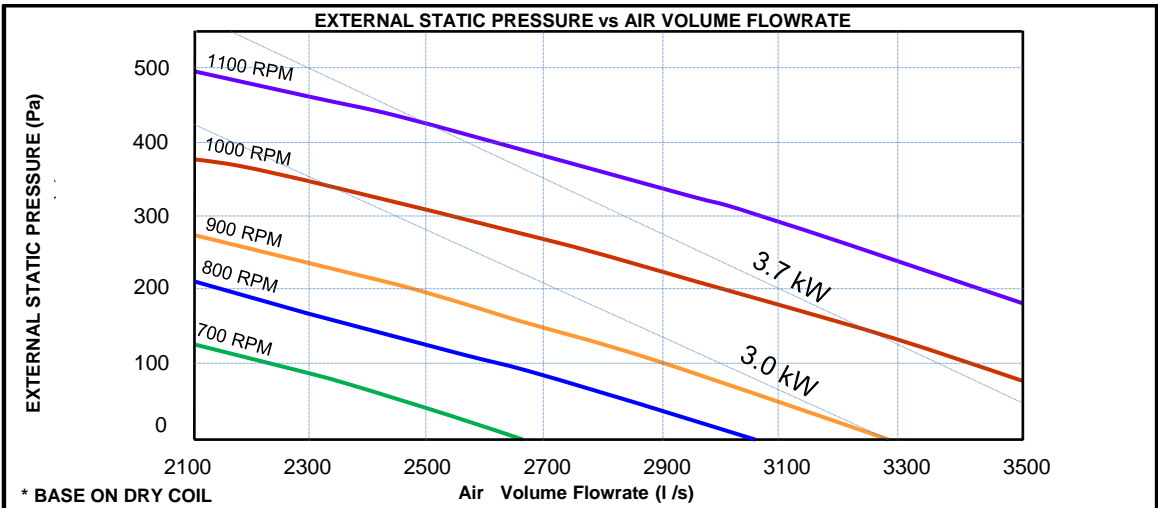
## 40LM120



## 40LM150



## 40LM200



# SOUND PRESSURE LEVEL DATA

MODEL		OCTAVE BAND CENTRE FREQUENCY Hz								
		63	125	250	500	1000	2000	4000	8000	dB(A)
40LM120	H	30	40	48	48	53	54	45	35	58
	M	28	37	45	46	51	53	44	34	56
	L	25	35	40	42	49	50	41	30	53
40LM150	<small>Ref. Note.2</small>	41.6	51.0	52.6	52.1	51.3	50.6	45.8	37.1	59.0
40LM200	<small>Ref. Note.2</small>	43.5	51.6	53.4	55.2	53.3	51.5	47.2	41.9	60.7

- Note:**
1. Sound measurement in accordance with standard JIS B8616-2006 (1.5 Meter below the unit bottom at 8mm ESP).
  2. At STD fan RPM

# FAN MOTOR AND DRIVES

UNIT 40LM	FAN MOTOR		FAN (RPM)	PITCH DIA (mm)		BELT (SPZ)		CENTER LINE DISTANCE (mm)	FAN SHAFT DIA. (mm)	
	(kW)			MOTOR PULLEY	FAN PULLEY	SIZE (mm)	NO			
150	STD	2.2	879	80	132	1040	2	335.8 ± 40	35.0	+0
	ALT	3	-	-	-	-	-	335.8 ± 40		-0.062
200	STD	3	906	100	160	1112	2	335.8 ± 40	35.0	+0
	ALT	3.7	-	-	-	-	-	335.8 ± 40		-0.062

**Note:**

Above data are based on IEC standard motor size.

### Equation 1: Pulley Diameter

$$PD_f = \frac{D_m \times RPM_m}{RPM_f}$$

$$PD_m = \frac{PD_f \times RPM_f}{RPM_m}$$

**PD<sub>f</sub>** Fan pulley pitch diameter (mm)

**PD<sub>m</sub>** Motor pulley pitch diameter (mm)

**RPM<sub>f</sub>** Fan speed

**RPM<sub>m</sub>** Motor speed

**L<sub>b</sub>** V belt length (mm)

**L<sub>w</sub>** Center line distance (mm)

**S<sub>b</sub>** V belt size

### Equation 2: V Belt Length (mm)

$$L_b = 2 \times L_w + \frac{\pi(PD_m + PD_f)}{2} + \frac{(PD_m - PD_f)^2}{4 \times L_w}$$

### Equation 2: V Belt Length (mm)

$$S_b = \frac{L_b}{25.4}$$

## Part 1 – GENERAL

### 1.1 System Description

Horizontal, furred-in, above ceiling for ducting room fan coil unit (40LM120). Horizontal or vertical (floor standing) ducted fan coil unit (40LM150/200).

### 1.2 Quality Assurance

Unit shall be tested in accordance with ARI Standard 440. Each coil shall be factory tested for leakage at 400 psig air pressure with coil submerged in water. Factory is ISO-9001 certified.

### 1.3 Delivery Storage and Handling

Each unit shall be individually packaged from point of manufacture. Units shall be handled and stored in accordance with the manufacturer's instructions.

## Part 2 – PRODUCTS

### Equipment

#### 2.1 General

Factor assembled draw through fan coil unit with horizontal, furred in above ceiling for ducted installations (40LM120) and horizontal or vertical (floor standing) for ducted installation (40LM150/200).

#### 2.2 40LM120

Base unit with factory installed plenum section and cleanable filter as shown on equipment drawings. The plenum shall be rear air return. Shall enclose the fan/motor assemblies and shall be lined with 12.7mm thick PU insulation 18kg/m<sup>3</sup> density and 6.0mm PE insulation 33kg/m<sup>3</sup> density on the drain pan. Unit shall have a removable panel to provide access to fan/motor assemblies and unit identification label.

#### 2.3 40LM150/200

Unit can be installed in vertical installation or hanging in horizontal installation. The inner insulation of 12.7mm PU insulation 18kg/m<sup>3</sup> and 6.0mm PE insulation 33kg/m<sup>3</sup> on the drain pan and include a removable panel to provide access to the fan/ motor assembly.

#### 2.4 Fan

Direct driven (40LM120) or belt driven (40LM150/200) double width fan wheel with forward curved blades shall be statically and dynamically balanced. Fan wheels shall be constructed of high density reinforced polypropylene. (40LM120) or fan wheels shall be constructed of steel (40LM150/200).

#### 2.5 Coils

Drain pan covers entire length and width of coil till the headers. Drain pan inside coated and outside insulated. Standard base unit shall be equipped with a 4-row coil for installation in a 2-pipe system. Coils shall have 9.5mm copper tubes, aluminum fins bonded to the tubes by mechanical expansion. Each coil shall have a manual air vent and threaded connections field piping. Working pressure 1.72 Mpa, 0.105mm fin thickness and 0.24mm tube wall thickness.

#### 2.6 Operating Characteristics

A one coil unit installed in a 2-pipe system shall be capable of providing cooling as determined by the operating mode of the central water supply system.

#### 2.7 Electrical Requirements

Standard unit shall operate on 230V±10%, single phase, 50Hz for 40LM120 and 400V±/-10%V/3pH/50Hz electrical supply for 40LM150/200.

#### 2.8 Motor(s)

- 40LM120 fan motors shall be 3-speed, 230V, single phase, 50Hz permanent split capacitor type, with ball type bearings and over-sized oil reservoirs to ensure lubrication. The fan motor(s) shall be equipped with integral automatic temperature reset for motor protection. Motor insulation is Class B with IP20 ingress protection.
- 40LM150/200 shall be with totally enclosed fan cooled (TEFC) high efficiency motors with belt driven. Motor insulation is Class F with IP55 Ingress Protection.

#### 2.9 Filter

Permanent washable synthetic media filters with 1" thick for 40LM120 and 2" thick for 40LM150/200 with G2 filter class as per European Union EN779.



**Carrier International Sdn. Bhd. (3385-T)**  
Lot 4, Jalan P/6, 43650 Bandar Baru Bangi,  
Selangor Darul Ehsan, Malaysia.  
Tel: 03-8913 7600

---

**40LM2**

**REV-5**

---

01

2015

---

40LM2-A15-7PD SUPERCEDES 40LM-E13-6PD

*The Manufacturer reserves the right to change any product specifications without prior notices  
© All Rights Reserved Carrier*

**40LM2-A15-7PD**