



End Suction Centrifugal Pumps



SHINDO HAS CONSTANTLY DEVELOP THE CREDIBILITY TO SERVE THE INDUSTRY EFFICIENTLY.

SHINDO IS COMMITTED TO PROVIDE HIGH VALUE-ADDED PRODUCTS IN MINIMUM LEAD-TIME AND AT COST EFFECTIVE PRICING, TO HELP CUSTOMERS ACHIEVE ZERO DOWNTIME, PRODUCTION TARGET AND HELP ENHANCE A SAFER ENVIRONMENT.



END SUCTION CENTRIFUGAL PUMPS

PAGE CONTENTS

01	APPLICATION MODEL CODE
02	CONSTRUCTION DESIGN
03	GENERAL ARRANGEMENT DRAWING
04	SELECTION CHART
05	DIMENSIONAL DRAWING
06	DIMENSIONAL DRAWING (CONT.)

Application

Shindo End Suction Centrifugal Pumps, S Series can be used in commercial, residential, agriculture, industrial processing, petroleum, and food & beverage industries. Specifically, S series pumps are design for following applications:

- ✕ HVAC System
- ✕ Cooling Towers System
- ✕ Fire Fighting System
- ✕ Circulation System
- ✕ Water Pressure Boosting System
- ✕ Domestic Water Supply
- ✕ Water & Sea Water Treatment
- ✕ Refrigeration
- ✕ Chemical
- ✕ Irrigation

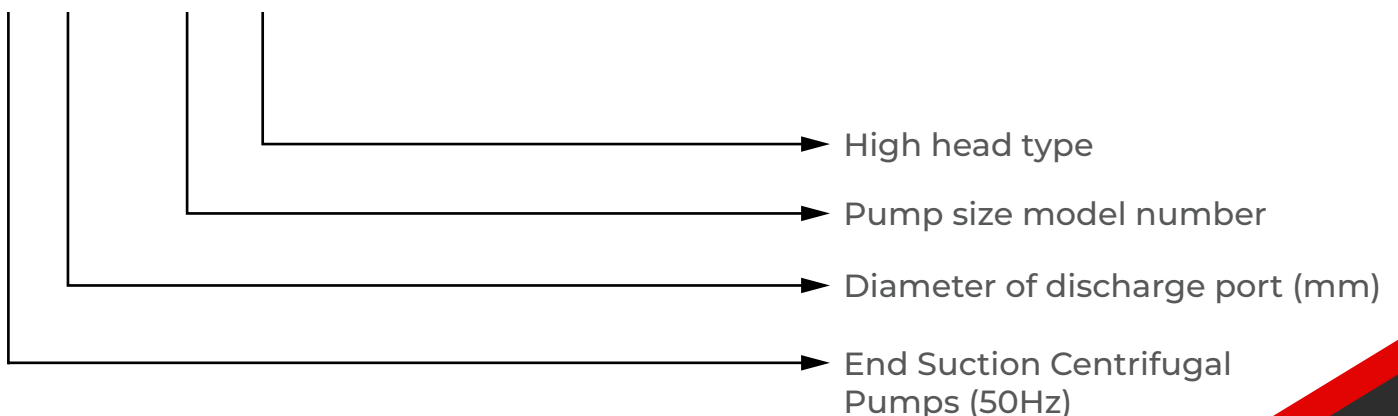
Performance range for S series:

- ✕ Max. Capacity (Q) = 1100m³/hr
- ✕ Max. Head (H) = 150m
- ✕ Max. Operating Pressure = 10 bar
- ✕ Liquid Temperature = -10°C to +105°C



Model Code

S 50 - 32 H



Construction Design

Shindo S series are in compliance with european pump standard DIN24255/EN733 which covers all sizes of the pumps. S series pumps are also design with axial suction and vertical discharge in which the connections are flange type for both suction and discharge. The pump has back pull-out design, and when a suitable spacer coupling is fitted to a direct coupled unit, the casing and motor can remain in position while other pump parts can be removed for simple and quick maintenance.

Hydraulic Parts

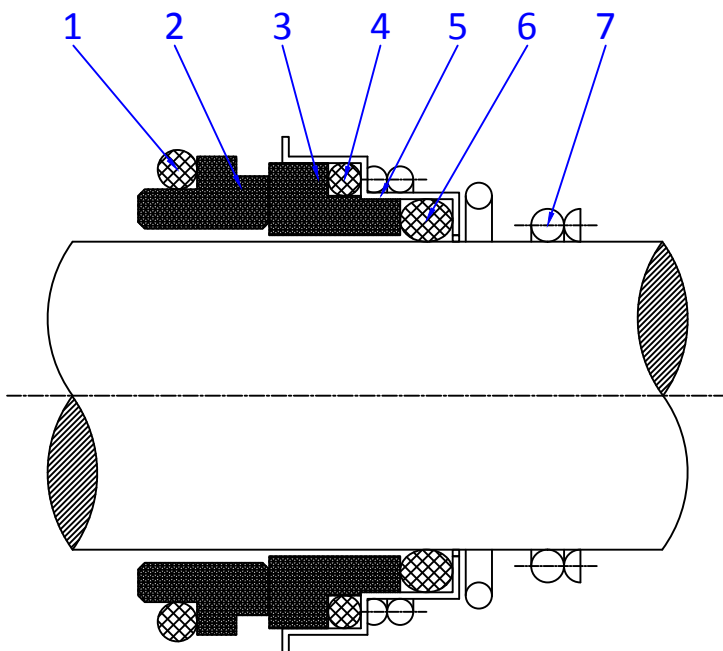
- α Casing is made up of cast iron.
- α Impeller is made up of stainless steel (SS304).
- α Shaft is made up of stainless steel (SS420).
- α The standard material of mechanical seal is Carbon/Ceramic/Viton.

*Note: 1. Impeller made up of bronze is also available on request.
 2. Fully stainless steel (SS304 or SS316) for wetted parts are also available on request.*

Electric Motor

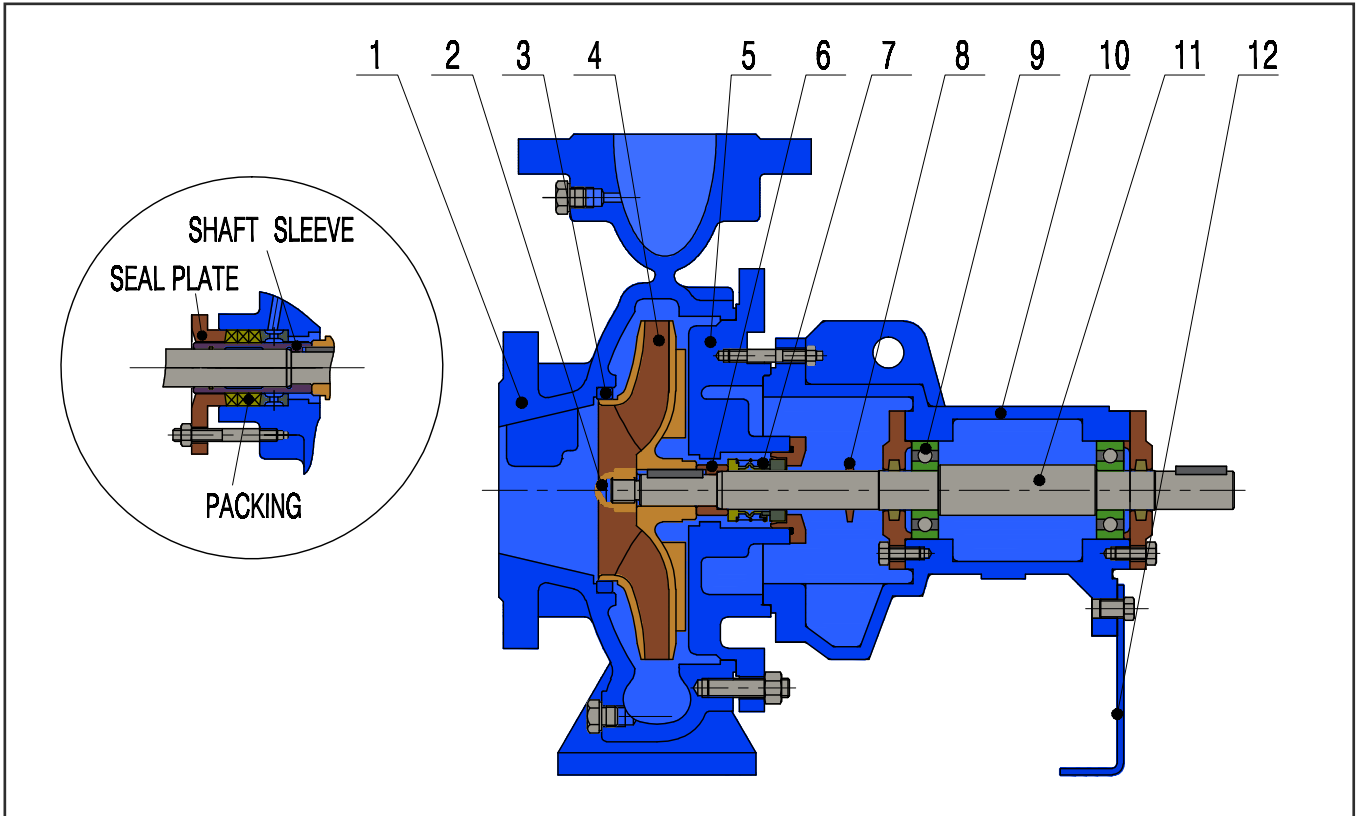
- α IEC standard.
- α Insulation Class: F
- α Enclosure Class: IP55
- α Speed: 1450RPM/2900RPM
- α Standard Voltage: 3 x 380-415V, 50Hz

Material of Mechanical Seal



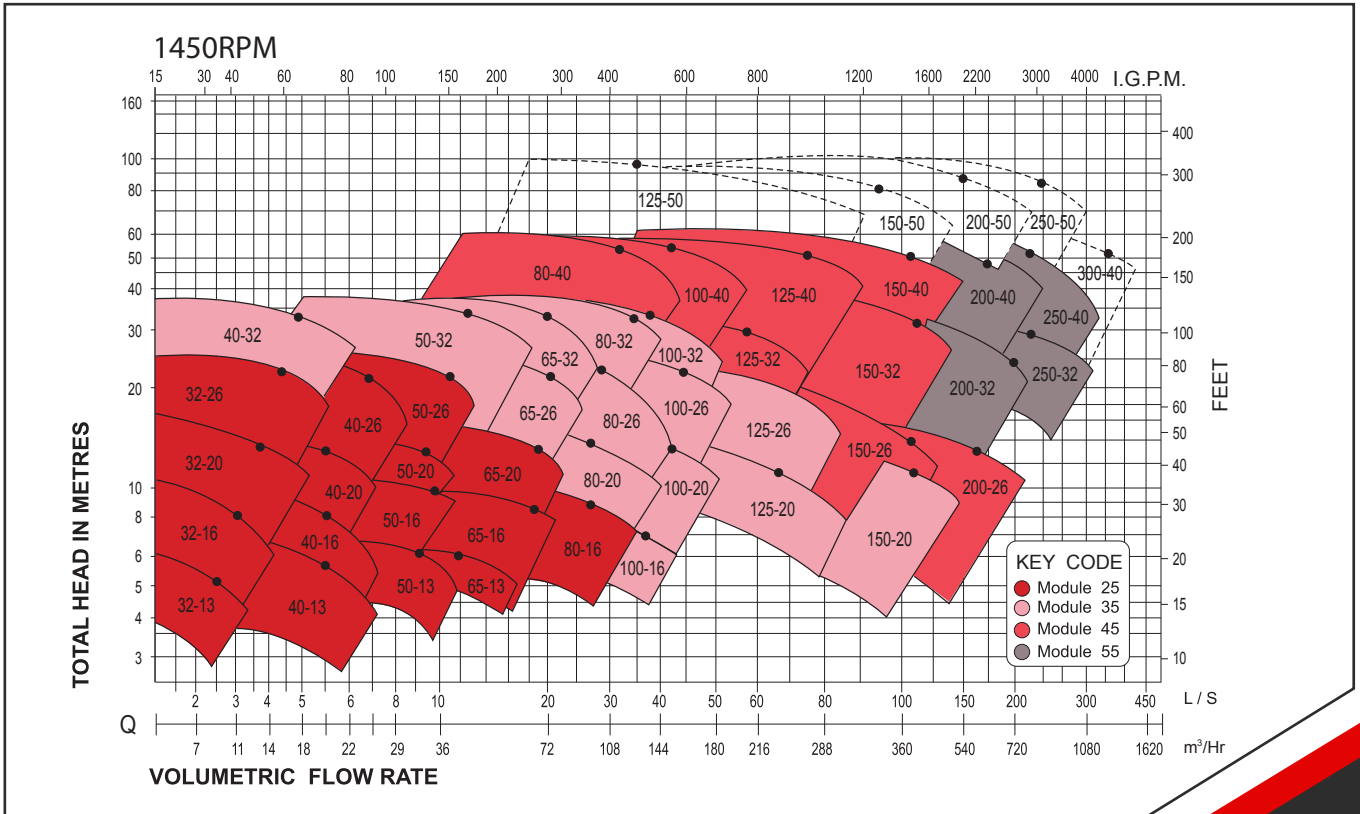
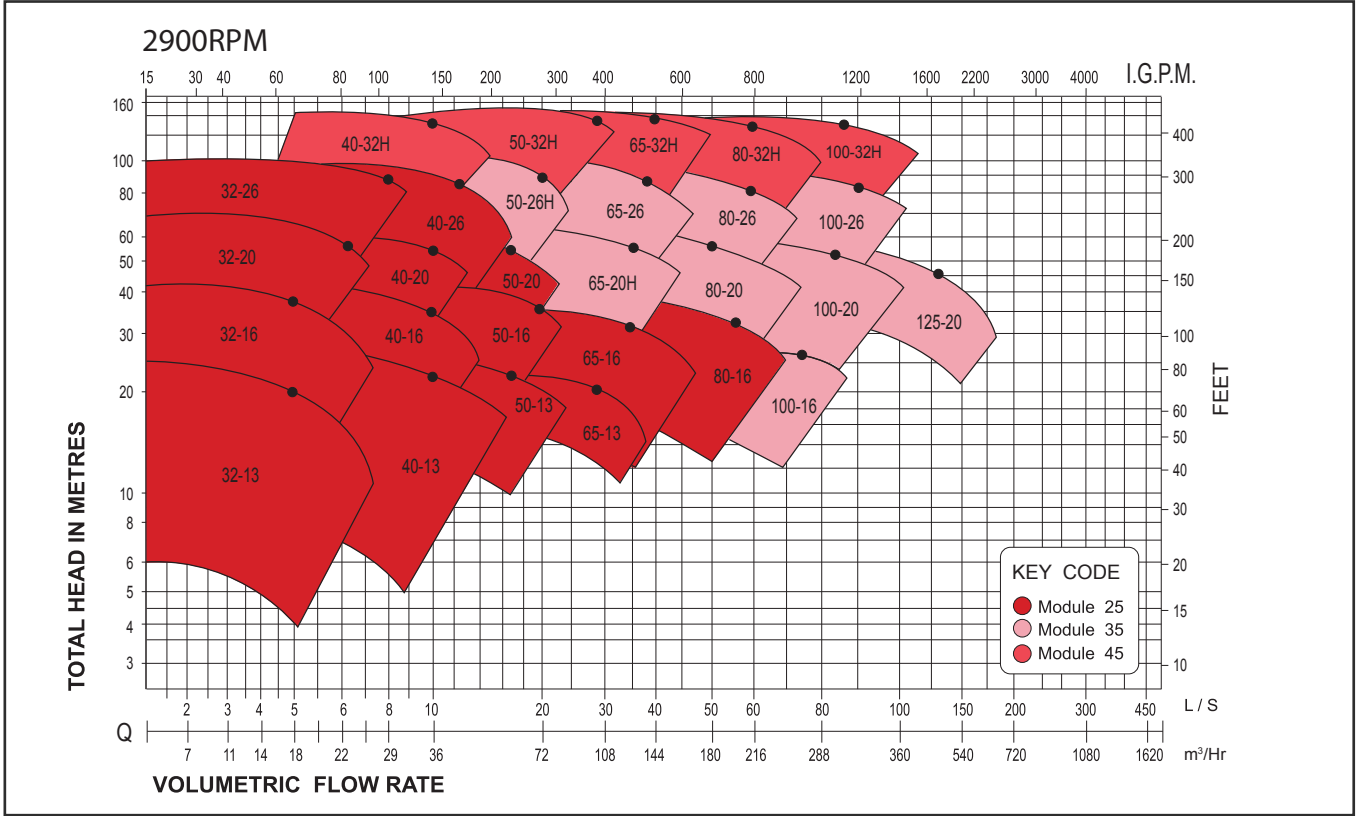
No.	Name	Qty	Material
1	O-Ring	1	Viton
2	Stationary Seats	1	Carbon
3	Seal Faces	1	Ceramic
4	O-Ring	1	Viton
5	Seal Faces Base	1	Stainless Steel
6	O-Ring	1	Viton
7	Spring	1	Stainless Steel

General Arrangement Drawing

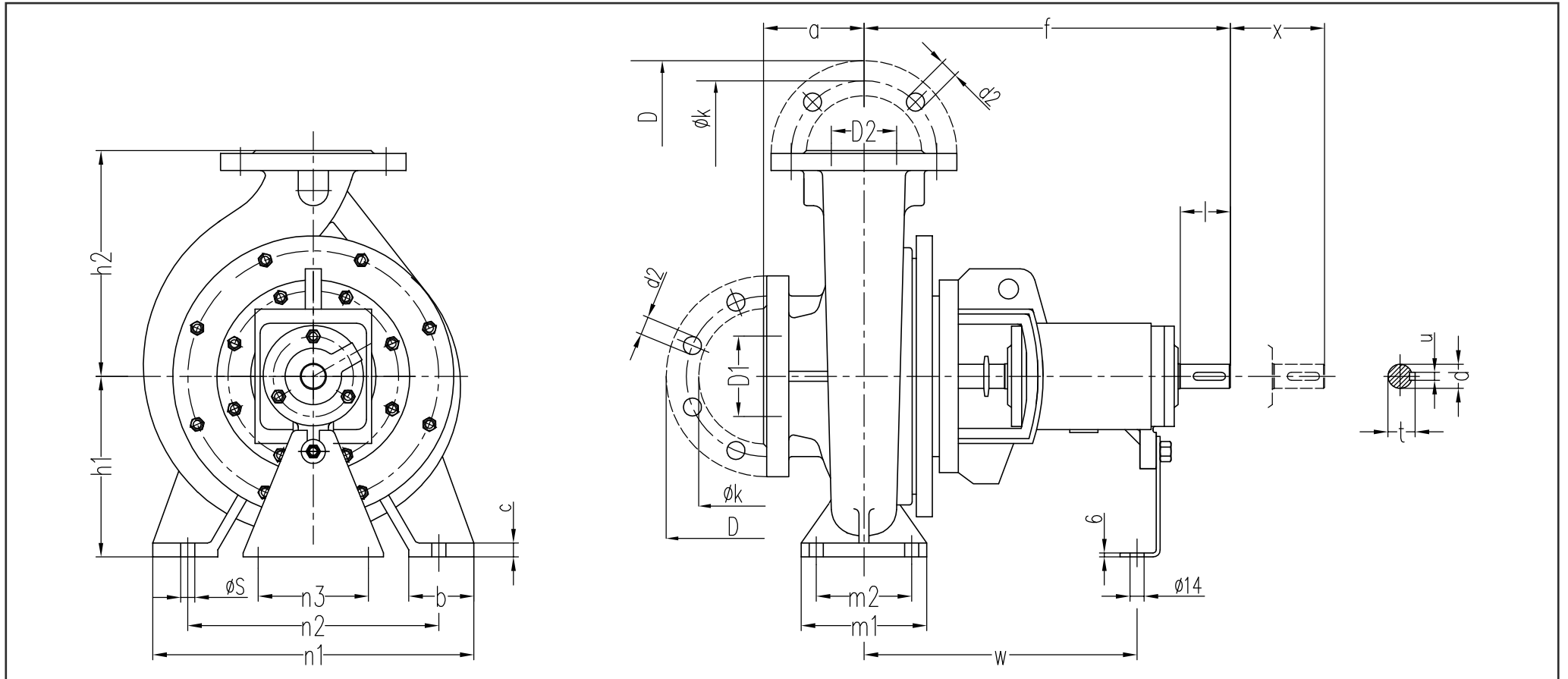


Part No.	Name
1	Volute Casing
2	Impeller Nut
3	Wear Ring
4	Impeller
5	Casing Cover
6	Shaft Sleeve
7	Packing/Mechanical Seal
8	Slinger
9	Bearing
10	Bearing Housing
11	Shaft
12	Support Foot

Selection Chart



Dimensional Drawing



Pump Model	Bearing Housing	Dimensions																			
		D2	D1	a	f	h1	h2	b	c	m1	m2	n1	n2	n3	s	w	d	l	t	u	x
S32-13	25	32	50	80	460	112	140	50	14	100	70	190	140	100	14	267	24	50	27	8	4
S32-16	25A	32	50	80	460	132	160	50	14	100	70	240	190	100	14	267	24	50	27	8	4
S32-20	25	32	50	80	460	160	180	50	14	100	70	240	190	100	14	267	24	50	27	8	4
S32-26	25A	32	50	100	460	180	225	65	14	125	95	320	250	110	14	267	24	50	27	8	4
S40-13	25	40	65	80	460	112	140	50	14	100	70	210	160	100	14	267	24	50	27	8	4
S40-16	25A	40	65	80	460	132	160	50	14	100	70	240	190	100	14	267	24	50	27	8	4
S40-20	25	40	65	100	460	160	180	50	14	100	70	265	212	110	14	267	24	50	27	8	4
S40-26	25A	40	65	100	460	180	225	65	14	125	95	320	250	110	14	267	24	50	27	8	4
S40-32	35	40	65	125	470	200	250	65	14	125	95	345	280	110	14	342	32	80	35	10	4
S40-32H	45	40	65	125	526	200	250	65	14	125	95	345	280	110	14	367	42	110	45	12	4
S50-13	25	50	65	100	360	132	160	50	14	100	70	240	190	100	14	267	24	50	27	8	4
S50-16	25A	50	65	100	360	160	180	50	14	100	70	265	212	110	14	267	24	50	27	8	4
S50-20	25	50	65	100	360	160	200	50	14	100	70	265	212	110	14	267	24	50	27	8	4
S50-26	25A	50	65	100	465	180	225	65	14	125	95	320	250	110	14	267	24	50	27	8	4
S50-26H	35	50	65	100	470	180	225	65	14	125	95	320	250	110	14	344	32	80	35	10	4
S50-32	35	50	65	125	470	225	280	65	18	125	95	345	280	110	14	342	32	80	35	10	4
S50-32H	45	50	65	125	526	225	280	65	18	125	95	345	280	110	14	367	42	110	45	12	4
S65-13	25	65	80	100	360	160	180	65	14	125	95	280	212	110	14	267	24	50	27	8	4
S65-16	25A	65	80	100	360	160	200	65	14	125	95	280	212	110	14	267	24	50	27	8	4
S65-20	25	65	80	105	360	180	225	65	14	125	95	320	250	110	14	267	24	50	27	8	4
S65-20H	35	65	80	105	465	180	225	65	14	125	95	320	250	110	14	339	32	80	35	10	4
S65-26	35	65	80	100	470	200	250	80	15	160	120	360	280	110	18	342	32	80	35	10	4
S65-32	35	65	80	125	470	225	280	80	18	160	120	400	315	110	18	342	32	80	35	10	4
S65-32H	45	65	80	125	526	225	280	80	18	160	120	400	315	110	18	367	42	110	45	12	4
S80-16	25A	80	100	125	360	180	225	65	14	125	95	320	250	110	14	267	24	50	27	8	4
S80-20	35	80	100	125	470	180	250	65	15	125	95	345	280	110	14	342	32	80	35	10	4
S80-26	35	80	100	125	470	200	280	80	15	160	120	400	315	110	18	342	32	80	35	10	4
S80-32	35	80	100	125	470	250	315	80	16	160	120	400	315	110	18	342	32	80	35	10	4
S80-32H	45	80	100	125	526	250	315	80	16	160	120	400	315	110	18	367	42	110	45	12	4
S80-40	45	80	100	125	530	280	355	83	18	160	120	440	340	110	18	370	42	110	45	12	4
S100-16	35	100	125	125	470	200	250	80	15	160	120	360	280	110	18	342	32	80	35	10	4
S100-20	35	100	125	125	470	200	280	80	16	160	120	360	280	110	18	342	32	80	35	10	4
S100-26	35	100	125	140	470	225	280	80	16	160	120	400	315	110	18	342	32	80	35	10	4
S100-32	35	100	125	140	470	250	315	80	16	160	120	400	315	110	18	342	32	80	35	10	4
S100-32H	45	100	125	140	526	250	315	80	16	160	120	400	315	110	18	367	42	110	45	12	4
S100-40	45	100	125	140	530	280	355	100	20	200	150	500	400	110	23	370	42	110	45	12	4
S125-20	35	125	150	145	470	250	315	80	16	160	120	400	315	110	18	342	32	80	35	10	4
S125-26	35	125	150	140	470	250	355	80	16	160	120	400	315	110	18	342	32	80	35	10	4
S125-26H	45	125	150	140	524	250	355	80	16	160	120	400	315	110	18	365	42	110	45	12	-
S125-32	45	125	150	140	530	280	355	100	18	200	150	500	400	110	23	370	42	110	45	12	4
S125-40	45	125	150	160	530	315	400	100	18	200	150	500	400	110	23	370	42	110	45	12	4
S150-20	35	150	200	160	497	280	400	100	18	200	150	400	315	110	23	367	32	80	35	10	4
S150-26	45	150	200	160	530	250	355	100	18	200	150	450	350	110	23	370	42	110	45	12	4
S150-32	45	150	200	160	530	280	400	100	18	200	150	550	450	110	23	370	42	110	45	12	4
S150-40	45	150	200	160	530	315	450	100	18	200	150	550	450	110	23	370	42	110	45	12	4
S200-26	45	200	250	180	555	315	450	100	20	200	150	550	450	110	28	392	42	110	45	12	4
S200-32	55	200	250	180	670	315	480	120	20	220	170	600	480	110	28	505	48	110	51	14	4
S200-40	55	200	250	180	670	335	480	120	20	220	170	600	480	110	28	505	48	110	51	14	4
S250-32	55	250	300	220	691	355	520	150	26	250	200	660	510	110	28	525	48	110	51	14	4
S250-40	55	250	300	220	682	400	560	150	26	250	200	660	510	110	28	516	48	110	51	14	4

Flange dimensions and drilling according to ISO2084 16BAR (BS4504-1969 TABLE 16/11)											
Holes-Equally space straddling pump centreline											
PN16											
D1/D2	32	40	50	65	80	100	125	150	200	250	300
ØD	140	150	165	185	200	220	250	285	340	405	460
ØK	100	110	125	145	160	180	210	240	295	350	410
d ₂ x number	Ø18 x 4	Ø18 x 4	Ø18 x 4	Ø18 x 4	Ø18 x 8	Ø18 x 8	Ø18 x 8	Ø22 x 8	Ø22 x 12	Ø26 x 12	Ø26 x 12

