

New Delac Parts

Product Name		Product Code	
End Cap	Natural	00210010	
	Umber	00210086	
End Stop B	Natural	00210135	
	Umber	00210137	
	White	00210332	
Intermediate Stop		00210134	
Return Aids for End Stop		00530063	
Pulley Set	Natural	00210002	
	Umber	00210081	
	White	00210333	
Master Roller		00210262	
Long Master Roller		00210264	
One-way Master Roller		00210001	
Overlap Cording Parts Kit		00210225	
Traverse Cord 2.8 mm DIA. White		00580009	
Tension Pulley 240	White	00500005	
	Brown	00500002	
Tension Pulley 450	Silver	00500007	

*1 Contents of Kit: Overlap Pulley Set (1 set), Pilot Roller (2 pcs), Overlap Bracket (1 pc), Intermediate Stop (4 pcs), Cord Clip (10 pcs)

Product Name		Product Code	
Splice for Alumi Rail		00210128	
OT Splice	Natural	00210024	
	White	00210323	
Adjustable Hanger Rod A	A170 (130-170 mm /5.1"-6.7")	Silver	00290034
		White	00290038
	A250 (170-250 mm /6.7"-9.8")	Silver	00290036
		White	00290039
	A400 (245-400 mm /9.6"-16")	Silver	00290017
		White	00290040
	A700 (395-700 mm /16"-28")	Silver	00290016
	White	00290041	
A1100 (595-1,100 mm /23"-43")	Silver	00290015	
	White	00290042	
A1600 (845-1,600 mm /33"-63")	Silver	00290014	
	White	00290043	

Product Name		Product Code	
Adjustable Hanger Rod B	B400 (250-400 mm/ 9.8"-16")	Umber	00290013
		White	00290026
B700 (400-700 mm/ 16"-28")	Umber	00290012	
	White	00290025	
Hanger Slide A (Pre-installed Slider Type)			00210009
Allowable load 10 kg (22 lb)			
Hanger Slide A02 (Last-in Easy-snap Type)			00480003
Allowable load 10 kg (22 lb)			
Hanger Slide A03 (Pre-installed Roller Type)			00480004
Allowable load 10 kg (22 lb)			
Hanger Slide B (Last-in Slider Type)			00480002
Allowable load 10 kg (22 lb)			
IV Roller			00210052
Allowable load 10 kg (22 lb)			

New Delac

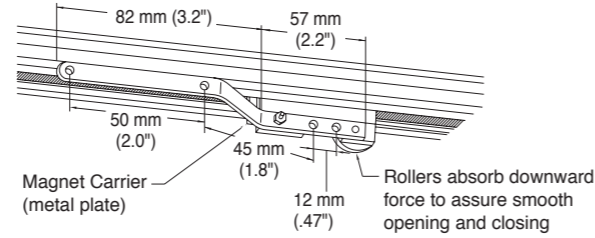


- Multi-purpose rail with a wide range of applications.
- Manual, cord draw and motor operation are possible.
- Exceptional durability satisfying the strict demands of a 10,000 open/close test.
- Can also be used as a hospital partition rail, IV rail and picture rail.

New Delac's Unique Features and Applications

Using the Overlap Magnet Carrier for Hand provides better light shielding.

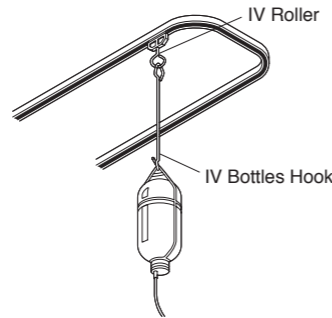
The Overlap Magnet Carrier effectively prevents unwanted light from streaming into a room. Light is kept out even where the curtains overlap in the middle. And the rollers run very smoothly.



*Perfect light shielding may not be possible depending on the type of window and installation method. Please consult a specialist when designing window covering for a darkroom or photo lab.

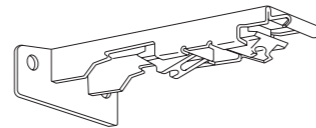
Use an IV Roller for an IV Rail.

New Delac's exceptional durability and safety make it ideal for use as an IV Rail in hospitals and other medical institutions. The IV Rollers are also designed to lock under the weight of an IV bottle. And the wheel parts are made of a special resin to effectively reduce sliding noise.



NT Bracket convenient when there is insufficient vertical space for installation.

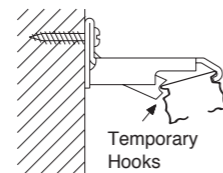
This bracket is convenient when there is insufficient vertical space for bracket installation. It is firmly secured with just two screws.



Brackets with a temporary hook makes installation easier.

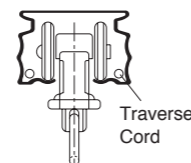
(Excluding Extra Brackets)

This bracket holds a rail while allowing you to adjust a rail position. Once you finish adjusting a position, simply snap the rail into the bracket to secure firmly.



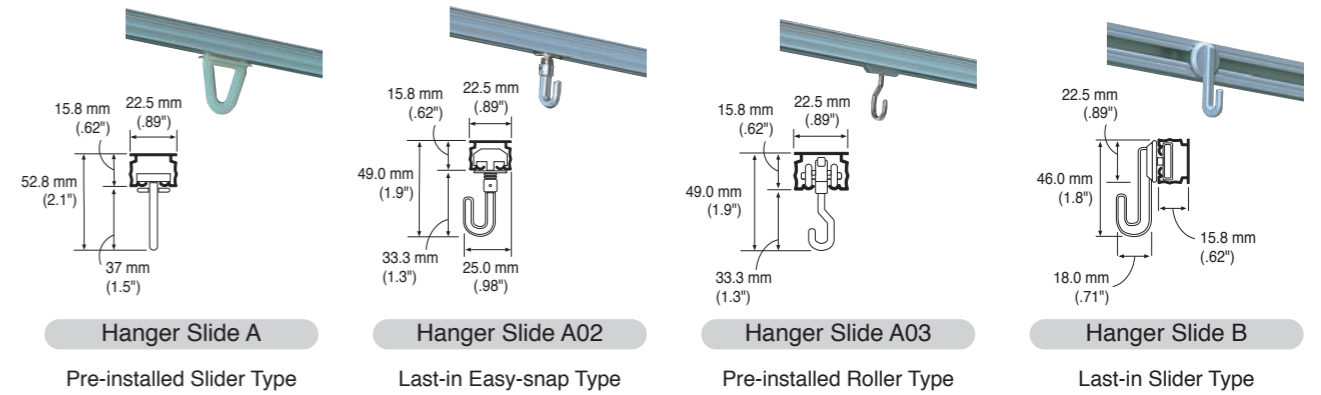
Smooth opening and closing with separate grooves for rollers and traverse cord.

Installation is easy and the cord is located in a groove to prevent it from becoming entangled with the rollers. The smooth-running rollers also assure easy opening and closing.



Can be used as a picture rail when combined with Hanger Slides.

When used with Hanger Slides, the rail is ideal for wall displays in galleries, exhibitions and in the home, and for hanging plaques. Hanger Slides can be fixed in a desired position and also feature a free stop mechanism enabling easy re-positioning.



Can also be used with a Curtain Motor. (Powerful Series)

Exceptionally convenient for opening and closing wide curtains, curtains installed in a high location, and heavy curtains.

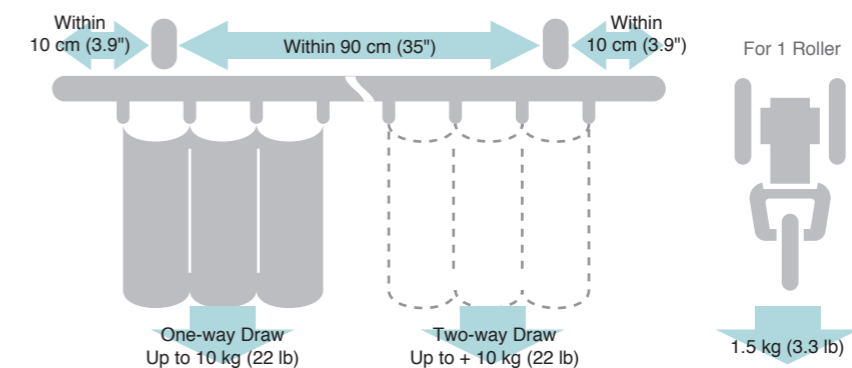


Materials and Finishes

Parts	Material	Finish
Rail	Umber	Alumite umber
	White	Alumite white
	Natural	Alumite

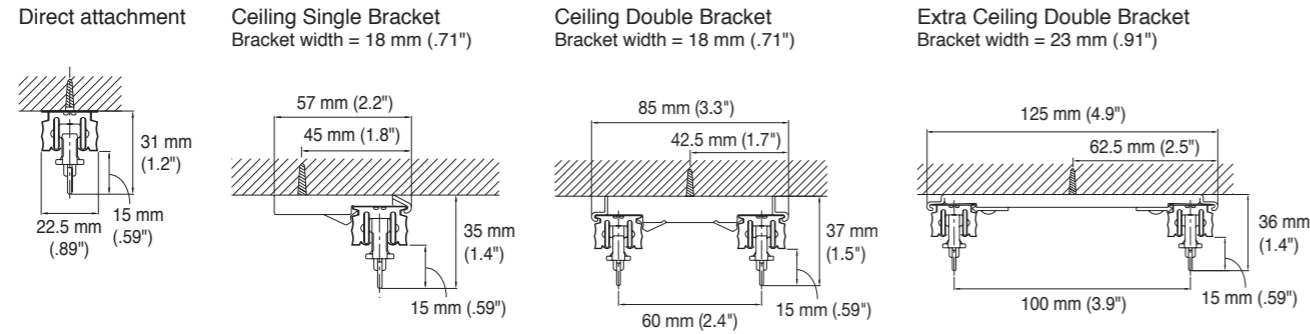
Parts	Material	Finish
Roller	Plate	Hard polyethylene
	Wheel	Hard polyethylene
	Oval ring	Stainless steel
End Cap	Body	Nylon
	Oval ring	Stainless steel
Bracket	Body	Steel
	Hook	Acetal resin

Bracket Installation Interval and Allowable Curtain Load

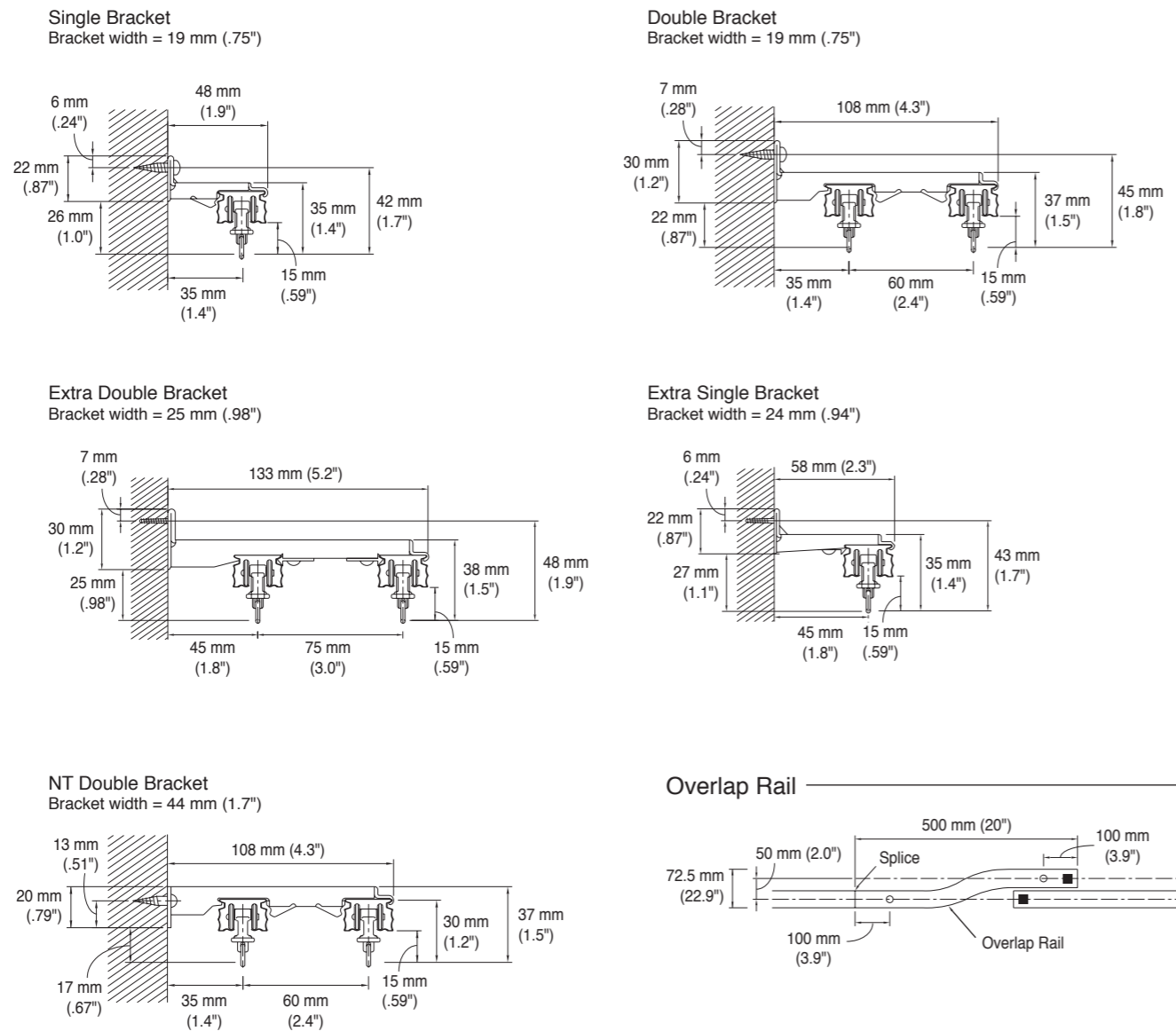


Installation Dimensions

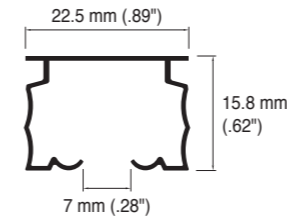
Ceiling Attachment



Wall Attachment



New Delac Rails



New Delac Rails

Size	Product Code		
	Umber	White	Natural
1.82 m (72")	00210036	00210346	00210120
2.00 m (79")	00210038	00210347	00210121
2.73 m (107")	00210039	00210348	00210122
3.00 m (118")	00210040	00210349	00210123
3.64 m (143")	00210047	00210350	00210124
4.00 m (157")	00210048	00210351	00210125
Curved Rail (180 mmR/ 7.1"R)	0.40 m x 0.40 m (16" x 16")	---	00210126
	1.00 m x 1.00 m (39" x 39")	---	00210035
Overlap Rail 0.50 m (20")	00210043	---	00210208

New Delac Parts

Product Name	Product Code	Product Name	Product Code	Product Name	Product Code	
Roller (8 pieces per strip)	Natural	00210027	Soundproof Packing Silence effect improves together it with Noiseless Roller.	00210023	Extra Double Bracket	
	Umber	00210185				Natural
Magnet Carrier	Natural	00210054	Overlap Magnet Carrier for Hand (*1)	00210006		Umber
	Umber	00210186			White	00210329
One-way Magnet Carrier	Natural	00210053	Single Bracket	00210213	Ceiling Single Bracket	
	Umber	00210187				Natural
NN Roller (for last-in)	00210008	00210188	Extra Single Bracket	00210012	Umber	00210192
					Natural	00210188
Noiseless Roller (8 pieces per strip)	00210051	00210189	Double Bracket	00210216	Ceiling Double Bracket	
						Umber
Noiseless Magnet Carrier	00210050	00210190	NT Double Bracket	00210222	Umber	00210220
					Natural	00210190
Noiseless One-way Magnet Carrier	00210049	00210049	Roller	00210008	Extra Ceiling Double Bracket	
						Umber
NT Double Bracket	00210223	00210352	Bracket	00210328	Umber	00210196
					Natural	00210223
Wall Bracket	00210015	00210201	Overhead Hanger	00210105	00210330	
						Umber
Wall Bracket	00210015	00210331	Wall Bracket	00210015	00210331	
						White
					White	00210330

*1 For a curved rail, use with a rail with a radius of 240 mm (9.4") or more. A rail with a 180 mm (7.1") radius can not be used.