

# DH-HAC-HDW2401M

4MP HDCVI WDR IR Eyeball Camera



- 120dB True WDR, 3DNR
- Max 4MP real-time
- HD and SD dual-output
- 3.6mm fixed lens
- Max. IR length 30m, Smart IR
- IP67, DC12V



## System Overview

Experience superior clarity of real-time 4Mega-pixel video with the simplicity of using existing coaxial infrastructure. The 4MP HDCVI camera presents high quality image with clear details and accurate color rendition, and supports 120dB true WDR for applications under complex dynamic range. It offers various motorized/fixed lens models with multi-language OSD and HD&SD dual-output. The higher resolution and complete features make the 4MP HDCVI camera an ideal choice for mid to large-size business and common projects where both highly reliable surveillance and construction flexibility are concerned.

## Functions

### 4 Signals over 1 Coaxial Cable

HDCVI technology supports 4 signals to be transmitted over 1 coaxial cable simultaneously, i.e. video, audio\*, data and power. Dual-way data transmission allows the HDCVI camera to interact with the HCVR, such as sending control signal or triggering alarm. Moreover, HDCVI technology supports PoC for construction flexibility.

\* Audio input is available for some models of HDCVI cameras.

### Long Distance Transmission

HDCVI technology guarantees real-time transmission at long distance without any loss. It supports up to 700m transmission for 4MP HD video via coaxial cable, and up to 300m via UTP cable.\*

\*Actual results verified by real-scene testing in Dahua's test laboratory.

### Simplicity

HDCVI technology inherits the born feature of simplicity from traditional analog surveillance system, making itself a best choice for investment protection. HDCVI system can seamlessly upgrade the traditional analog system without replacing existing coaxial cabling. The plug and play approach enables full HD video surveillance without the hassle of configuring a network.

### Multi-outputs

The camera supports HDCVI and CVBS signal outputs simultaneously with two BNC connectors. Multi-outputs facilitates construction in such situations as debugging through a tester. It also offers the possibility for cooperating with multiple devices including analog matrix or monitor.

## Smart IR

The camera is designed with microcrystalline LED IR illumination for best lowlight performance. Smart IR is a technology to ensure brightness uniformity in B/W image under low illumination. Dahua's unique Smart IR adjusts to the intensity of camera's infrared LEDs to compensate for the distance of an object, and prevents IR LEDs from overexposing images as the object come closer to the camera.

## Wide Dynamic Range

Embedded with industry leading wide dynamic range (WDR) technology, vivid pictures are achieved even in the most intense contrast lighting conditions. True WDR (120dB) optimizes both the bright and dark areas of a scene at the same time to provide usable video.

## Advanced 3DNR

3DNR is noise reduction technology that detects and eliminates random noises by comparing two sequential frames. Dahua's advanced 3DNR technology allows remarkable noise reduction with little impact to sharpness, especially under limited lighting condition. Besides, the advanced 3DNR effectively decreases the band width and saves the storage space.

## Large Aperture Lens

The camera adopts high-end F1.5 large aperture lens. With higher amount of absorbed light, the camera presents an impressive lowlight performance.

## Protection

The camera's outstanding reliability is unsurpassed due to its rugged design. The camera is protected against water and dust with IP67 ranking, making it suitable for indoor or outdoor environments. Supporting  $\pm 25\%$  input voltage tolerance, this camera suits even the most unstable power supply conditions. Its 4KV lightning rating provides protection against the camera and its structure from the effects of lightning.

### Technical Specification

#### Camera

Image Sensor	1/3" CMOS
Effective Pixels	2688(H)×1520(V), 4.1MP
Scanning System	Progressive
Electronic Shutter Speed	1/3s~1/300,000s
Minimum Illumination	0.03Lux/F1.5, 0Lux IR on
S/N Ratio	More than 65dB
IR Distance	Up to 30m (98feet)
IR On/Off Control	Auto / Manual
IR LEDs	12

#### Lens

Lens Type	Fixed lens / Fixed iris
Mount Type	Board-in
Focal Length	3.6mm
Max Aperture	F1.5
Angle of View	H: 78°
Focus Control	N/A
Close Focus Distance	1500mm 59.06"

#### Pan / Tilt / Rotation

Pan/Tilt/Rotation	Pan: 0° ~ 360° Tilt: 0° ~ 90° Rotation: 0° ~ 360°
-------------------	---

#### Video

Resolution	4MP (2560×1440)
Frame Rate	25fps@4MP, 25/30fps@1080P, 25/30fps@720P
Video Output	1-channel BNC HDCVI high definition video output & 1-channel BNC CVBS video output
Day/Night	Auto (ICR) / Manual
OSD Menu	Multi-language
BLC Mode	BLC / HLC / WDR
WDR	120dB
Gain Control	AGC
Noise Reduction	2D/3D
White Balance	Auto / Manual
Smart IR	Auto / Manual

#### Certifications

Certifications	CE (EN55032, EN55024, EN50130-4) FCC (CFR 47 FCC Part 15 subpartB, ANSI C63.4-2014) UL (UL60950-1+CAN/CSA C22.2 No.60950-1)
----------------	---

#### Electrical

Power Supply	12V DC ±25%
Power Consumption	Max 4.8W (12V DC, IR on)

#### Environmental

Operating Conditions	-30°C ~ +60°C (-22°F ~ +140°F) / Less than 90% RH * Start up should be done at above -30°C (-22°F)
Storage Conditions	-30°C ~ +60°C (-22°F ~ +140°F) / Less than 90% RH
Ingress Protection & Vandal Resistance	IP67

#### Construction

Casing	Aluminium
Dimensions	Φ93.4mm×79.4mm (Φ3.68"×3.13")
Net Weight	0.28kg (0.62lb)
Gross Weight	0.35kg (0.77lb)

**Ordering Information**

Type	Part Number	Description
4MP Camera	DH-HAC-HDW2401MP 3.6mm	4MP HDCVI WDR IR Eyeball Camera, PAL
	DH-HAC-HDW2401MN 3.6mm	4MP HDCVI WDR IR Eyeball Camera, NTSC
Accessories	PFA13A	Junction box (For use alone)
	PFB204W	Wall mount (For use alone or with PFA152 pole mount)
	PFA152	Pole mount (For use with PFB204W wall mount)

**Accessories**

Optional:



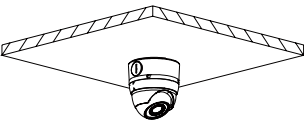
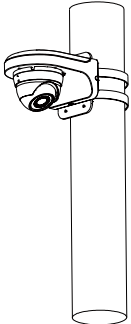
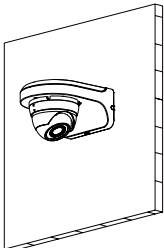
PFA13A  
Junction box



PFB204W  
Wall mount



PFA152  
Pole mount

Junction Mount	Pole Mount
PFA13A	PFB204W + PFA152
	
Wall Mount	
PFB204W	
	

**Dimensions (mm/inch)**

