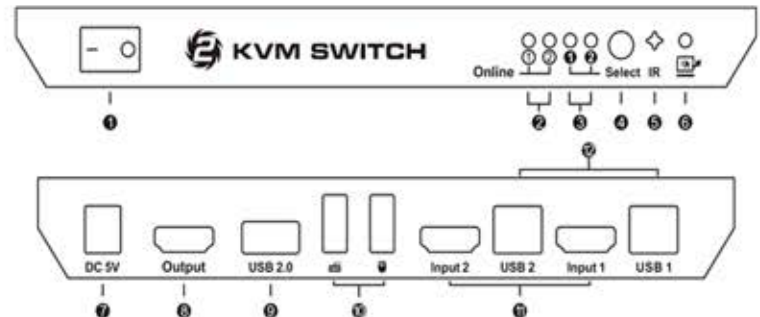
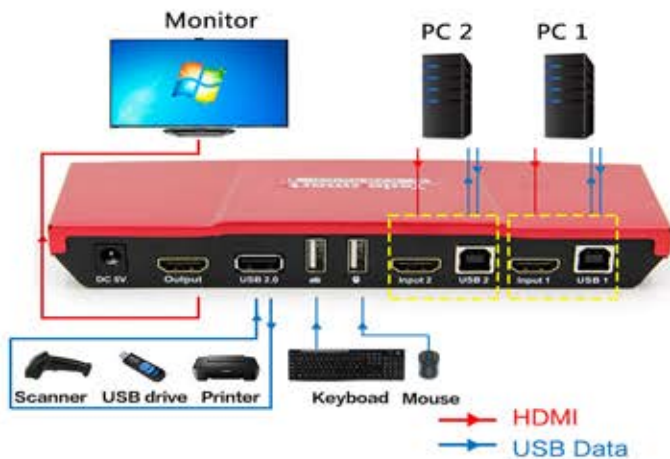


# 2 PORTS HDMI KVM

THE 2X1 HDMI KVM SWITCH SUPPORTS USB 2.0 HUB AND USB 2.0 KEYBOARD /MOUSE. BY USING USB 2.0 HUB PORTS ON THE KVM, YOU EVEN CAN ATTACH USB DRIVE, PRINTER, BARCODE SCANNER OR OTHER USB DEVICES TO THE KVM. SWITCHING CAN BE CONTROLLED THROUGH VARIABLE METHODS, SUCH AS THE FRONT PANEL SOURCE SELECTOR BUTTONS, IR SIGNALS AND HOT KEYS ON KEYBOARD.



## FEATURES :

- USING ONLY 1 SET OF KEYBOARD, MOUSE AND MONITOR TO CONTROL 2 HOST DEVICES
- SUPPORT UNIX/WINDOWS/DEBIAN/UBUNTU/FEDORA /MAC OS X/RASPBAN/UBUNTU FOR RASPBERRY PI AND OTHER LINUX BASED SYSTEM
- SUPPORT HOT PLUG, CONNECT OR DISCONNECT DEVICES TO THE KVM SWITCH AT ANY TIME WITHOUT TURNING OFF DEVICES
- SUPPORT AUTO SWITCHING TO MONITOR COMPUTERS IN A SPECIFIED TIME INTERVAL
- SUPPORT HOT KEY COMMANDS AND MOUSE GESTURE TO SWITCH INPUTS
- SUPPORT FRONT PANEL BUTTONS, IR SIGNALS, KEYBOARD HOT KEYS TO CONTROL KVM SWITCH
- AVAILABLE TO USE KEYBOARD WITHOUT ANY DELAY AFTER SWITCH HOST DEVICES
- SUPPORT RESOLUTION UP TO 3840\*2160@30HZ
- WITH EXTRA STANDARD USB 2.0 HUB PORT, IT IS POSSIBLE TO CONNECT BAR CODE SCANNER, USB HARD DRIVE OR OTHER USB DEVICES TO KVM JUST AS YOU HAVE PLUG THESE DEVICES DIRECTLY TO COMPUTER
- SUPPORT DVI-D SINGLE LINK SOURCES AND DISPLAYS WITH THE USE OF HDMI-TO-DVI ADAPTERS
- WITH EDID EMULATORS IN EACH INPUT PORT, KEEP PCS ALWAYS HAVING CORRECT DISPLAY INFORMATION