



Plus



blue light

BL-0609-X3

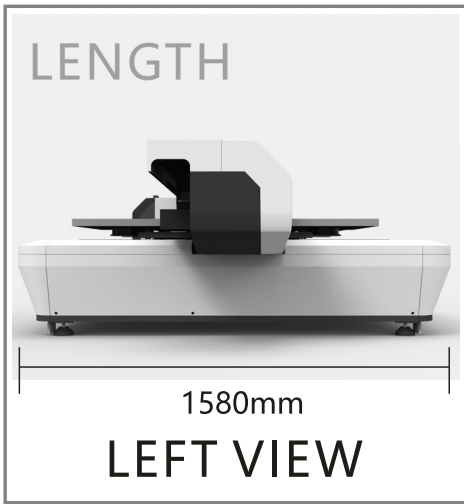
Mini Flatbed UV Printer



XAAR[®]

**UV
LED**





Specification

Printhead	XAAR 1201 (3 units)
Resolution	Max 2400dpi
Color	CMYK+White+Vanish
Ink	UV Curable
Printing Area	600mm x 900mm (CMYK+W) 600mm x 870mm (CMYK+W+V)
Material Thickness	0-140mm (5 1/2")
RIP Software	FlexiPRINT
Interface	Ethernet
Curing System	LED UV System
Operation System	Windows 10
Voltage	AC 220~240, 50/60HZ
Temperature	20C ~ 35C
Humidity	35% ~ 65%
Dimension	1580mm(L) x1480mm(W) x 620mm(H)
Weight	170KG



XAAR 1201 (2.5pl)

Tel. +603 9174 5969 ~ www.kplus.com.my

K Plus Machine Tech Sdn Bhd 201601023763 (1194702-P)
 No. 14, Jalan 6/118 B, Desa Tun Razak, 56000 Kuala Lumpur, Malaysia.
 Fax. +603 9171 0383 ~ sales@kplus.com.my