



Plus



*blue light*

**BL-0609-X3**

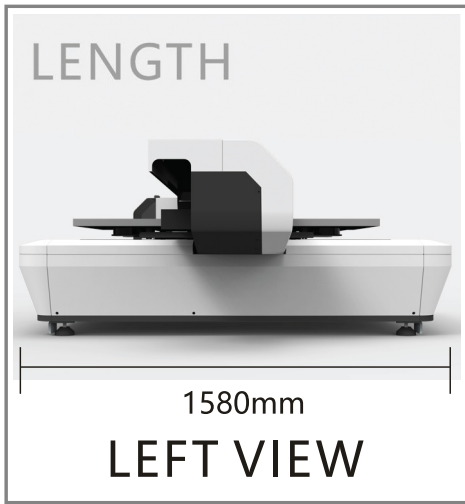
Mini Flatbed UV Inkjet Printer



XAAR®

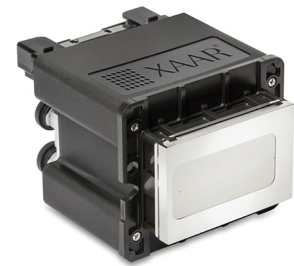
UV  
LED





### Specification

Printhead	XAAR 1201 (3 units)
Spraying Range	2 - 13mm (Printhead to Print Surface)
Resolution	Max 2400dpi
Color	CMYK+White+Vanish
Ink	UV Curable
Printing Area	600mm x 900mm (CMYK+W) 600mm x 870mm (CMYK+W+V)
Printing Height	0 - 140mm (5 1/2")
Printing Diameter	Ø 30mm-80mm (NO Vanish)
RIP Software	FlexiPRINT
Interface	Ethernet
Curing System	LED UV System
Operation System	Windows 10
Voltage	AC 220~240, 50/60HZ
Temperature	20C ~ 35C
Humidity	35% ~ 65%
Dimension	1580mm(L) x1480mm(W) x 620mm(H)
Weight	170KG



**XAAR 1201 (2.5pl)**



*Optional add-on Rotary device*

**Tel. +603 9174 5969 ~ [www.kplus.com.my](http://www.kplus.com.my)**

**K Plus Machine Tech Sdn Bhd** 201601023763 (1194702-P)  
No. 14, Jalan 6/118 B, Desa Tun Razak, 56000 Kuala Lumpur, Malaysia.  
Fax. +603 9171 0383 ~ [sales@kplus.com.my](mailto:sales@kplus.com.my)