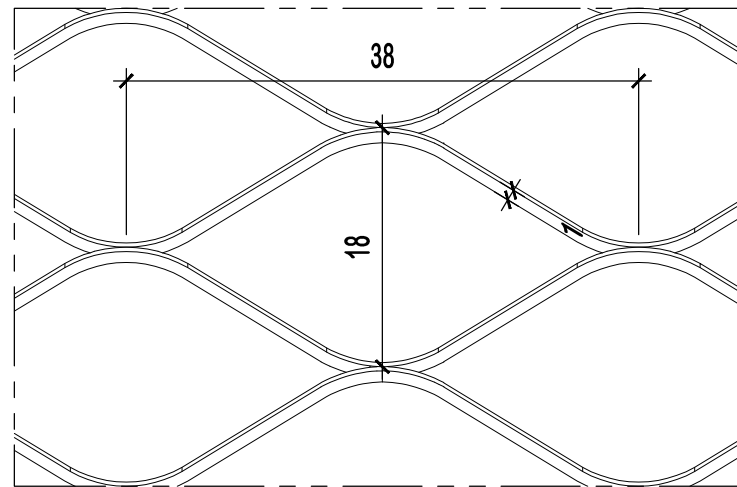
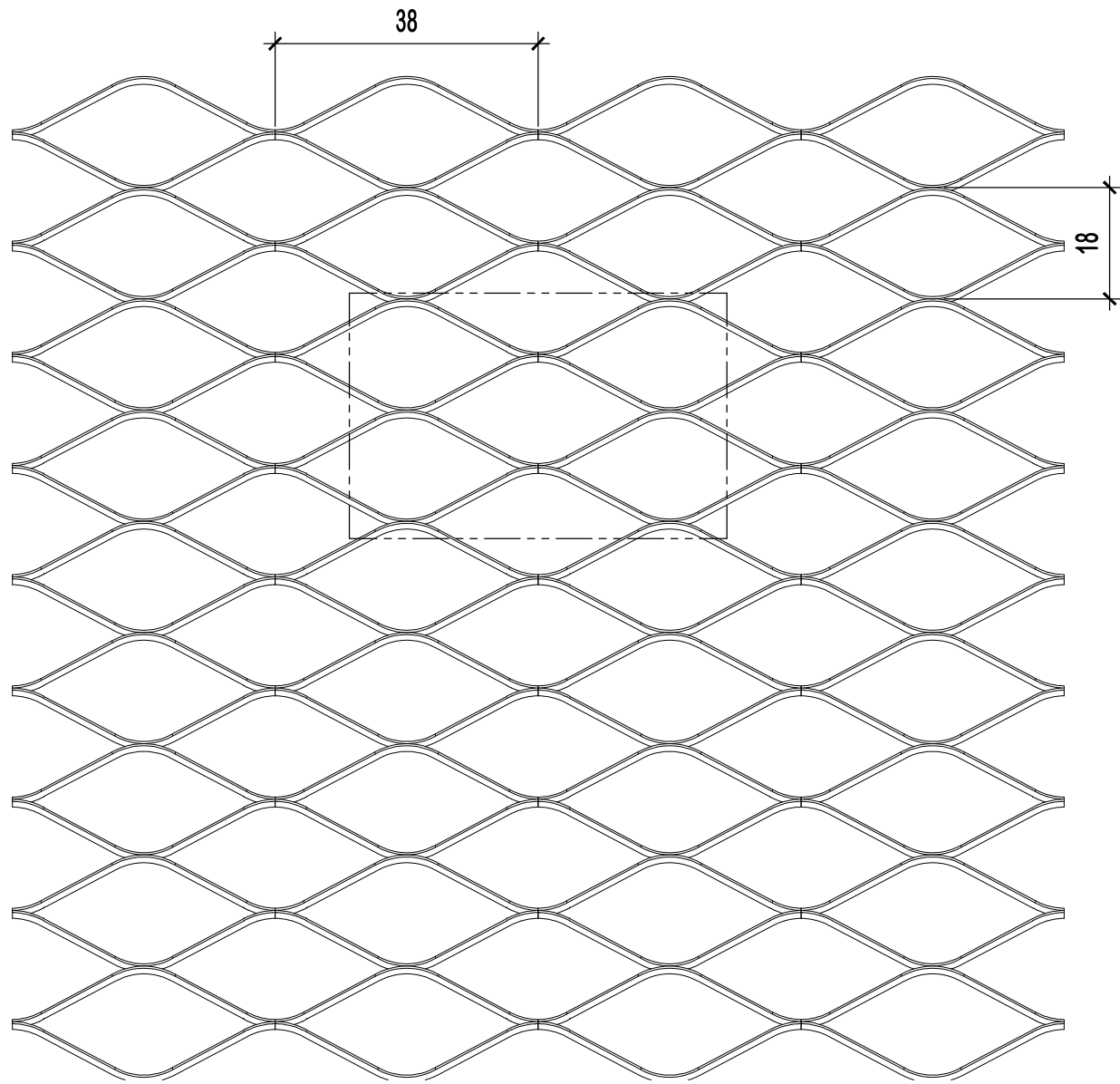




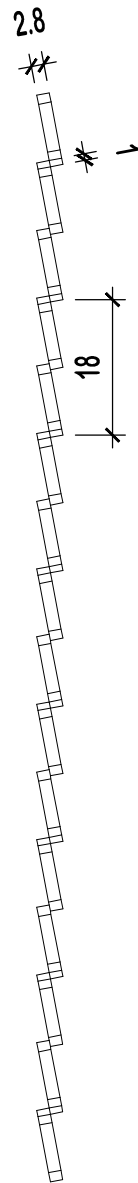
01 TOP VIEW
SCALE - N.T.S



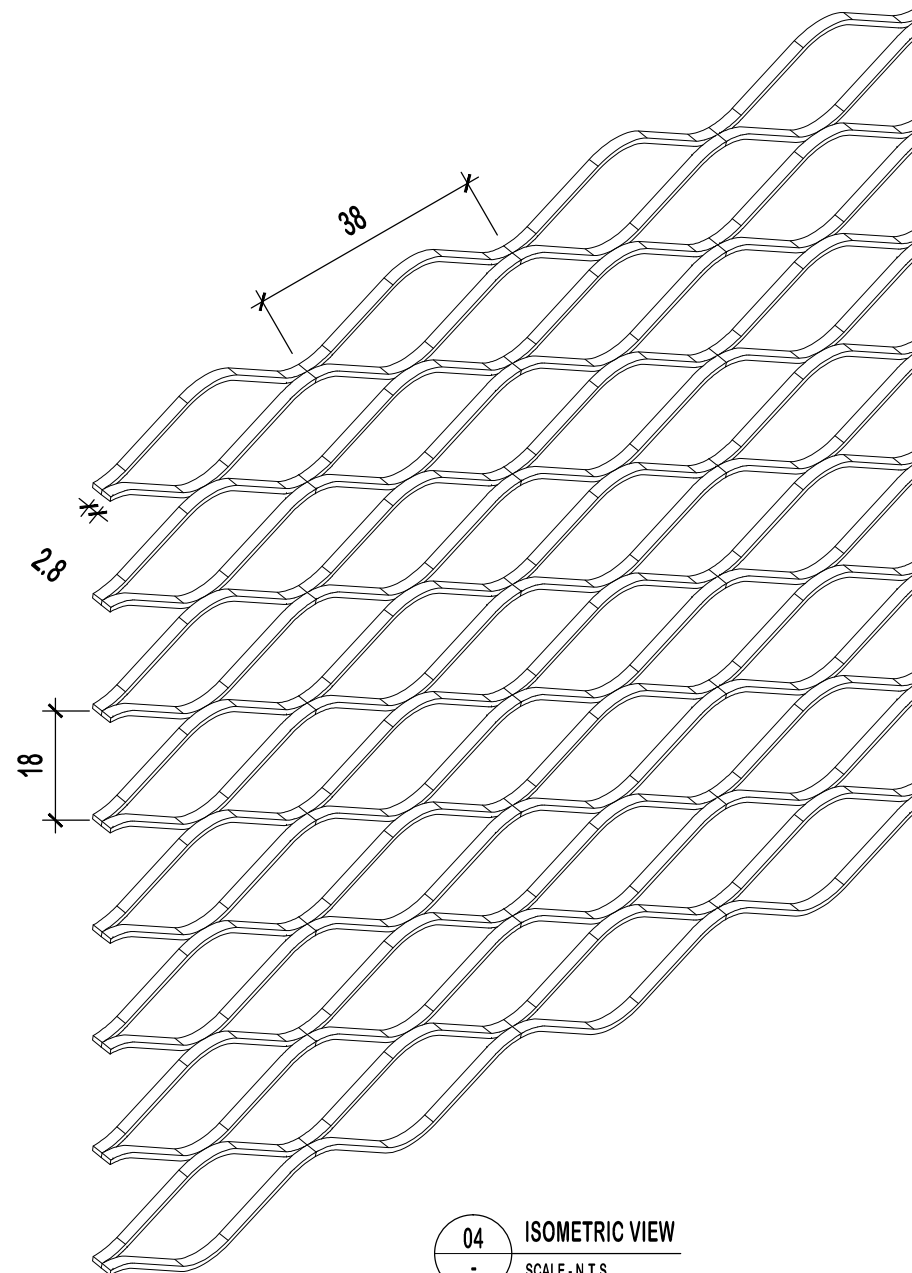
05 DETAIL A
SCALE - N.T.S



02 FRONT VIEW
SCALE - N.T.S



03 SIDE VIEW
SCALE - N.T.S



04 ISOMETRIC VIEW
SCALE - N.T.S

DETAIL DRAWING

PROJECT TITLE :

**SP.ace
PROFILE SCREEN
(SERIES MAPLE 1803)**

CONTRACTOR :

ARCHITECT/INTERIOR DESIGNER :

DRAWING TITLE :

DRAWN BY :	MAN
DATE :	12.10.2017
CHECKED BY :	KC
SCALE :	N.T.S

DRAWING NO. :