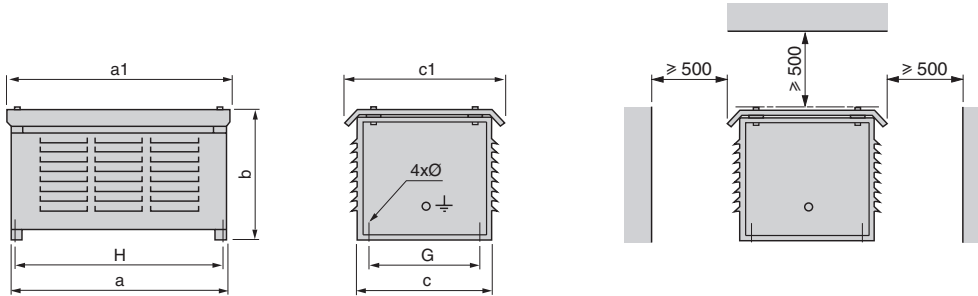


Hoist resistors

VW3 A7 801...804, 807...809

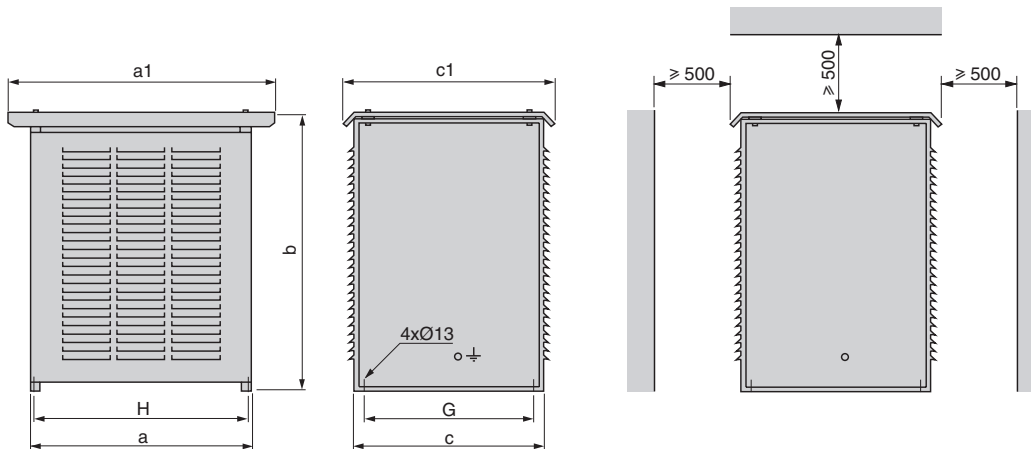
Mounting recommendations



VW3	a	a1	b	c	c1	G	H	Ø
A7 801	490	452	203.5	153	202	95	470	10
A7 802	420	450	440	480	540	400	392	13
A7 803	580	610	440	480	540	400	552	13
A7 804	960	990	440	480	540	400	932	13
A7 807	860	890	440	480	540	400	832	13
A7 808	860	890	690	480	540	400	832	13
A7 809	860	890	690	480	450	400	832	13

VW3 A7 805, 806, 810...817 (1)

Mounting recommendations



VW3	a	a1	b	c	c1	G	H
A7 805	860	1040	1150	540	620	460	832
A7 806	860	1040	1150	740	820	660	832
A7 810	860	1040	1150	540	620	460	832
A7 811	960	1140	1150	540	620	460	932
A7 812	960	1140	1150	740	820	660	932
A7 813 (1)	960	1140	1150	540	620	460	932
A7 814 (1)	960	1140	1150	540	620	460	932
A7 815 (1)	960	1140	1150	740	820	660	932
A7 816 (1)	960	1140	1150	740	820	660	932
A7 817 (1)	960	1140	1700	740	820	660	932

(1) The dimension is given for 1 component.

Catalog numbers VW3 A7 813...815 consist of 2 components and catalog numbers VW3 A7 816 and 817 consist of 3 components; all components must be taken into account to determine the overall dimensions. A space of 300 mm must be left between each component.