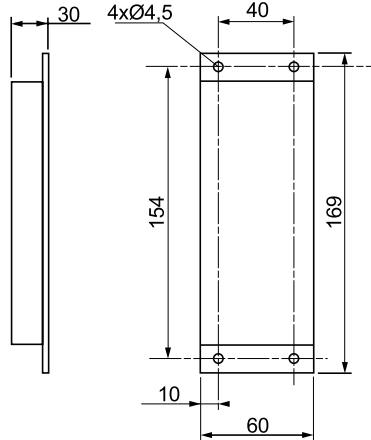
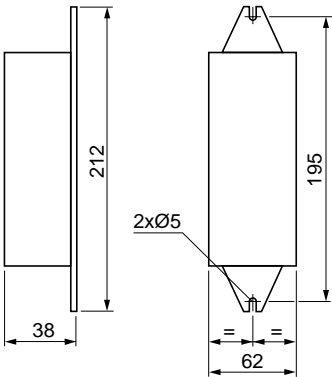




VW3 A58703

VW3 A58702, VW3 A58704



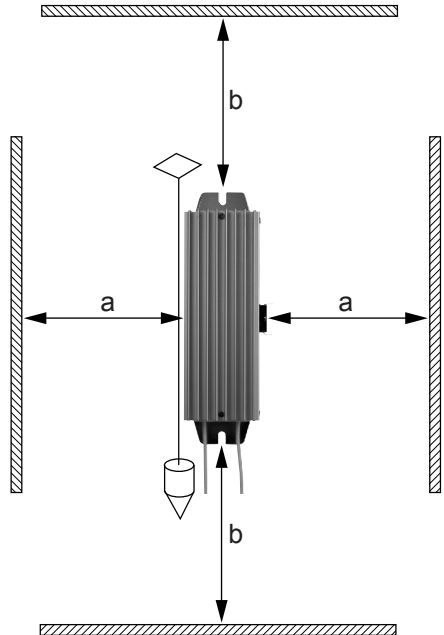
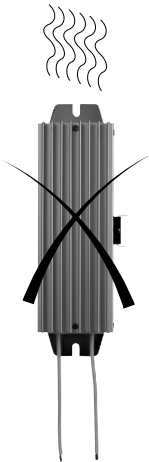
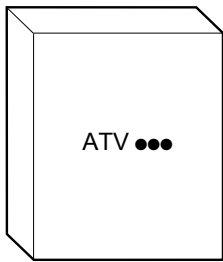
1 inch = 25,4 mm

| | | |
|--------------|------------|--------------|
| IP 00 | VW3 A58702 | 100 Ω - 32 W |
| | VW3 A58703 | 100 Ω - 40 W |
| | VW3 A58704 | 68 Ω - 32 W |

W9 1493677 01 12 A02

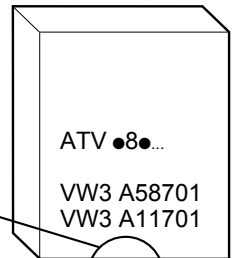
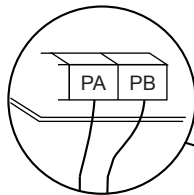


0 01 49367 71202 4



$a \geq 50 \text{ mm (1,97 in.)}$
 $b \geq 100 \text{ mm (3,94 in.)}$

VW3 A58702, 58703, 58707



400 V \equiv ATV ●●...F/M●
 800 V \equiv ATV ●●...N4