

ROUND BASE MAGNETS™

PM

VERSATILE MULTI-PURPOSE, HOLDING, ANCHORING & CLAMPING POT MAGNET

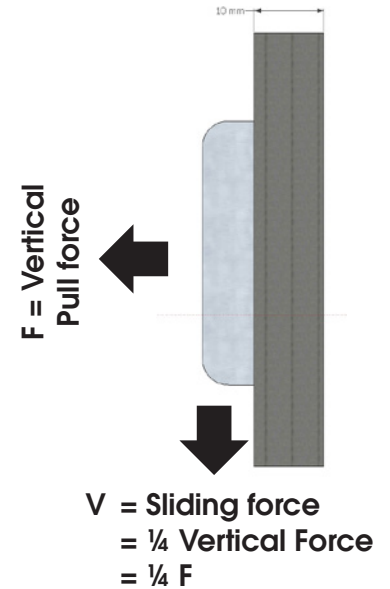
FEATURES

- Compact & Lightweight powerful pot magnet, ideal for absolutely any clamping application.
- An invaluable fixturing tool for fabricators and engineers who may be looking for attractive mechanism to clamp any item to a steel base.
- Hang various tools & equipment overhead without need for welding any temporary hooks.
- Fabricate your own unique clamping solution.
- Clamping force from 4 to 160 Kg (on 50mm thick MS Plate).
- Suitable for application upto 80Deg C only.

Instructions :

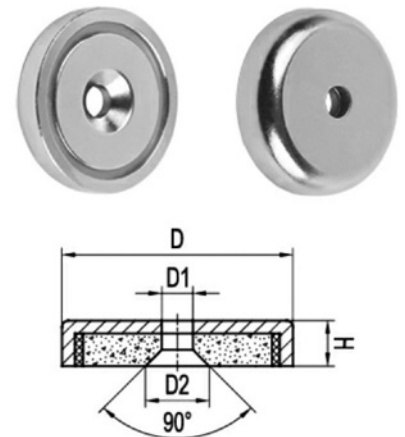
The adhesive force indicated for each part are under ideal conditions and refer to the Vertical pulling force on a 10mm thick mild steel grinded finish wall. Sliding forces are typically a quarter of Vertical forces. Thinner steel walls or platforms will also derate the pulling forces.

Therefore you should design your application suitably, taking account of the forces in play. For eg., you will fail trying to hang a bucket of water weighing 37 kgs using an RBM NA-42 (37 Kg Adhesive force) from a 10mm thick steel wall. The NA-42 has only about 9 Kgs Sliding force resistance (37/4 Kg). You should try using the NA-75 (162/4) or 4 units of NA42 (4 x 37/4) instead.



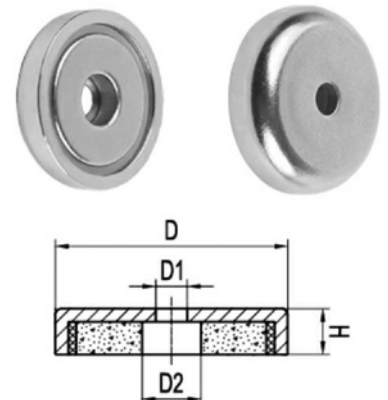
RBM-NA : Round Base Magnet with Countersunk Hole

Type	D	D1	D2	H	Weight (gms)	Adhesive Force (kg)
RBM-NA16	16	3.5	6.5	5.5	7	5
RBM-NA20	20	4.5	8.6	7.2	15	6
RBM-NA25	25	5.5	10.4	7.7	24	14
RBM-NA32	32	5.5	10.4	7.8	39	25
RBM-NA36	36	6.5	12	7.6	50	29
RBM-NA42	42	6.5	12	8.8	77	37
RBM-NA48	48	8.5	16	10.8	120	68
RBM-NA60	60	8.5	16	15	243	112
RBM-NA75	75	10.5	19	17.8	480	162



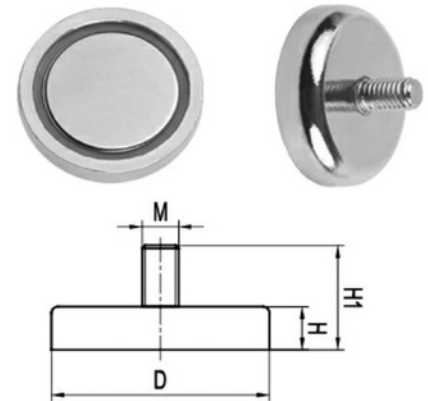
RBM-NB : Round Base Magnet with Cap Screw Hole

Type	D	D1	D2	H	Weight (gms)	Adhesive Force (kg)
RBM-NB16	16	3.5	6.5	5.2	6.5	4
RBM-NB20	20	4.5	8	7.2	13	6
RBM-NB25	25	5.5	9	7.7	22	14
RBM-NB32	32	5.5	9	7.8	38	23
RBM-NB36	36	6.5	11	7.6	48	29
RBM-NB42	42	6.5	11	8.8	75	32
RBM-NB48	48	8.5	15	10.8	114	63
RBM-NB60	60	8.5	15	15	235	95
RBM-NB75	75	10.5	18	17.8	460	155



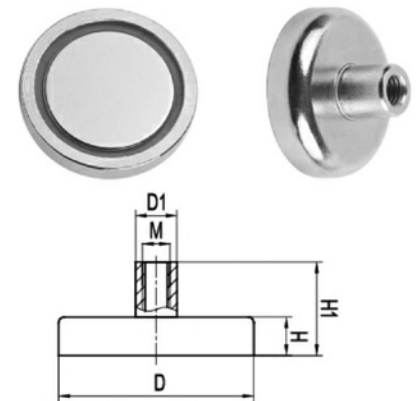
RBM-NC : Round Base Magnet with Bolt

Type	D	M	H1	H	Weight (gms)	Adhesive Force (kg)
RBM-NC10	10	3	12	5	3.5	2.2
RBM-NC12	12	3	12	5	5	3.2
RBM-NC16	16	4	14	5.2	9	5.5
RBM-NC20	20	4	16	7.2	16	9
RBM-NC25	25	5	17	7.7	26	22
RBM-NC32	32	6	18	7.1	43	34
RBM-NC36	36	6	17.6	7.6	54	41
RBM-NC42	42	6	18.7	8.8	83	68
RBM-NC48	48	8	24	10.8	130	81
RBM-NC60	60	8	31.5	15	256	113
RBM-NC75	75	10	35	17.8	510	164



RBM-ND : Round Base Magnet with Stud

Type	D	D1	M	H1	H	Weight (gms)	Adhesive Force (kg)
RBM-ND10	10	6	3	12	5	4	2.2
RBM-ND12	12	6	3	12	5	6	3.2
RBM-ND16	16	6.5	4	13.5	5.2	9	5.5
RBM-ND20	20	6.5	4	15	7.2	17	9
RBM-ND25	25	7.5	5	17	7.7	28	22
RBM-ND32	32	10	6	18	7.8	45	34
RBM-ND36	36	10	6	18.5	7.6	55	41
RBM-ND42	42	10	6	18.8	8.8	84	68
RBM-ND48	48	12	8	24	10.8	130	81
RBM-ND60	60	12	8	28	15	263	113
RBM-ND75	75	17	10	35	17.8	515	164



RBM-NE : Round Base Magnet with Hook

Type	D	M	H1	H	L	Weight (gms)	Adhesive Force (kg)
RBM-NE10	10	3	27	6	6	6	2.2
RBM-NE12	12	3	27	5	6	8	3.2
RBM-NE16	16	4	14	5	7.5	11	5.5
RBM-NE20	20	4	14	7	7.5	21	9
RBM-NE25	25	5	32	7.7	8.5	33	22
RBM-NE32	32	6	36	7.8	10	54	34
RBM-NE36	36	6	36	7.8	10	64	41
RBM-NE42	42	6	31	8.8	10	93	68
RBM-NE48	48	8	45	10.8	11	150	81
RBM-NE60	60	8	50	15	11	283	113
RBM-NE75	75	10	62	17.8	16	555	164

