

Cartridge Kit for Vane Pump HT6 and HT7 Series

Features and Handling

• The HT Series cartridge kit is interchangeable with DENISON. The balanced design and double lip vane technology are key features in providing a contamination resistant and reliable cartridge kit. High pressure and variable speed capabilities, extremely low noise make this fluid power source ideal for all kind of applications.

With these exceeding high qualities, our HT Series cartridges have satisfied many OEM clients around the world for more than 40 years.



Specifications :

Cartridge Kit HT7B for single pump, double pump and triple pump

Delivery at 1200 r/min & 7 bar (100 psi)	Displacement	Min. Speed	Max. Speed	Max. Pressure	Typical Delivery at max speed & pressure	Typical Input Power at max speed & pressure	Weight		
USgpm	cm ³ /r 1(in ³ /r)	rpm	rpm	bar (psi)	L/min (USgpm)	kW (hp)	kg (lb)		
002	5.8 (0.35)	600	3600	320 (4640)	10.5 (2.77)	11.0 (14.77)	4.1 (9.0)		
003	9.8 (0.59)				26.5 (7.00)	18.6 (24.89)			
004	12.8 (0.78)				37.2 (9.83)	24.5 (32.91)			
005	15.9 (0.97)				48.4 (12.78)	30.5 (40.92)			
006	19.8 (1.20)				64.3 (17.00)	37.8 (50.63)			
007	22.5 (1.37)				73.0 (19.28)	43.1 (57.80)			
008	24.9 (1.51)				78.8 (20.83)	47.5 (63.71)			
009	28.0 (1.70)				89.7 (23.71)	53.5 (71.72)			
010	31.8 (1.94)				105.9 (27.99)	61.1 (81.85)			
011	35.0 (2.13)				3000	300 (4350)		98.4 (25.99)	52.4 (70.20)
012	41.0 (2.50)							125.3 (33.11)	61.5 (82.40)
014	45.0 (2.74)							129.9 (34.33)	67.4 (90.31)
015	50.0 (3.05)							280 (4060)	151.3 (39.96)

Cartridge Kit for Vane Pump HT6 and HT7 Series

Cartridge Kit HT6C for single pump, double pump and triple pump

Delivery at 1200 r/min & 7 bar (100 psi)	Displacement	Min. Speed	Max. Speed	Max. Pressure	Typical Delivery at max speed & pressure	Typical Input Power at max speed & pressure	Weight
USgpm	cm ³ /r 1(in ³ /r)	rpm	rpm	bar (psi)	L/min (USgpm)	kW (hp)	kg (lb)
003	10.8 (0.66)	600	2800	275 (4000)	21.3 (5.64)	13.9 (18.67)	4.0 (8.8)
005	17.2 (1.05)				29.3 (7.73)	22.2 (29.7)	
006	21.3 (1.30)				43.3 (11.45)	27.4 (36.77)	
008	26.4 (1.61)				55.1 (14.57)	34.0 (45.54)	
010	34.1 (2.08)				80.2 (21.18)	43.9 (54.84)	
012	37.1 (2.26)				80.8 (21.35)	47.7 (63.93)	
014	46.0 (2.81)				112.2 (29.63)	59.3 (79.49)	
017	58.3 (3.56)		154.6 (40.84)		75.1 (100.70)		
020	63.8 (3.89)		159.1 (42.04)		82.1 (110.04)		
022	70.3 (4.29)		158.9 (41.98)		80.8 (108.35)		
025	79.3 (4.84)		180.4 (47.66)		91.2 (122.24)		
028	88.8 (5.42)		207.6 (54.85)		76.6 (102.67)		
031	100.0 (6.10)		239.6 (63.30)		86.2 (115.55)		
			2500		206 (3000)		

Cartridge Kit HT6D for single pump, double pump and triple pump

Delivery at 1200 r/min & 7 bar (100 psi)	Displacement	Min. Speed	Max. Speed	Max. Pressure	Typical Delivery at max speed & pressure	Typical Input Power at max speed & pressure	Weight		
USgpm	cm ³ /r 1(in ³ /r)	rpm	rpm	bar (psi)	L/min (USgpm)	kW (hp)	kg (lb)		
014	47.6 (2.90)	600	2500	240 (3500)	94.4 (24.94)	47.8 (64.09)	7.8 (17.1)		
017	58.2 (3.55)				137.6 (36.36)	58.5 (78.45)			
020	66.0 (4.03)				140.0 (36.99)	66.4 (89.06)			
024	79.5 (4.85)				175.8 (46.46)	80.0 (107.18)			
028	89.7 (5.47)				198.5 (51.73)	90.2 (120.89)			
031	98.3 (6.00)				215.8 (57.00)	98.9 (132.60)			
035	111.0 (6.77)				247.4 (65.37)	111.6 (149.61)			
038	120.3 (7.34)				270.5 (71.47)	121.0 (162.21)			
042	136.0 (8.30)				278.9 (73.69)	120.4 (161.42)			
045	145.7 (8.89)				300.7 (79.43)	129.0 (172.89)			
050	158.0 (9.64)				324.3 (85.67)	119.9 (160.69)			
			2200		206 (3000)				

Cartridge Kit for Vane Pump HT6 and HT7 Series

Cartridge Kit HT6E for single pump, double pump and triple pump

Delivery at 1200 r/min & 7 bar (100 psi)	Displacement	Min. Speed	Max. Speed	Max. Pressure	Typical Delivery at max speed & pressure	Typical Input Power at max speed & pressure	Weight
USgpm	cm ³ /r 1(in ³ /r)	rpm	rpm	bar (psi)	L/min (USgpm)	kW (hp)	kg (lb)
042	132.3 (8.07)	600	2200	240 (3500)	259.5 (68.56)	117.1 (156.94)	11.8 (26.0)
045	142.4 (8.70)				283.4 (74.87)	126.2 (169.19)	
050	158.5 (9.67)				319.0 (84.28)	140.3 (188.06)	
052	164.8 (10.00)				331.1 (87.49)	145.1 (194.48)	
062	196.7 (12.00)				403.7 (106.65)	174.1 (233.37)	
066	213.3 (13.00)				448.3 (118.45)	188.6 (252.82)	
072	227.1 (13.86)				468.4 (123.76)	201.1 (269.54)	

Cartridge Kit HT7D for single pump, double pump and triple pump

Delivery at 1200 r/min & 7 bar (100 psi)	Displacement	Min. Speed	Max. Speed	Max. Pressure	Typical Delivery at max speed & pressure	Typical Input Power at max speed & pressure	Weight
USgpm	cm ³ /r 1(in ³ /r)	rpm	rpm	bar (psi)	L/min (USgpm)	kW (hp)	kg (lb)
014	47.6 (2.90)	600	3000	300 (4350)	104.7 (27.65)	65.9 (88.33)	7.8 (17.1)
017	58.2 (3.55)				155.9 (41.18)	82.4 (110.42)	
020	66.0 (4.03)				168.0 (44.39)	99.1 (132.83)	
022	70.0 (4.27)				189.8 (50.15)	105.0 (140.74)	
024	79.5 (4.85)				215.4 (56.90)	121.7 (163.15)	
028	89.7 (5.47)				235.8 (62.30)	135.0 (180.95)	
031	98.3 (6.00)				261.1 (68.97)	148.8 (199.41)	
035	111.0 (6.77)		2800	280 (4060)	283.3 (74.84)	148.2 (198.69)	
038	120.3 (7.34)				303.8 (80.26)	157.6 (211.32)	
042	136.0 (8.30)				320.4 (84.65)	149.0 (199.72)	
045	145.7 (8.89)		2200	240 (3500)	300.7 (79.43)	129.0 (172.89)	
050	158.0 (9.64)				206 (3000)	119.9 (160.69)	

Cartridge Kit for Vane Pump HT6 and HT7 Series

Cartridge Kit HT7E for single pump, double pump and triple pump

Delivery at 1200 r/min & 7 bar (100 psi)	Displacement	Min. Speed	Max. Speed	Max. Pressure	Typical Delivery at max speed & pressure	Typical Input Power at max speed & pressure	Weight
USgpm	cm ³ /r 1(in ³ /r)	rpm	rpm	bar (psi)	L/min (USgpm)	kW (hp)	kg (lb)
042	132.3 (8.07)	600	2200	240 (3500)	259.5 (68.56)	117.1 (156.94)	11.8 (26.0)
045	142.4 (8.70)				283.4 (74.87)	126.2 (169.19)	
050	158.5 (9.67)				319.0 (84.28)	140.3 (188.06)	
052	164.8 (10.00)				331.1 (87.49)	145.1 (194.48)	
054	173.8 (10.60)				352.8 (93.21)	153.8 (206.15)	
057	180.7 (11.02)				370.1 (97.77)	159.9 (214.31)	
062	196.7 (12.00)				403.7 (106.65)	174.1 (233.37)	
066	213.3 (13.00)				448.3 (118.45)	188.6 (252.82)	
072	227.1 (13.86)				468.4 (123.76)	201.1 (269.54)	
085	269.8 (16.40)				2000	90 (1300)	

Cartridge Kit for Vane Pump HT6 and HT7 Series

Cartridge Kit HT6CM, P, R for single pump, double pump and triple pump

Delivery at 1200 r/min & 7 bar (100 psi)	Displacement	Min. Speed	Max. Speed	Max. Pressure	Typical Delivery at max speed & pressure	Typical Input Power at max speed & pressure	Weight
USgpm	cm ³ /r 1(in ³ /r)	rpm	rpm	bar (psi)	L/min (USgpm)	kW (hp)	kg (lb)
003	10.8 (0.66)	400	2800	275 (4000)	21.3 (5.64)	13.9 (18.67)	4.0 (8.8)
005	17.2 (1.05)				29.3 (7.73)	22.2 (29.7)	
006	21.3 (1.30)				43.3 (11.45)	27.4 (36.77)	
008	26.4 (1.61)				55.1(14.57)	34.0 (45.54)	
010	34.1 (2.08)				80.2 (21.18)	43.9 (54.84)	
012	37.1 (2.26)				80.8 (21.35)	47.7 (63.93)	
014	46.0 (2.81)				112.2 (29.63)	59.3 (79.49)	
017	58.3 (3.56)				154.6 (40.84)	75.1 (100.70)	
020	63.8 (3.89)				159.1 (42.04)	82.1 (110.04)	
022	70.3 (4.29)				158.9 (41.98)	80.8 (108.35)	
025	79.3 (4.84)				180.4 (47.66)	91.2 (122.24)	
028	88.8 (5.42)				207.6 (54.85)	76.6 (102.67)	
031	100.0 (6.10)				239.6 (63.30)	86.2 (115.55)	
					2500	206 (3000)	

Cartridge Kit for Vane Pump HT6 and HT7 Series

Cartridge Kit HT6DM, P, R for single pump, double pump and triple pump

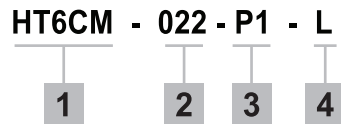
Delivery at 1200 r/min & 7 bar (100 psi)	Displacement	Min. Speed	Max. Speed	Max. Pressure	Typical Delivery at max speed & pressure	Typical Input Power at max speed & pressure	Weight
USgpm	cm ³ /r 1(in ³ /r)	rpm	rpm	bar (psi)	L/min (USgpm)	kW (hp)	kg (lb)
014	47.6 (2.90)	400	2500	240 (3500)	94.4 (24.94)	47.8 (64.09)	7.8 (17.1)
017	58.2 (3.55)				137.6 (36.36)	58.5 (78.45)	
020	66.0 (4.03)				140.0 (36.99)	66.4 (89.06)	
024	79.5 (4.85)				175.8 (46.46)	80.0 (107.18)	
028	89.7 (5.47)				198.5 (51.73)	90.2 (120.89)	
031	98.3 (6.00)				215.8 (57.00)	98.9 (132.60)	
035	111.0 (6.77)				247.4 (65.37)	111.6 (149.61)	
038	120.3 (7.34)				270.5 (71.47)	121.0 (162.21)	
042	136.0 (8.30)				278.9 (73.69)	120.4 (161.42)	
045	145.7 (8.89)				300.7 (79.43)	129.0 (172.89)	
050	158.0 (9.64)	2200	206 (3000)	324.3 (85.67)	119.9 (160.69)		

Cartridge Kit HT6EM, P, R for single pump, double pump and triple pump

Delivery at 1200 r/min & 7 bar (100 psi)	Displacement	Min. Speed	Max. Speed	Max. Pressure	Typical Delivery at max speed & pressure	Typical Input Power at max speed & pressure	Weight
USgpm	cm ³ /r 1(in ³ /r)	rpm	rpm	bar (psi)	L/min (USgpm)	kW (hp)	kg (lb)
042	132.3 (8.07)	600	2200	240 (3500)	259.5 (68.56)	117.1 (156.94)	12.1 (26.6)
045	142.4 (8.70)				283.4 (74.87)	126.2 (169.19)	
050	158.5 (9.67)				319.0 (84.28)	140.3 (188.06)	
052	164.8 (10.00)				331.1 (87.49)	145.1 (194.48)	
062	196.7 (12.00)				403.7 (106.65)	174.1 (233.37)	
066	213.3 (13.00)				448.3 (118.45)	188.6 (252.82)	
072	227.1 (13.86)				468.4 (123.76)	201.1 (269.54)	

Cartridge Kit for Vane Pump HT6 and HT7 Series

Ordering Code



1. Model :

Industrial - HT6C, HT6D, HT6E, HT7B, HT7BS, HT7D, HT7DS, HT7E, HT7ES, HT6CR, HT6DR, HT6ER, HT6CC, HT6CCW, HT6DC, HT6DCW, HT6EC, HT6ED, HT7EDS, HT7BB, HT7BBS, HT67CB, HT67DB, HT7DB, HT7EB, HT7EBS, HT6DCC, HT6DCB, HT6DBB, HT6EDC, HT6EDB, HT7DD, HT7DDC, HT7EE, HT7EEC

Mobile - HT6CM, HT6DM, HT6EM, HT6CRM, HT6DRM, HT6ERM, HT6CP, HT6DP, HT6EP, HT6CCM, HT6CCMW, HT6CCP, HT6DCM, HT6DCMW, HT6DCP, HT6DDM, HT6EM, HT6ECP, HT6EDM, HTDCCM, HT6DDCM.

2. Ring size (USgpm)

7B - 002, 003, 004, 005, 006, 007, 008, 009, 010, 011, 012, 014, 015

- E03, E04, E05, E06, E07, E08, E09, E10, E11, E12, E14, E15 (Variable Speed)

6C - 003, 005, 006, 008, 010, 012, 014, 017, 020, 022, 025, 028, 031
(Except HT6CP only use 014-031)

6D - 014, 017, 020, 024, 028, 031, 035, 038, 042, 045, 050

7D - 014, 017, 020, 022, 024, 028, 031, 035, 038, 042, 045, 050

- E14, E17, E20, E22, E24, E28, E31, E35, E38, E42 (Variable Speed)

6E - 042, 045, 050, 052, 062, 066, 072

7E - 042, 045, 050, 052, 054, 057, 062, 066, 072, 085

3. Cartridge Position

- P1 - For single pump or shaft end in double pump and triple pump
- P2 - For cover end in double pump and middle in triple pump
- P3 - For cover end in triple pump

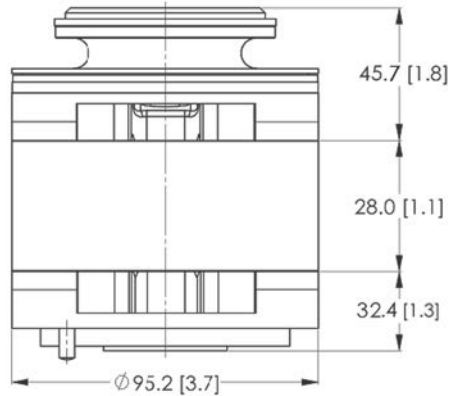
4. Shaft Rotation (Viewed from shaft end)

- R - Turn right
- L - Turn left

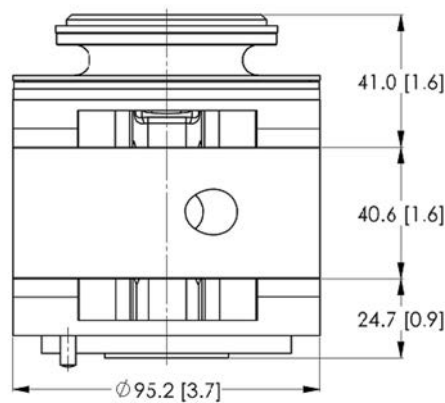
Cartridge Kit for Vane Pump HT6 and HT7 Series

Installation Dimension mm (inch)

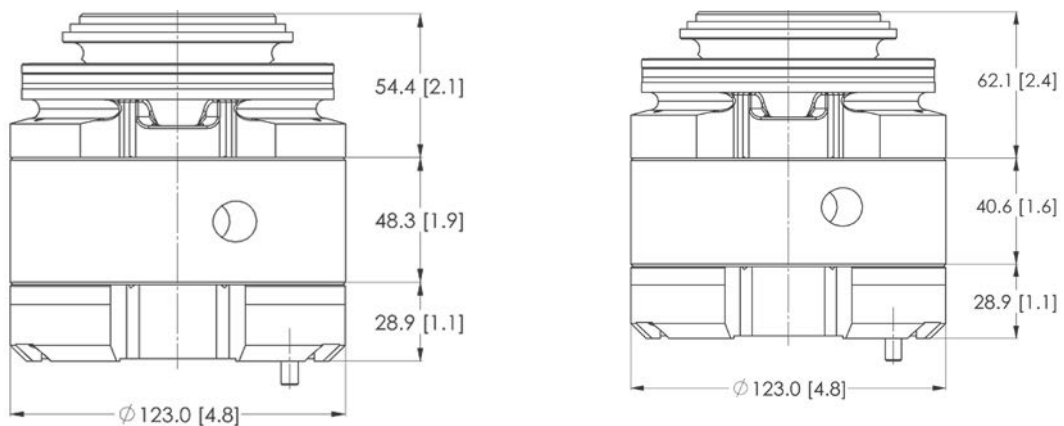
Cartridge Kit HT7B



Cartridge Kit HT6C, M, P, R



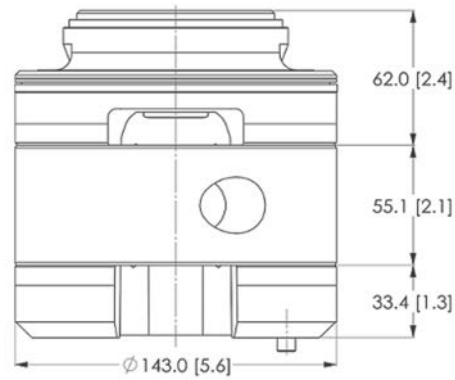
Cartridge Kit HT6D, M, P, R, HT7D



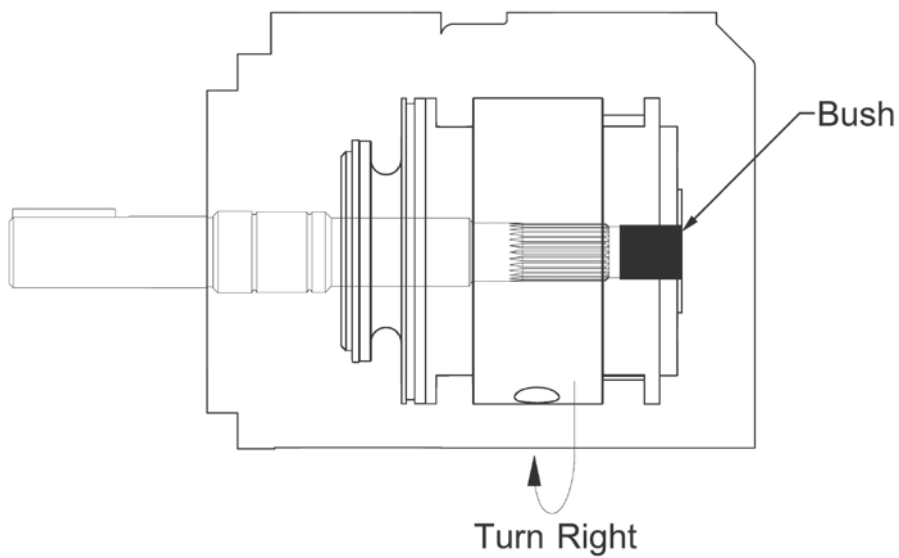
For HT7D, HT67D only

Cartridge Kit for Vane Pump HT6 and HT7 Series

Cartridge Kit HT6E, M, P, R, HT7E

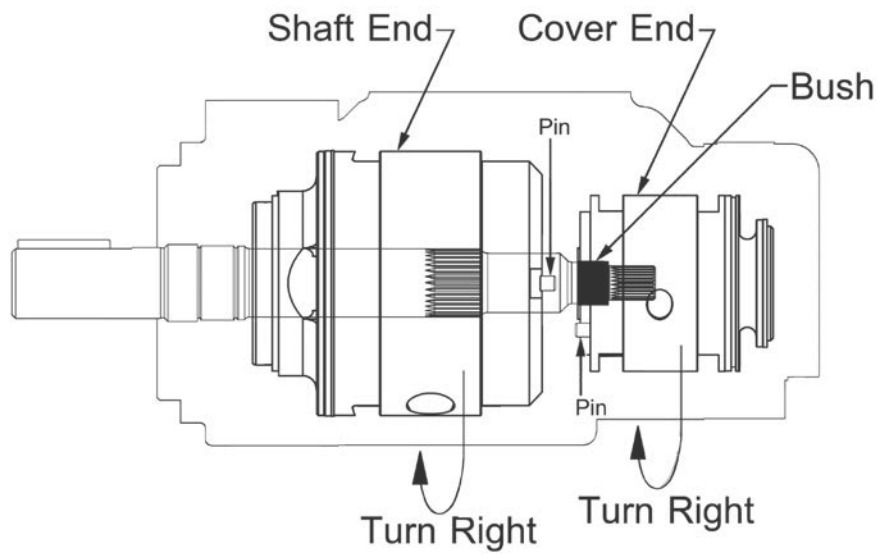


Cartridge Kit HT Series : Single pump

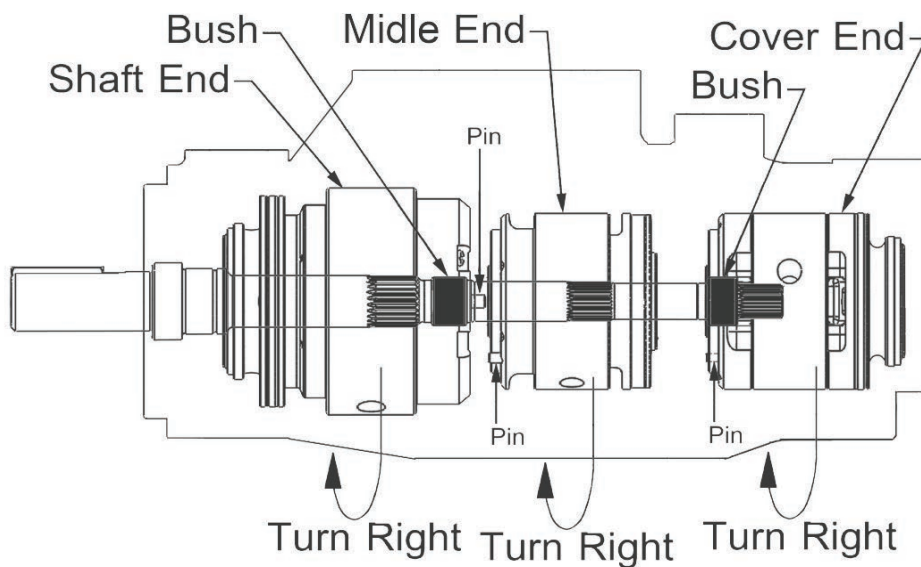


Cartridge Kit for Vane Pump HT6 and HT7 Series

Cartridge Kit HT Series : Double pump



Cartridge Kit HT Series : Triple pump



Cartridge Kit for Vane Pump HT6 and HT7 Series

Cartridge Kit Components (HT Series)

